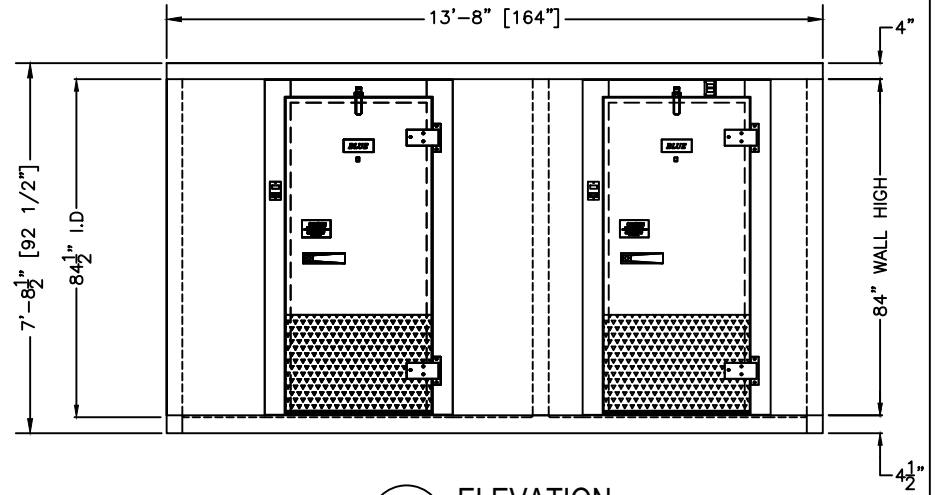
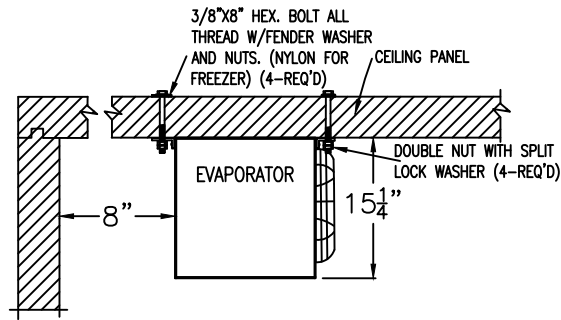


COOLER
(WITH FLOOR PANELS)

FREEZER
(WITH FLOOR PANELS)



1 ELEVATION
SCALE: 1/4"=1'-0"



EVAPORATOR MOUNTING DETAIL
(MOUNTING HARDWARE
BY OTHERS)

RIGHT HAND DOOR SHOWN
SELECT HINGE SIDE FOR DOORS
COOLER FREEZER

RIGHT HAND RIGHT HAND

LEFT HAND LEFT HAND

| PRODUCT SPECIFICATIONS | | |
|-------------------------------------|---|--------------|
| MODEL: | BL146-COMBO-CF-R | |
| WALK-IN SPECIFICATIONS | | |
| INTERIOR/EXTERIOR FINISH | 26 GAUGE MILL EMBOSSED ACRYLUME OR 26 GAUGE STUCCO EMBOSSED GALVANIZED STEEL | |
| ELECTRICAL (VOLTS/Hz/PH) | 115/60/1 | |
| MAX AMP. | 0.8 COOLER & 2.2 FREEZER | |
| EVAPORATOR SPECIFICATIONS | COOLER | FREEZER |
| ELECTRICAL (VOLTS/Hz/PH) | 115/60/1 | 230/60/1 |
| AMPS | 20 | 15 |
| WEIGHT (LBS) | 44 | 47 |
| CONDENSING UNIT SPECIFICATIONS | COOLER | FREEZER |
| ELECTRICAL (VOLTS/Hz/PH) | 208-230/60/1 | 208-230/60/1 |
| AMPS | 15 | 25 |
| WEIGHT (LBS) | 152 | 230 |
| FREIGHT INFORMATION (REF. INCLUDED) | | |
| TOTAL SHIPPING WEIGHT (LBS) | 2,378 | |
| MAXIMUM PALLET SIZE | 48"W X 96"L X 102"H | |
| NUMBERS OF PALLETS | 2 | |

MODEL: BL146-COMBO-CF-R

INDOOR-WITH FLOOR

COOLER 35°F / FREEZER -10°F

REMOTE PRE-ASSEMBLED REFRIGERATION

CUSTOMER APPROVAL

DATE: _____

SIGNATURE: _____

CONFIDENTIAL

THE DRAWINGS, TECHNICAL DATA, AND ALL OTHER INFORMATION SET FORTH IN THIS DOCUMENT COMPRISE TRADE SECRETS AND CONFIDENTIAL INFORMATION THAT IS THE EXCLUSIVE PROPERTY OF ARCTIC INDUSTRIES, LLC.

USE OF SUCH INFORMATION IS LIMITED TO THE PURPOSE FOR WHICH IT WAS PROVIDED AND NO RECIPIENT IS PERMITTED TO USE, COPY, OR DISCLOSE SUCH INFORMATION EXCEPT AS EXPRESSLY AUTHORIZED BY ARCTIC INDUSTRIES, LLC.

Arctic
WALK-IN COOLERS AND FREEZERS
MIAMI, FLORIDA
PHONE: (305) 883-5581
LOS ANGELES, CALIFORNIA
PHONE: (626) 508-0920
www.arcticwalkins.com

Intertek
CONFORMS TO
UL STR-471

Intertek
CONFORMS TO
NSF 51-D

EISA