

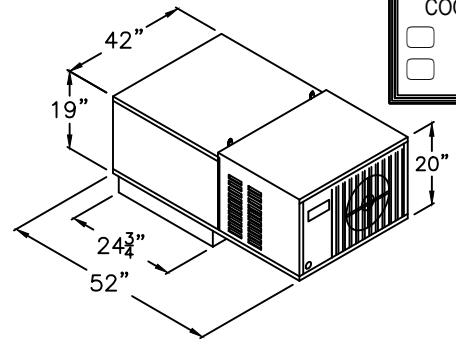
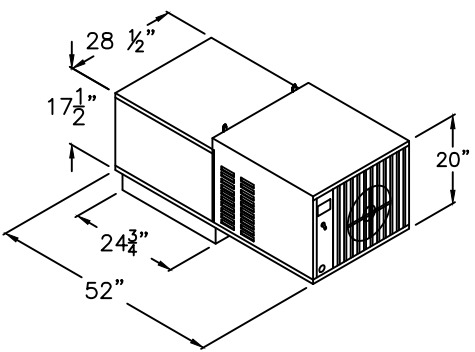
1 ELEVATION
SCALE: 1/4"=1'-0"

COOLER
(NO FLOOR PANELS)

FREEZER
(WITH FLOOR PANELS)

RIGHT HAND DOOR SHOWN
SELECT HINGE SIDE FOR DOORS
COOLER FREEZER

<input type="checkbox"/> RIGHT HAND	<input type="checkbox"/> RIGHT HAND
<input type="checkbox"/> LEFT HAND	<input type="checkbox"/> LEFT HAND



PRODUCT SPECIFICATIONS		
MODEL:	BL1610-COMBO-C-SC	
WALK-IN SPECIFICATIONS		
INTERIOR/EXTERIOR FINISH	26 GAUGE MILL EMBOSSED ACRYLUME OR 26 GAUGE STUCCO EMBOSSED GALVANIZED STEEL	
ELECTRICAL (VOLTS/Hz/PH)	115/60/1	
MAX AMP.	0.8 COOLER & 2.2 FREEZER	
SYSTEM SPECIFICATION	COOLER	FREEZER
ELECTRICAL (VOLTS/Hz/PH)	230/60/1	230/60/1
AMPS	12.3	16.7
WEIGHT (LBS)	260	275
CORD + NEMA 6-20R PLUG		
WALK-IN AND REFRIGERATION FREIGHT		
TOTAL SHIPPING WEIGHT (LBS)	2,944	
MAXIMUM PALLET SIZE	48"W X 96"L X 102"H	
NUMBERS OF PALLETS	2	

MODEL: BL1610-COMBO-C-SC
 COOLER NO FLOOR/FREEZER WITH FLOOR
 COOLER 35°F / FREEZER -10°F
 SELF-CONTAINED SYSTEM

CUSTOMER APPROVAL
 DATE: _____
 SIGNATURE: _____

CONFIDENTIAL
 THE DRAWINGS, TECHNICAL DATA, AND ALL OTHER INFORMATION SET FORTH IN THIS DOCUMENT COMPRISE TRADE SECRETS AND CONFIDENTIAL INFORMATION THAT IS THE EXCLUSIVE PROPERTY OF ARCTIC INDUSTRIES, LLC.
 USE OF SUCH INFORMATION IS LIMITED TO THE PURPOSE FOR WHICH IT WAS PROVIDED AND NO RECIPIENT IS PERMITTED TO USE, COPY, OR DISCLOSE SUCH INFORMATION EXCEPT AS EXPRESSLY AUTHORIZED BY ARCTIC INDUSTRIES, LLC.

Arctic
 WALK-IN COOLERS AND FREEZERS
 MIAMI, FLORIDA
 Phone: (305) 883-5581
 LOS ANGELES, CALIFORNIA
 Phone: (626) 508-0920





Intertek CONFIDENTIAL TO UL STD #1
 Intertek CONFIDENTIAL TO NSF STD #1