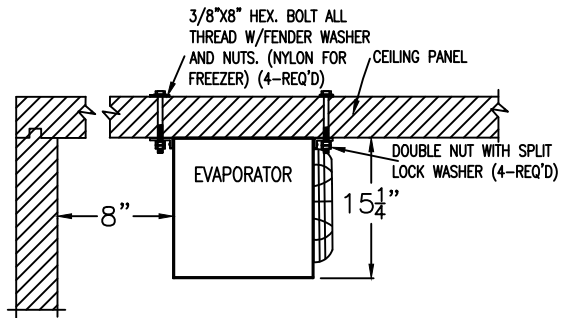


**COOLER**  
(NO FLOOR PANELS)

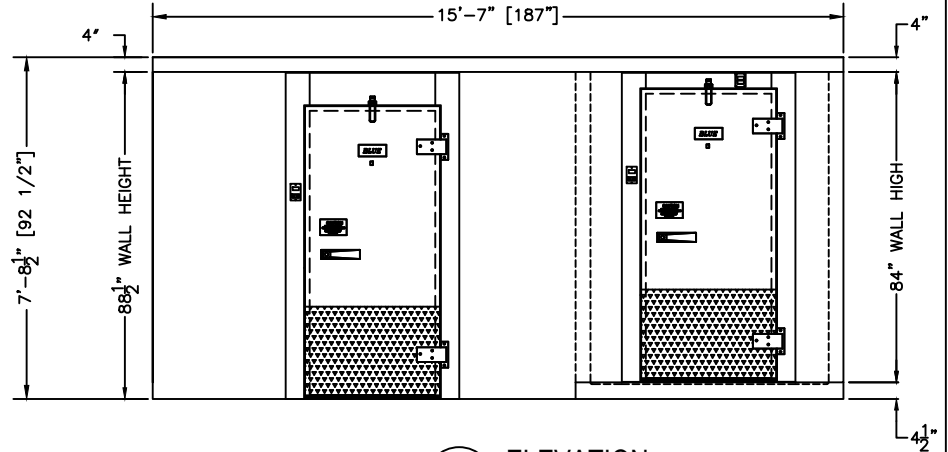
**FREEZER**  
(WITH FLOOR PANELS)



**EVAPORATOR MOUNTING DETAIL**  
(MOUNTING HARDWARE BY OTHERS)

**RIGHT HAND DOOR SHOWN**  
SELECT HINGE SIDE FOR DOORS

<input type="checkbox"/> COOLER	<input type="checkbox"/> FREEZER
<input type="checkbox"/> RIGHT HAND	<input type="checkbox"/> RIGHT HAND
<input type="checkbox"/> LEFT HAND	<input type="checkbox"/> LEFT HAND



**1 ELEVATION**  
SCALE: 1/4"=1'-0"

PRODUCT SPECIFICATIONS		
MODEL:	BL168-COMBO-C-R	
WALK-IN SPECIFICATIONS		
INTERIOR/EXTERIOR FINISH	26 GAUGE MILL EMBOSSED ACRYLUME OR 26 GAUGE STUCCO EMBOSSED GALVANIZED STEEL	
ELECTRICAL (VOLTS/Hz/PH)	115/60/1	
MAX AMP.	0.8 COOLER & 2.2 FREEZER	
EVAPORATOR SPECIFICATIONS	COOLER	FREEZER
ELECTRICAL (VOLTS/Hz/PH)	115/60/1	230/60/1
AMPS	20	15
WEIGHT (LBS)	47	47
CONDENSING UNIT SPECIFICATIONS	COOLER	FREEZER
ELECTRICAL (VOLTS/Hz/PH)	208-230/60/1	208-230/60/1
AMPS	15	25
WEIGHT (LBS)	156	230
FREIGHT INFORMATION (REF. INCLUDED)		
TOTAL SHIPPING WEIGHT (LBS)	2,631	
MAXIMUM PALLET SIZE	48"W X 96"L X 102"H	
NUMBERS OF PALLETS	2	

MODEL: BL168-COMBO-C-R  
 COOLER NO FLOOR/FREEZER WITH FLOOR  
 COOLER 35°F / FREEZER -10°F  
 REMOTE PRE-ASSEMBLED REFRIGERATION

CUSTOMER APPROVAL  
 DATE: \_\_\_\_\_  
 SIGNATURE: \_\_\_\_\_

**CONFIDENTIAL**  
 THE DRAWINGS, TECHNICAL DATA, AND ALL OTHER INFORMATION SET FORTH IN THIS DOCUMENT COMPRISE TRADE SECRETS AND CONFIDENTIAL INFORMATION THAT IS THE EXCLUSIVE PROPERTY OF ARCTIC INDUSTRIES, LLC.  
 USE OF SUCH INFORMATION IS LIMITED TO THE PURPOSE FOR WHICH IT WAS PROVIDED AND NO RECIPIENT IS PERMITTED TO USE, COPY, OR DISCLOSE SUCH INFORMATION EXCEPT AS EXPRESSLY AUTHORIZED BY ARCTIC INDUSTRIES, LLC.

**Arctic**  
 WALK-IN COOLERS AND FREEZERS  
 MIAMI, FLORIDA  
 PHONE: (305) 883-5581  
 LOS ANGELES, CALIFORNIA  
 PHONE: (626) 508-0920  
 www.arcticwalkins.com

ETL US  
 Intertek  
 CONFORMS TO UL 308A-01

ETL  
 Intertek  
 CONFORMS TO NSF 51-D

EISA