

### Standard Features – Gas Salamander Broiler



**Model #ASAL-36**

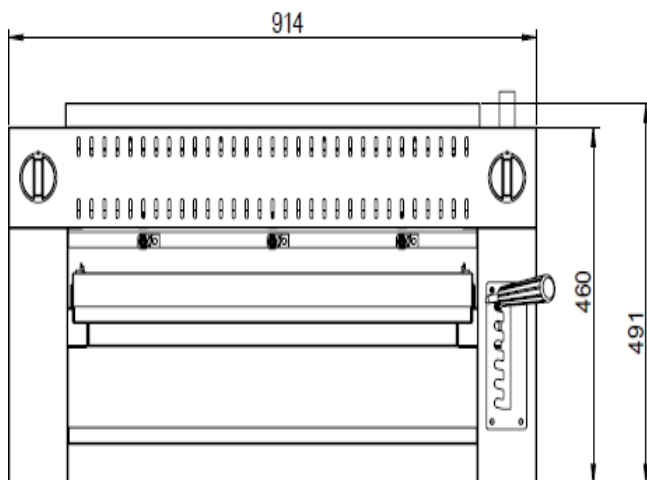
- Stainless steel structure
- 6 Cast Iron burners, total 36,000 BTU/hr
- Infrared burner can cook food much quicker
- Spring-balanced lifting system easy to adjust
- Grills can be rolled out for easy loading, unloading & cleaning
- Grill stopper to prevent grills falling off
- 5-height locking positions to have different temperature
- Continuous pilot for instant ignition of main burner
- Stainless steel crumb tray to collect dropped food
- Wall mounting kit included for saving kitchen space
- Can match 36" or 60" ranges (*Kit to be ordered separately*)
- 3/4" NPT rear gas connection



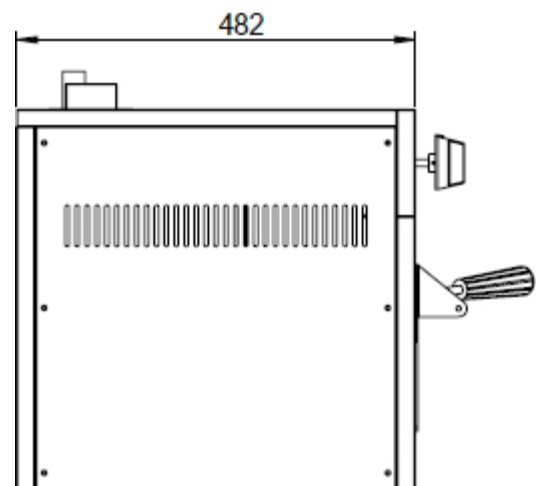
Parts & Labor

### PLAN VIEW

Front View



Side View



Model	Description	Dimension	Total BTU/HR	Packing Size(IN)	N/W (LB)	G/W (LB)
RCM-36L	Gas salamander	36x19x19	36,000	39x26x28	104	140