

Gas Stock Pot Range

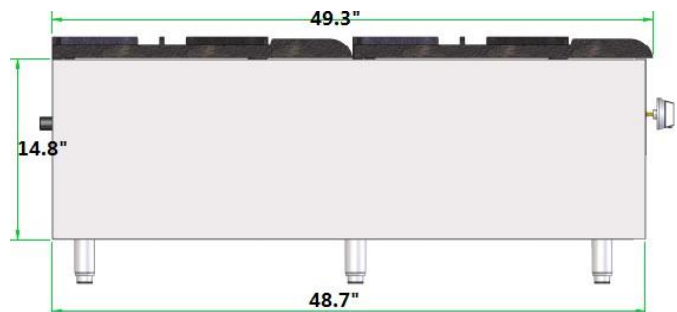
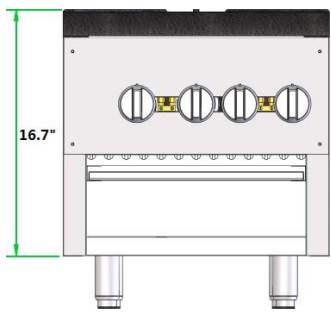
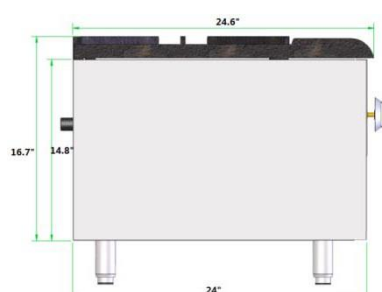
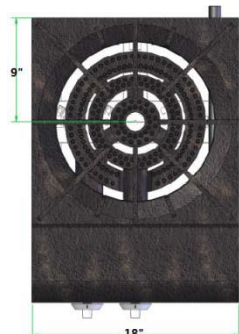
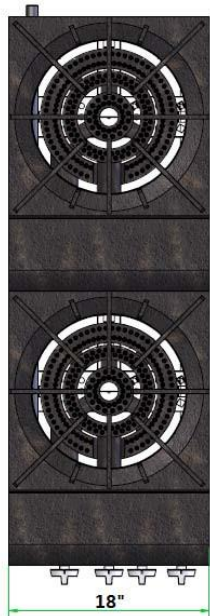
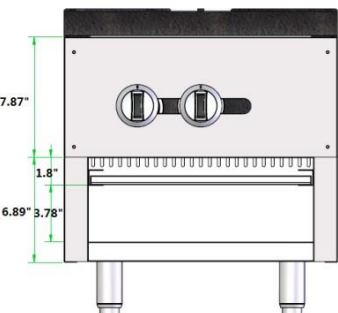


Model: ASP-18

- ASP-18 Gas single stock pot range
- ASP-36 Gas double stock pot range

STANDARD FEATURES

- Stainless steel front and sides
- Cast iron 2-ring burner, each 55,000 BTU/hr (Natural gas)
- 18" x24.6"(46x62.5cm) cast iron grate
- Standby S/S pilot for easy start
- Adjustable heavy duty legs
- Cool to touch fiberglass Nylon knobs
- Full width crumb tray at the bottom
- Durable brass valve for individual control
- Easy access to pilot valve adjustment screws
- Easy gas conversion in field
- 3/4" NPT rear gas connection
- Shipped with gas regulator
- One year limited parts and labor warranty



Model	Description	BTU/HR (Natural gas)	BTU/HR (Propane)	Overall Dimensions	N/W (LB)	GW (LB)
ASP-18	Gas stock pot	110,000	85,000	24.6x18x18	95	120
ASP-36	Gas stock pot	220,000	170,000	18x48x18	175	190