

Project _____

Item Number _____

Quantity _____

SPZA Automatic



SPZA Automatic Pizza Spinner

Model:

- SPZA: 18" (46cm) Cold system pizza spinner



Pizza Spinner

Features:

- Bench model automatic pizza spinner
- Patented micro rolling system
- User adjustable crust thickness
- Uses a cold system to spin the dough
- Twin push button to initiate spin cycle for safety
- Replicates hand spinning your dough, with consistent results
- Has 20 user programmable settings to work with different size dough balls and recipes
- Simple operation, choose your program and with just the push of a button spin your dough

Optional Accessories:

- Additional carpet set (fabric or polypropylene)
- Additional individual carpet (upper or lower)
- Stand with wheels

Univex Corporation

Warranty:

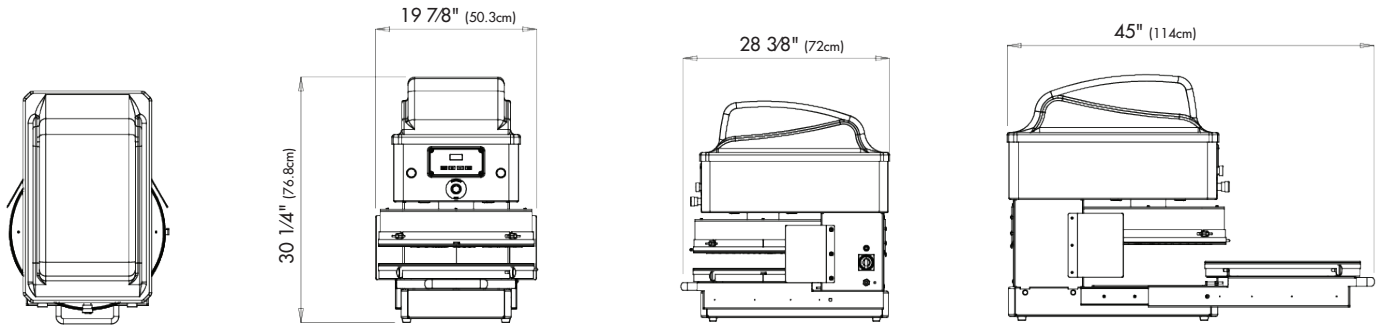
- One year, on-site parts and labor



WE RAISE THE BAR. WE SET THE STANDARD.

Pizza Spinner

SPZA Automatic



Controls: Digital screen for program selection. Twin push buttons to initiate cycle for safety. Sliding lower tray for dough ball placement.

Drive: Spinning action is belt driven. Lowering of disk is powered by an electronic actuator.

Electrical Information (60Hz)		
Standard Voltage/hp(kW)/Amps	Optional Voltage/hp(kW)/Amps	Phase
110/1.2(.9)/12.0	220/1.2(.9)/5.1	1

Shipping Information		
Net Weight	Shipping Weight	Overall Dimensions
243 lbs. (110Kg)	309 lbs. (140Kg)	46" (116.8cm) H x 33" (83.8cm) W x 39" (99.1cm) D



Univex Corporation
www.Univexcorp.com

3 Old Rockingham Rd
Salem, NH 03079
United States of America

TEL: (800)258-6358
INTL TEL: (603)893-6191
FAX: (800)356-5614
INTL FAX: (603)893-1249