



AX-513RHD

**Half Size Convection Oven with Humidity
Digital controls - Reversing Fan - 3 shelves**



Digital controls	Time, temperature, humidity, 3 cooking cycles for each program, automatic pre-heating	Features
Load capacity	3 shelves for half size sheet pans	
High speed reversing fan	1 (3200 rpm)	<ul style="list-style-type: none"> • Advanced airflow design • Automatic high speed reversing fans • Digital programmable controls / 99 programs / automatic pre-heating / 3 cooking cycles for each program • Interior halogen light • Includes electro valve for direct water connection • Micro safety switch shuts oven off when door is open • Heavy duty stainless steel body construction • "Cold Door" design with double pane glass • Reinforced door hinges • Oven door can support weight limit of 80 lbs. • Oven cavity is insulated with ultra-high temperature fiberglass insulation • 3 Stainless steel wire shelves • Ovens can be stacked (kit required) • Warranty: 2 years parts & 1 year labor exclusive of lights, gaskets and glass
Space between shelves	3" (75 mm)	
Power requirements	1,650 Watts / 120 V / 60 / 1 Oven supplied with power cord and plug	
Temperature	86° - 500° F	
Equipped with	16 hour timer - Signal at end of cycle	
Cavity size(inches)	18.7" x 15" x 9.6" (WxDxH)	
Unit dimensions (inches)	22.05" x 25.48" x 17.90" (WxDxH)	
Shipping dimensions (inches)	23.63" x 26.77" x 19.69" (WxDxH)	
Net / Ship weight	62 lb / 73 lb	

OVEN STANDS & PROOFERS



AX-501 OVEN STAND
SHIP WT: **43 lbs**

- HD stand with tray slides for half size sheet pans
- Dimensions: 23.30" x 20.87" x 31.50"
- Accommodates any "5" series ovens



AX-PR5
SHIP WT: **133 lbs**



- Capacity: 8 half size sheet pans
- Space between pans: 3"
- 208-240/60/1, 2000 Watts
- Heat setting up to 140°F
- Manual fill water supply in bottom tray

CONVECTION ACCESSORIES



DEFLECTOR
CODE: **124-DEF**

- 1 is required for "5" series
- Air deflector plate for delicate baking

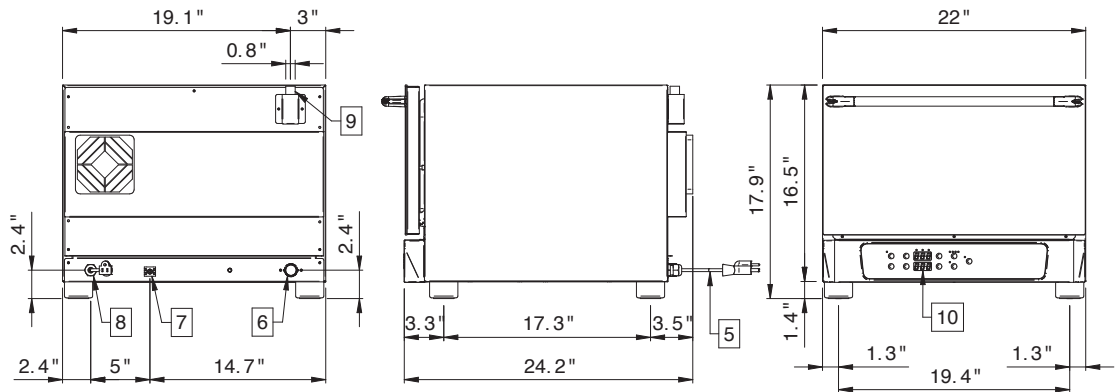


STACKING KIT "5" SERIES
CODE: **124-KIT5**

- Stacking kit for "5" Series

LINE DRAWINGS

AX-513RHD



🇨🇦 514-737-9701 🇺🇸 786-600-4687

TOLL FREE: 888-275-4538

TOLL FREE: 844-218-8477

5659 ROYALMOUNT AVE, MONTREAL, QC, CANADA H4P2P9
12000 BISCAYNE BLVD, SUITE #108, MIAMI, FL, USA 33181

🌐 MVPGROUPCORP.COM ✉ SALES@MVPGROUPCORP.COM