



AX-CL10D

**Full Size Combi Oven
Digital Controls - Reversing Fans - 10 Shelves**



Digital controls	Time, temperature, steam, 4 cooking cycles for each program, automatic pre-heating
Load capacity	10 shelves for full size sheet pans
High speed reversing fans	3 (3,200 rpm)
Space between shelves	3.14" (80 mm)
Power requirements	14.5Kw/208V/60/3-48A 19.5Kw/240V/60/3-53A Oven supplied with power cord only / no plug
Temperature	86° - 500° F
Equipped with	16 hour timer Signal at end of cycle
Cavity size (inches)	28.35 x 22.20 x 37.32 (WxDxH)
Unit dimensions (inches)	38.60 x 33.64 x 49.58 (WxDxH)
Shipping dimensions (inches)	41.35 x 40.55 x 52.37 (WxDxH)
Net / Ship weight	313 lb / 353 lb

Features

- Advanced airflow design
- Automatic reversing fans - 2 speeds
- Digital programmable controls / 99 programs / automatic pre-heating / 4 cooking cycles for each program
- Interior halogen light
- Includes electro valve for direct water connection
- Core food probe included / Delta T Cooking
- Adjustable steam percentage (0-100%)
- Adjustable exhaust flue
- Heavy duty stainless steel body construction
- "Cold Door" design with double pane glass
- Reinforced door hinges
- Oven cavity is insulated with ultra-high temperature fiberglass insulation
- 4 Stainless steel wire shelves
- Micro safety switch shuts oven off when door is open
- Self-cleaning cycles
- Ovens can be stacked (kit required)
- Warranty: 2 year parts & 1 year labor exclusive of lights, gaskets and glass (60 days)

COMBI ACCESSORIES



AX-C10ST OVEN STAND

- Heavy duty oven stand with tray support
- Slides accommodate full size pans
- Dimensions: 33.47" x 24.40" x 31.50"
- Heavy duty stainless steel (assembly required)
- Ship weight: 54 lbs
- Shipping dimensions: 38.60" x 28.35" x 8.66"



125-R15 R15 CASTERS

Set of 4
(2 with brakes)
For stand only



124-KITC STACKING KIT



125-0323 STACKING KIT CASTERS

Set of 4
(2 with brakes)



125-0325 STACKING CASTER SET

(4 casters- 2 braked)
(2 support brackets)



139-0002 DEGREASER

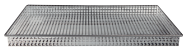


139-0001 COMBI CLEANER



124-WDFA WATER FILTER

COMBI OVEN TRAYS



124-GP31 FRY GRID



124-GP32 GRIDDLE GRID



124-GP28 GRANITE MULTI-BAKING TRAY



124-GP36 MULTIFUNCTIONAL NON STICK ALUMINUM TRAY



124-PT12 60X40 ALUMINUM PERFORATED TRAY



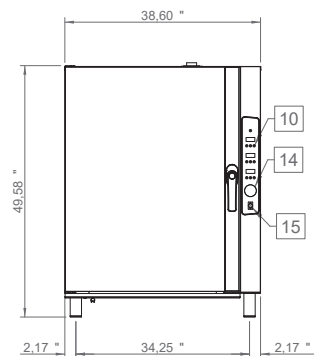
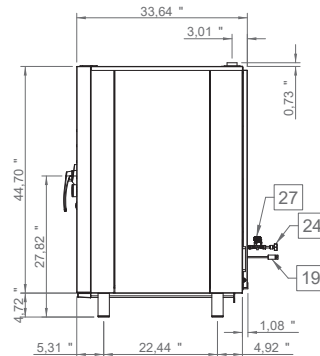
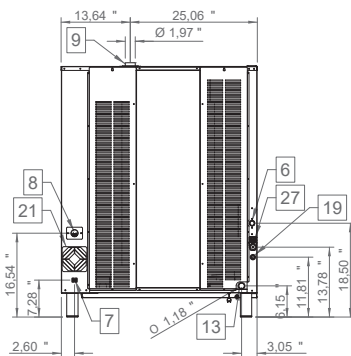
124-PT13 60X40 ALUMINUM TRAY



124-PG15 SHELF RACK

LINE DRAWINGS

AX-CL10D



☎ 514-737-9701 🇺🇸 786-600-4687

TOLL FREE: 888-275-4538

TOLL FREE: 844-218-8477

5659 ROYALMOUNT AVE, MONTREAL, QC, CANADA H4P2P9

12000 BISCAYNE BLVD, SUITE #108, MIAMI, FL, USA 33181

🌐 MVPGROUPCORP.COM ✉ SALES@MVPGROUPCORP.COM