



# STAINLESS STEEL Drop-In Water Stations With Iced Bin and Filler Faucet



**D-24-WSIBL**  
21" x 18"



**D-24-WSIBL2**  
18" x 21"

Item #:	_____	Qty #:	_____
Model #:	_____		
Project #:	_____		



**FEATURES:**

Removable grate covers drip pan.  
Rubber thermal breaker to reduce condensation.  
Supplied with stainless steel sliding cover.

**MECHANICAL:**

1" IPS drain (drip pan and ice bin)  
Filler faucet has a cold connection with 1/2" IPS  
**Faucet meets federal lead free standards.**

**MATERIAL:**

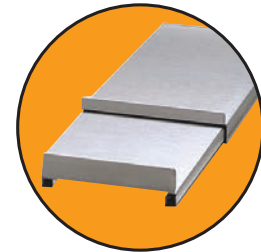
**Jacket:** 20 gauge galvanized steel  
**Ice Bin:** 20 gauge, 300 stainless steel  
**Cover:** 20 gauge stainless steel (7:00 pmSIBL and 7:00 pmSIBL2 only)  
**Molding:** Extruded black polyethylene thermal breaker marine edge  
**Insulation:** 2lbs. density foam-in-place insulation

**OPTIONAL:**

**D-12:** Replacement sliding stainless steel cover



**Units Include K-54  
Filler Faucet**



**Units Include Sliding  
Stainless Steel Cover**

Model #	Description	Outside Dimensions	Cut-Out Size	Ice Capacity	Approx. Weight	Approx. Cu. Ft.
D-24-WSIBL	Water Station w/ Ice Bin	21" x 18"	20 5/8" x 15 1/4"	23 lbs.	30 lbs.	5
D-24-WSIBL2	Water Station w/ Ice Bin	18" x 21"	15 1/4" x 20 5/8"	50 lbs.	47 lbs.	5

**WARNING:** Equipment that include faucets on this page may contain a chemical known to the State of California to cause cancer, birth defects or other reproductive harm.



**Customer Service Available To Assist You 1-800-645-3166 8:30 am - 7:00 pm E.S.T.**

For Orders & Customer Service:  
Email: customer@advancetabco.com or Fax: 631-242-6900

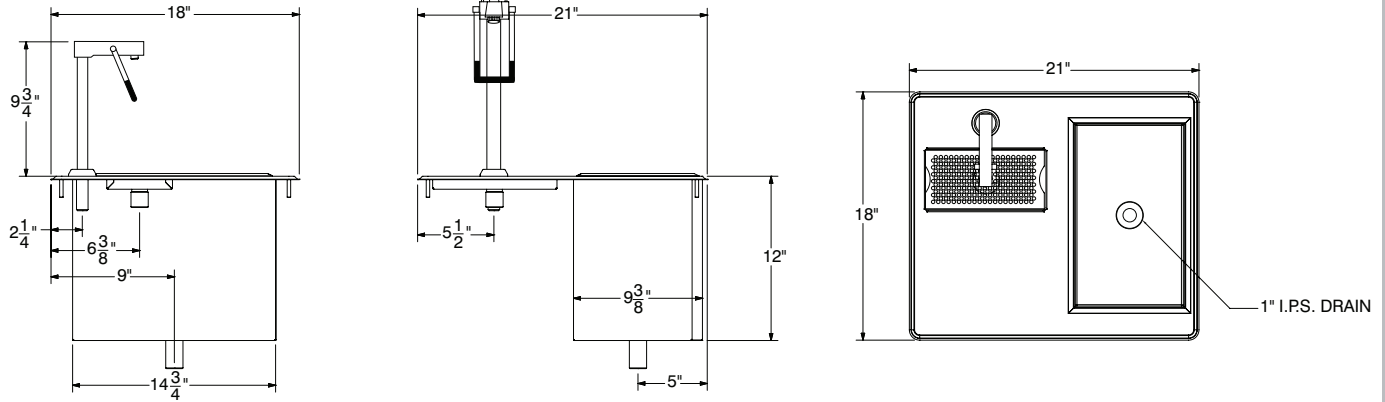
For Smart Fabrication™ Quotes:  
Email: smartfab@advancetabco.com or Fax: 631-586-2933

# DIMENSIONS and SPECIFICATIONS

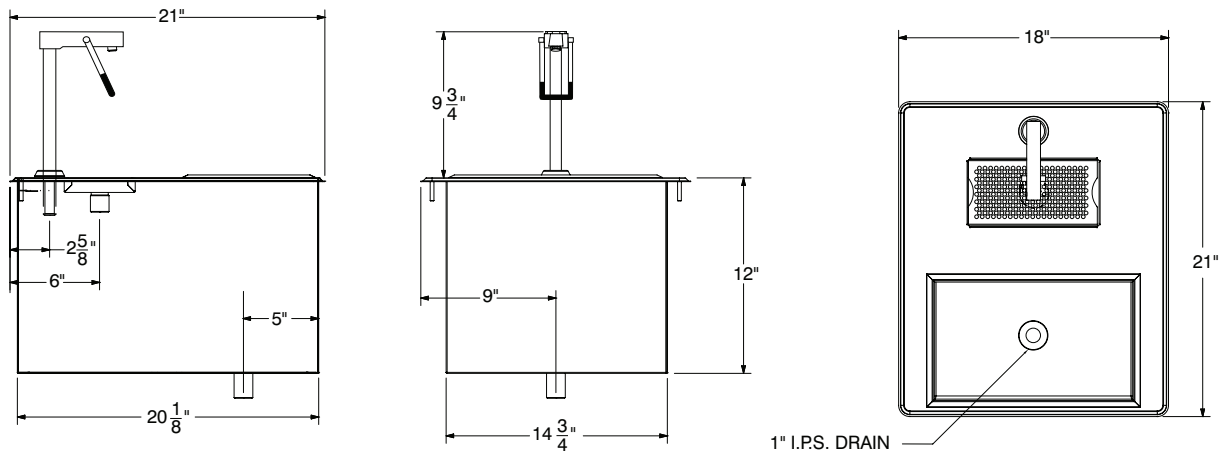
TOL Overall: ± .500" Interior: ± .250"

ALL DIMENSIONS ARE TYPICAL

## D-24-WSIBL



## D-24-WSIBL2



**NOTE ON INSTALLING  
D-24-WSIBL2**

To install D-24-WSIBL2 unit into mounting surface, please loosen coupling and remove this section.

After unit has been placed into the mounting surface, re-attach this section and continue plumbing as normal.

