



# STAINLESS STEEL VALUE MOBILE WORK TABLES With Adjustable Undershef



Item #: \_\_\_\_\_ Qty #: \_\_\_\_\_  
 Model #: \_\_\_\_\_  
 Project #: \_\_\_\_\_

## DETAILS and SPECIFICATIONS

TOL ± .500"

ALL DIMENSIONS ARE TYPICAL



### FEATURES:

- Maintains standard 35-1/2" working height.
- Top is furnished with 1 5/8" sanitary rolled rim on front and rear and square ends.
- Two hat-channels stud welded under tabletop to reinforce and maintain a level work surface.
- Aluminum die cast "leg-to-shelf" clamp secures shelf to leg eliminating unsightly nuts and bolts.
- Undershef is fully adjustable.
- Includes 4 casters (2 with brakes).

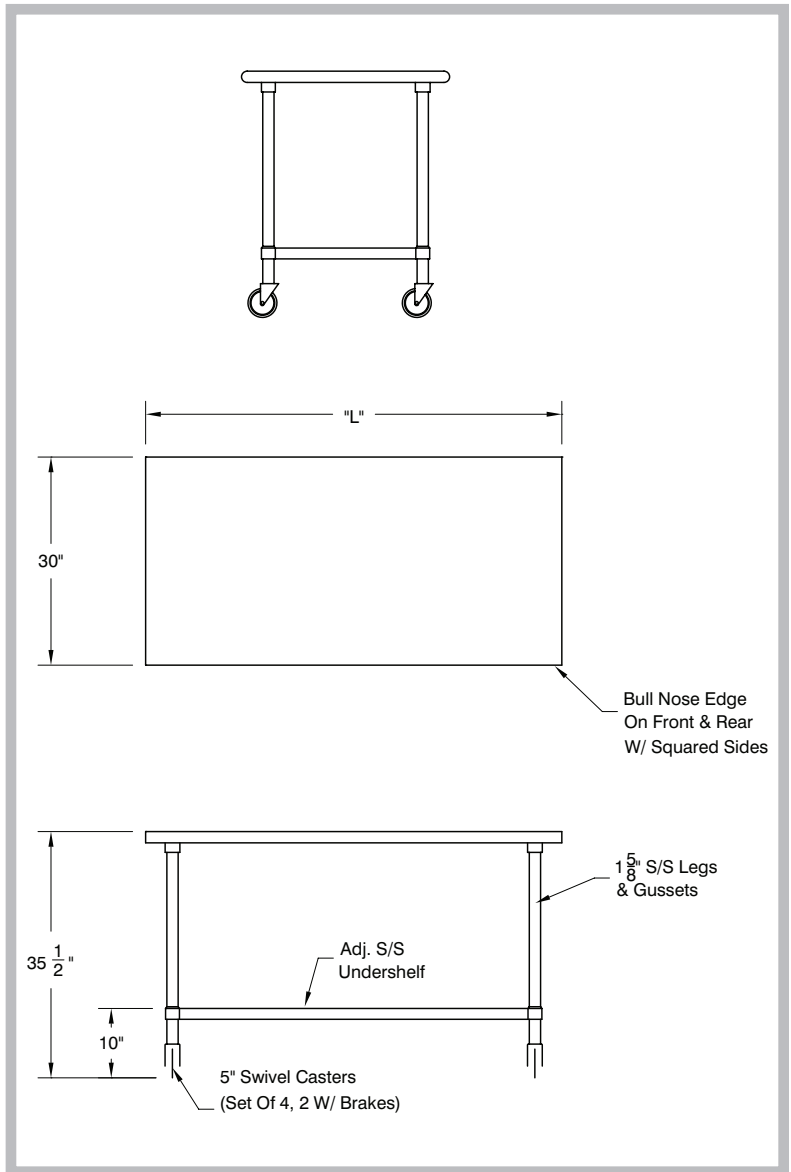
### CONSTRUCTION:

- All TIG welded. Exposed weld areas polished to match adjacent surface.
- Top is sound deadened.
- Roll formed embossed galvanized hat channels are secured to top by means of structural adhesive and weld studs.
- Gussets welded to support hat channels.

### MATERIAL:

- TOP:** 16 gauge stainless steel type "304" series.
- SHELF:** 18 gauge galvanized steel.
- LEGS:** 1 5/8" diameter tubular galvanized steel. Galvanized steel gussets.

30" WIDE	L	Model #	WT.	Cu. Ft.
	<b>FLAT TOP</b>			
48"	ELAG-304C-X	93 lbs.	7	
60"	ELAG-305C-X	111 lbs.	8	
72"	ELAG-306C-X	128 lbs.	10	



Customer Service Available To Assist You 1-800-645-3166 8:30 am - 8:00 pm E.S.T.

For Orders & Customer Service:  
 Email: customer@advancetabco.com or Fax: 631-242-6900

For Smart Fabrication™ Quotes:  
 Email: smartfab@advancetabco.com or Fax: 631-586-2933