

AR-7E

ELECTRIC ROTISSERIE



• Operating at only 8.3 kilowatts, the Alto-Shaam rotisserie with EcoSmart® technology uses very little electricity to cook a full load of delicious food.



AR-7E SHOWN WITH DOUBLE PANE,
CURVED GLASS DOORS AND OPTIONAL
NON-CONTROL SIDE PASS-THROUGH DOOR

- Temperature-dropping hold mode further saves on energy costs.
- Solid stainless steel back prevents further heat loss.
- Cook and hold in a single, counter-top rotisserie that features a combination of convection and radiant heat.
- A choice of one or two cooking stages for an improved finished product.
- Solid state electronic control has a clear, easy-to-read LED display to cook by time and features an automatic temperature reduction to a holding mode where product can remain until needed.
- Programmable control option with a seven program memory for both the cooking and holding function.
- The rotisserie can be stacked with an identical rotisserie oven or with a matching holding cabinet.
- Interior drip strips channel drippings into a bottom drip pan for convenient removal.
- Spits, rotating disks, drip strips are also removable for easy cleaning.
- Interior lighting is recessed to protect from breakage.
- Stackable options available.

The Alto-Shaam electric rotisserie is constructed of a heavy gauge, non-magnetic stainless steel with a sealed cooking chamber for heat retention. Low-e glass on front includes a handle with magnetic door latch. Spit rotation is controlled by one (1) 1/2 hp motorized disk that provides an incremental rotation jog and automatic stop when door is opened. The cook temperature range is from 250° to 425°F (121° to 218°C). Additional electronic control features include temperature display in Fahrenheit or Celsius; a product hold key with a temperature range of 140° to 210°F (60° to 99°C), cooking set-points from 1 minute to 4 hours; and emergency stop. The rotisserie has a stainless steel exterior finish and is furnished with 4-inch adjustable legs, 7 angled spits and a drip pan with drain.

FACTORY INSTALLED OPTIONS



ANSI/NSF 4



IP X3

➤ Specify Oven:

- Reach-in, stainless steel solid back, standard
- Pass-through, optional

➤ Specify Door:

- Single pane, flat glass door
- Double pane, curved glass door

➤ Specify Door Swing:

- Right-hand, standard
- Left-hand, optional

➤ Specify Voltage:

- 208, 1 ph
- 240, 1 ph
- 240, 3 ph
- 380-415, 3 ph

➤ Specify Control Choice:

- Standard
- Deluxe, programmable with seven programs for cooking and holding.

➤ Specify Panel Color Choice:

- Stainless Steel, standard
- Black, optional
- Burgundy, optional
- Custom color, optional

ALTO-SHAAM

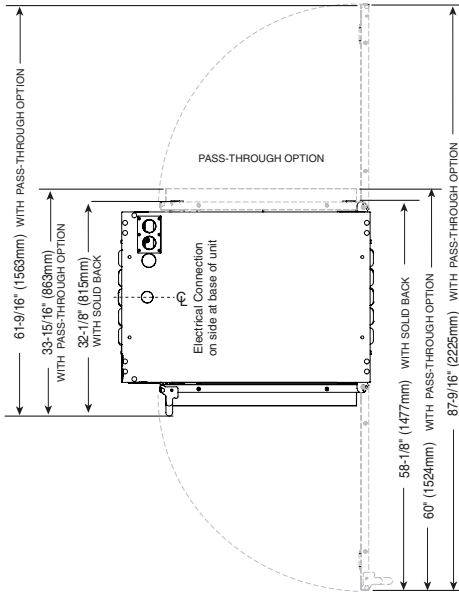
W164 N9221 Water Street • P.O. Box 450 • Menomonee Falls, Wisconsin 53052-0450 • U.S.A.
Phone: 262.251.3800 800.558.8744 U.S.A./Canada Fax: 262.251.7067 800.329.8744 U.S.A. only
www.alto-shaam.com

Due to ongoing product improvement, specifications are subject to change without notice.

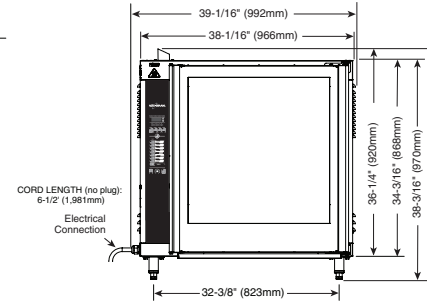
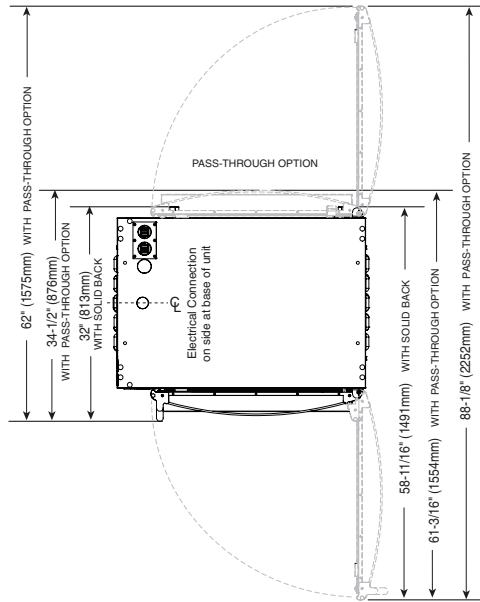
Printed in the U.S.A. 

ELECTRIC ROTISSERIE **AR-7E**

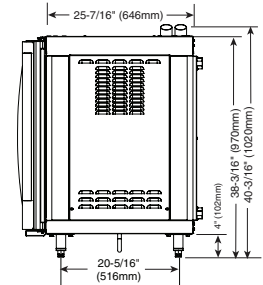
AR-7E WITH CURVED DOOR



AR-7E WITH FLAT DOOR



FRONT VIEW



SIDE VIEW

NOTE — HEIGHT DIMENSION VARIANCE:

- 2" (51mm) rubber feet add 2-1/8" (54mm)
(CE ONLY; NOT AVAILABLE ON MODELS BUILT FOR US OR CANADA; FOR COUNTERTOP UNITS ONLY)
- 4" (102mm) legs add 4-3/8" (111mm)
- 5" (127mm) casters add 6-3/8" (162mm)
- 6" (152mm) legs add 6-3/8" (162mm)

DIMENSIONS: H x W x D					
SINGLE PANE, FLAT GLASS					
EXTERIOR: 40-1/4" x 39-1/16" x 32-1/8" (1022mm x 992mm x 815mm)			PASS-THROUGH EXTERIOR (OPTION): 40-1/4" x 39-1/16" x 33-15/16" (1022mm x 992mm x 863mm)		
DOUBLE PANE, CURVED GLASS					
EXTERIOR: 40-1/4" x 39-1/16" x 32" (1022mm x 992mm x 813mm)			PASS-THROUGH EXTERIOR (OPTION): 40-1/4" x 39-1/16" x 34-1/2" (1022mm x 992mm x 876mm)		
ELECTRICAL					
VOLTAGE	PHASE	CYCLE/HZ	AMPS	KW	
208	1	60	40.0	8.3	BARE END, NO PLUG
240	1	60	38.0	8.8	BARE END, NO PLUG
208	3	60	33.0/ph	8.3	BARE END, NO PLUG
240	3	60	32.0/ph	8.8	BARE END, NO PLUG
380-415	3	50/60	24.0/ph	8.8	NO CORD NO PLUG
380	3	50/60	22.0/ph	7.4	
415	3	50/60	24.0/ph	8.8	
PRODUCT CAPACITY					
98 lb (44 kg) MAXIMUM					
ANGLED SPITS (STANDARD):					
Up to twenty-one (21) 3-1/2 lb chickens (1,6 kg)					
Up to twenty-eight (28) 2-1/2 to 3 lb chickens (1,1 to 1,4 kg)					
PIERCING SPITS (OPTIONAL):					
Up to twenty-eight (28) 2-1/2 to 3-1/2 lb chickens (1,1 to 1,6 kg)					
TURKEY SPIT (OPTIONAL): (UP TO 3 SPITS CAN BE USED)					
One (1) Turkey up to 25 lb (11 kg) on each spit					

INSTALLATION REQUIREMENTS

- Oven must be installed level.
- Exhaust ventilation is required
- Install on a non-combustible surface only
- The oven must not be installed in any area where it may be affected by steam, dripping water, high temperatures, or any other severely adverse conditions.
- In order to maintain NSF standards, counter models must be sealed at the bottom by an NSF approved sealant or equipped with 4" (102mm) legs.
- Power Cord Connection: The side connection is recommended for all applications. If bottom connection is necessary for counter top units, user will need to provide a cutout in the countertop to allow the cord to hang freely without crimping.

CLEARANCE REQUIREMENTS

6" (152mm) left, right, and rear sides

WEIGHT

NET: 361 lb (164 kg) SHIP: 451 lb (205 kg)

CRATE DIMENSIONS: (L x W x H)

53" x 45" x 49" (1346mm x 1143mm x 1243mm)



W164 N9221 Water Street • P.O. Box 450 • Menomonee Falls, Wisconsin 53052-0450 • U.S.A.
Phone: 262.251.3800 800.558.8744 U.S.A./Canada Fax: 262.251.7067 800.329.8744 U.S.A. only
www.alto-shaam.com

Due to ongoing product improvement, specifications are subject to change without notice.

Printed in the U.S.A.

ELECTRIC ROTISSERIE **AR-7E**

STANDARD ACCESSORIES

- | | |
|--|---|
| <input type="checkbox"/> Seven (7) removable stainless steel angled spits | <input type="checkbox"/> Two (2) removable stainless steel angled drip strips |
| <input type="checkbox"/> One (1) removable stainless steel drip pan with drain, 2" (51mm) deep | <input type="checkbox"/> Six (6) 20 watt recessed bulbs |

OPTIONS & ACCESSORIES

- | | |
|---|----------|
| <input type="checkbox"/> CASTERS, 5" (127mm) | 4007 |
| NOT AVAILABLE WITH VENTLESS HOOD STACKED UNITS | |
| <input type="checkbox"/> DOOR HANDLE, NON-CONTROL SIDE | HD-26900 |
| <input type="checkbox"/> DRIP PAN, STAINLESS STEEL (WITHOUT DRAIN) | 1001976 |
| <input type="checkbox"/> FEET, RUBBER, 2" (51mm) | 5001614 |
| (CE ONLY; NOT AVAILABLE ON MODELS BUILT FOR US OR CANADA; FOR COUNTER TOP UNITS ONLY) | |

LEGS

- | | |
|--|---------|
| <input type="checkbox"/> 6" (152mm) ASSEMBLY | 5001414 |
| <input type="checkbox"/> 6" (152mm) ASSEMBLY, FLANGED FEET | 5001761 |
| REQUIRED FOR STACKING UNITS. | |

- | | |
|---|--|
| <input type="checkbox"/> MULTI-PURPOSE WIRE BASKET (.50 dia. pin) BS-26019 | |
|---|--|

SPITS

- | | |
|---|----------|
| <input type="checkbox"/> ANGLED SPIT, STAINLESS STEEL | SI-25934 |
| <input type="checkbox"/> PIERCING SPIT, STAINLESS STEEL | SI-25729 |
| <input type="checkbox"/> TURKEY SPIT, STAINLESS STEEL | 5011681 |
| <input type="checkbox"/> ANGLED SPIT, NON-STICK | 5001335 |

NON-STICK COATED ACCESSORIES - COMMERCIAL GRADE

- | | |
|---|---------|
| <input type="checkbox"/> INCLUDES DISKS, DRIP TRAY AND 7 ANGLED SPITS | 5001302 |
|---|---------|

STACKING ASSEMBLY (FACTORY INSTALLED)

AR-7E OVER AR-7E (RIGHT-HAND)

- | | |
|---|---------|
| <input type="checkbox"/> (208 OR 240V, 1PH) | 5009981 |
| <input type="checkbox"/> (208 OR 240V, 3PH) | 5009982 |
| <input type="checkbox"/> (380-415V) | 5009983 |

AR-7E OVER AR-7E (LEFT-HAND)

- | | |
|---|---------|
| <input type="checkbox"/> (208 OR 240V, 1PH) | 5010355 |
| <input type="checkbox"/> (208 OR 240V, 3PH) | 5010356 |
| <input type="checkbox"/> (380-415V) | 5010357 |

AR-7E OVER AR-7H

- | | |
|---|---------|
| <input type="checkbox"/> (208 OR 240V, 1PH) | 5008787 |
| <input type="checkbox"/> (208 OR 240V, 3PH) | 5008948 |
| <input type="checkbox"/> (380-415V) | 5008922 |

STAND, STAINLESS STEEL (H x W x D)

- | | |
|--|----------|
| <input type="checkbox"/> WITH STORAGE SHELF | FR-26550 |
| 35-15/16" x 39-3/16" x 27-1/2" (912mm x 995mm x 700mm) | |
| <input type="checkbox"/> OPEN (AR-7E OVER 750-S) | 5002058 |
| 36" x 39-3/16" x 27-9/16" (914mm x 995mm x 700mm) | |



STACKING COMBINATION
AR-7EVH ROTISSERIE OVER
AR-7H COMPANION HOLDING CABINET

STACKING COMBINATIONS (FACTORY INSTALLED)

AR-7E rotisserie over AR-7E rotisserie

Requires 6" (152mm) leg assembly 5001414 or 5" (127mm) casters 4007 and stacking assembly (5009981, 5009982, 5009983, 5010355, 5010356, or 5010357 - depending on voltage and door swing - see list above) for applications within the United States. Applications outside the U.S. requires 6" (152mm) legs with flanged feet 5001761 bolted to the floor.

[OVERALL HEIGHT: 76-7/8" (1953mm)]

AR-7E rotisserie over AR-7H companion holding cabinet

Requires 6" (152mm) leg assembly 5001414 or 5" (127mm) casters 4007 and stacking assembly (5008787, 5008948 or 5008922 - depending on voltage - see list above) for applications within the United States. Applications outside the U.S. requires 6" (152mm) legs with flanged feet 5001761 bolted to the floor.

[OVERALL HEIGHT: 76-7/8" (1953 mm)]

AR-7EVH rotisserie with ventless hood over AR-7H companion holding cabinet

Requires 6" (152mm) legs with flanged feet 5001761 bolted to the floor.

[OVERALL HEIGHT: 90-13/16" (2307mm)]



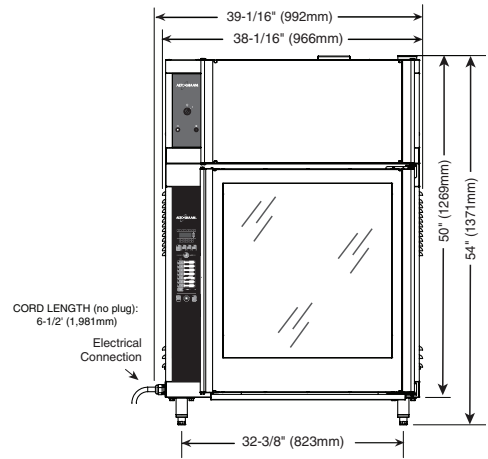
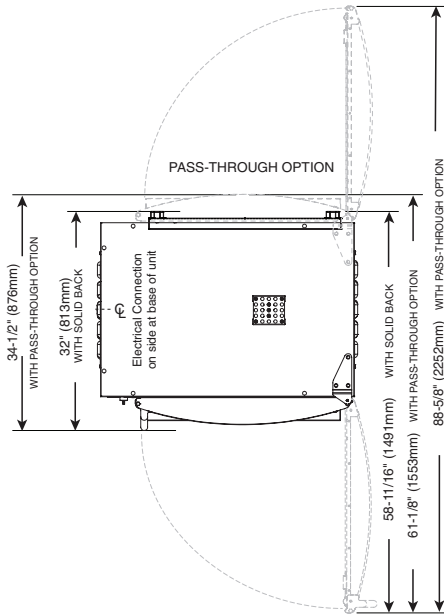
W164 N9221 Water Street • P.O. Box 450 • Menomonee Falls, Wisconsin 53052-0450 • U.S.A.
Phone: 262.251.3800 800.558.8744 U.S.A./Canada Fax: 262.251.7067 800.329.8744 U.S.A. only
www.alto-shaam.com

Due to ongoing product improvement, specifications are subject to change without notice.

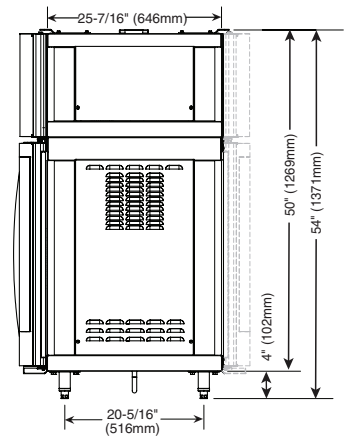
Printed in the U.S.A.

AR-7EVH

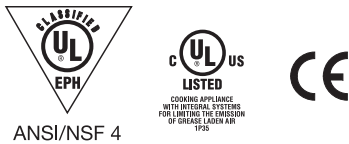
ROTISSERIE WITH VENTLESS HOOD



FRONT VIEW



SIDE VIEW



IP X3 **EAC**

DIMENSIONS: H x W x D					
CURVED GLASS					
EXTERIOR: 54" x 39-1/16" x 32" (1371mm x 992mm x 813mm)			PASS-THROUGH EXTERIOR (OPTION): 54" x 39-1/16" x 34-1/2" (1371mm x 992mm x 876mm)		
FLAT GLASS (NOT SHOWN)					
EXTERIOR: 54" x 39-1/16" x 32-1/8" (1371mm x 992mm x 815mm)			PASS-THROUGH EXTERIOR (OPTION): 54" x 39-1/16" x 33-15/16" (1371mm x 992mm x 863mm)		
ELECTRICAL					
VOLTAGE	PHASE	CYCLE/HZ	AMPS	kW	
208	1	60	40.0	8.3	BARE END, NO PLUG
240	1	60	38.0	8.8	BARE END, NO PLUG
208	3	60	33.0/ph	8.3	BARE END, NO PLUG
240	3	60	32.0/ph	8.8	BARE END, NO PLUG
380-415	3	50/60	24.0/ph	8.8	
380	3	50/60	22.0/ph	7.4	NO CORD NO PLUG
415	3	50/60	24.0/ph	8.8	
AIR MOVEMENT					
530 cfm (15m ³)					
OPTIONS & ACCESSORIES					
<input type="checkbox"/> Grease Filter (Screen)			FI-25867		
<input type="checkbox"/> Charcoal Filter (Paper)			FI-25866		

CLEARANCE REQUIREMENTS

6" (152mm) at top, back and both sides

WEIGHT

AR-7EVH:

NET: 481 lb (218 kg) **SHIP:** 568 lb (258 kg)

CRATE DIMENSIONS: (L x W x H)

53" x 45" x 65" (1346mm x 1143mm x 1651mm)

INSTALLATION REQUIREMENTS

The AR-7EVH must not be installed in any area where it may be affected by steam, grease, dripping water, high temperatures, or any other severely adverse conditions.

Power Cord Connection: The side connection is recommended for all applications. If bottom connection is necessary for counter top units, user will need to provide a cutout in the counter-top to allow the cord to hang freely without crimping. **CE ONLY**