

# Countertop Electric Fryer

## Standard Features

- All stainless steel construction
- Removable, stainless steel fry baskets with handles
- Nickel-plated fry baskets with cool-to-touch insulated handles
- 70°F – 375°F thermostat
- High temperature control with manual reset
- Built-in basket hooks
- Attached power cord and plug (dual power cords and plugs on the ACEF-32)
- Easy to remove and clean control box and swing up elements

### MODELS:

ACEF-10 / ACEF-16 / ACEF-32



**ACEF-10**



**ACEF-16**



**ACEF-32**



**1 YEAR PARTS AND LABOR WARRANTY**



Conforms to ANSI  
STD Z83.11b-2009 (2011)  
Certified for CSA  
STD 1.8B-2009 (2011)  
Conforms to NSF/ANSI STD.4



REV. 09/24

**“WE MAKE THE KITCHEN BETTER!”**

**SPECIFICATIONS**

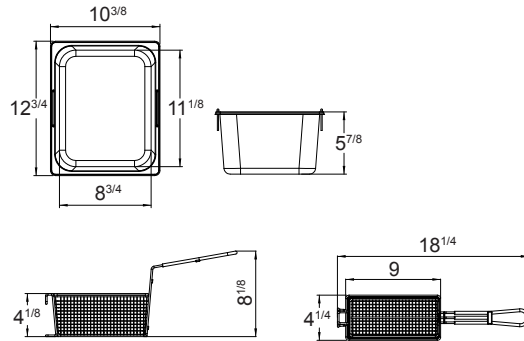
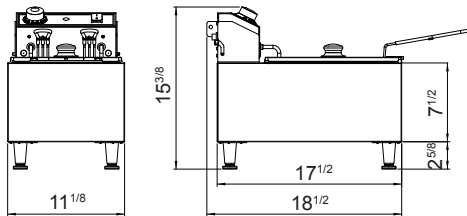
Models	Heating Elements	Baskets	Oil Capacity (lb)	Voltage (V/Hz/Ph)	Power (kW)	Rated Current (A)	Plug	Basket Dimensions (inch)	Exterior Dimensions (inch)	Net Weight (lb)	Gross Weight (lb)
ACEF-10	1	2	10	120V/60Hz/1ph	1.7	14.2	5-20P	9×4 <sup>5/16</sup> ×4 <sup>1/8</sup>	11 <sup>1/4</sup> ×18 <sup>1/2</sup> ×15 <sup>3/8</sup>	16.9	20.8
ACEF-16	1	1	16	208~240V/60Hz/1ph	2.9-3.8	14-15.1	6-20P	8 <sup>7/16</sup> ×7 <sup>7/8</sup> ×5 <sup>7/8</sup>	11 <sup>1/4</sup> ×18 <sup>1/2</sup> ×17 <sup>3/16</sup>	18.4	21.5
ACEF-32	2	2	32	208~240V/60Hz/1ph	(2)2.9-3.8	(2)14-15.1	(2)6-20P	8 <sup>7/16</sup> ×7 <sup>7/8</sup> ×5 <sup>7/8</sup>	21 <sup>11/16</sup> ×18 <sup>1/2</sup> ×17 <sup>3/16</sup>	31.7	36.9

**PLAN VIEW**

**ACEF-10**

**SIDE VIEW**

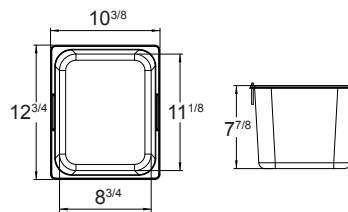
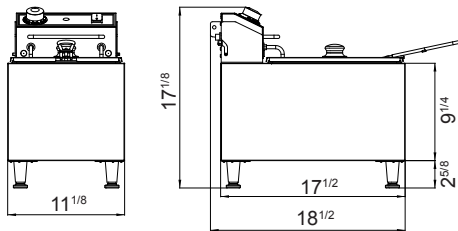
**TANK & BASKET**



**ACEF-16**

**SIDE VIEW**

**TANK & BASKET**



**ACEF-32**

