



“WE MAKE THE KITCHEN BETTER!”

ATOSA USA, INC.

Toll Free: 855-855-0399 Email: info@atosausa.com

www.atosa.com | www.atosausa.com

California, Colorado, Florida, Georgia, Illinois, New Jersey, Ohio, Texas, Washington

Forced Air Milk Coolers

Standard Features

- Stainless steel exterior & interior
- Top mount forced air refrigeration
- Digital temperature controller
- Single & double sided sliding door(s)
- Heavy duty, reinforced floor
- Dunnage racks
- Metal door handles
- Door lock standard
- Snap in door gaskets
- Floor drain with plug

Optional Accessories

- Extended warranties up to 5 years

MODELS:

AMC-3401 / AMC-3402 / AMC-4901
AMC-4902 / AMC-5801 / AMC-5802



AMC-3401



AMC-3402



AMC-4901



AMC-4902



AMC-5801



AMC-5802

For the best results of food preservation we recommend setting your refrigerator between 33°F to 38 °F

1. Don't forget to leave the unit some room to breathe!
2. Please clean the condenser frequently to give the unit more fresh air.



2 YEAR PARTS AND LABOR WARRANTY
5 YEAR COMPRESSOR PART WARRANTY





"WE MAKE THE KITCHEN BETTER!"

ATOSA USA, INC.

Toll Free: 855-855-0399 Email: info@atosausa.com

www.atosa.com | www.atosausa.com

California, Colorado, Florida, Georgia, Illinois,

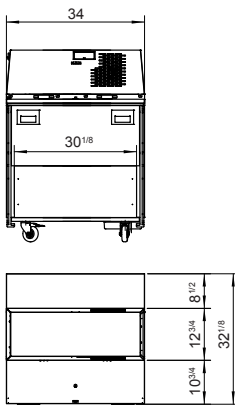
New Jersey, Ohio, Texas, Washington

SPECIFICATIONS

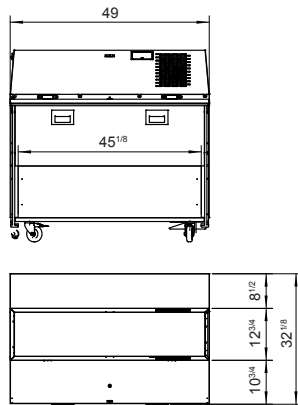
Models	Door	Capacity (Cu.Ft.)	Milk Crate Capacity (13" x 13")	Casters	Rated Current (A)	Voltage (V/Hz/Ph)	HP	Refrigerant	Plug	Exterior Dimensions (inch)	Net Weight (lb)
AMC-3401	1	11.69	8	4"	2.2	115/60/1	1/7	R290	NEMA 5-15P	34×32 ^{1/8} ×47 ^{1/8}	234
AMC-3402	2	11.69	8	4"	2.2	115/60/1	1/7	R290	NEMA 5-15P	34×34 ^{1/4} ×47 ^{1/8}	240
AMC-4901	1	17.52	12	4"	3.0	115/60/1	1/4	R290	NEMA 5-15P	49×32 ^{1/8} ×47 ^{1/8}	267
AMC-4902	2	17.52	12	4"	3.0	115/60/1	1/4	R290	NEMA 5-15P	49×34 ^{1/4} ×47 ^{1/8}	280
AMC-5801	1	20.09	16	4"	3.0	115/60/1	1/4	R290	NEMA 5-15P	58×32 ^{1/8} ×47 ^{1/8}	315
AMC-5802	2	20.09	16	4"	3.0	115/60/1	1/4	R290	NEMA 5-15P	58×34 ^{1/4} ×47 ^{1/8}	330

PLAN VIEW

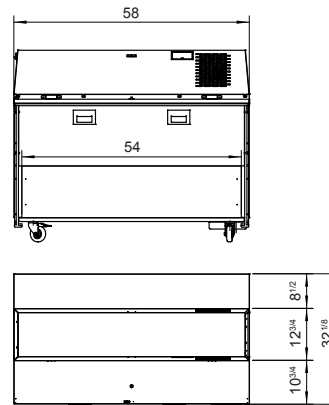
AMC-3401



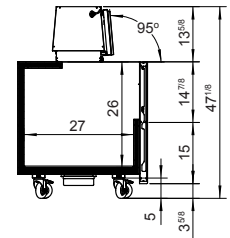
AMC-4901



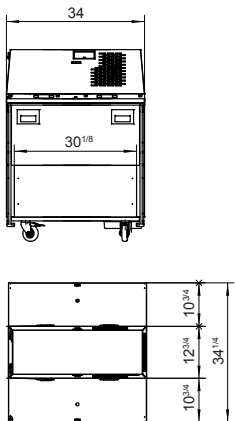
AMC-5801



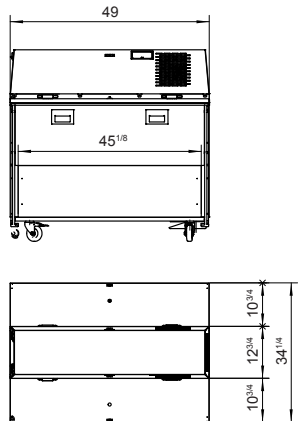
SIDE VIEW



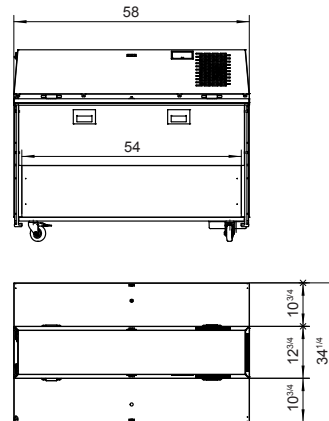
AMC-3402



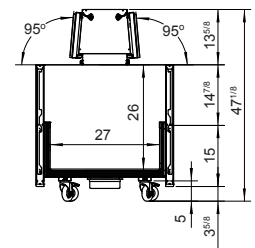
AMC-4902



AMC-5802



SIDE VIEW



NEMA 5-15P

