

12”, 15”, 17” Hand Sinks

Standard Features

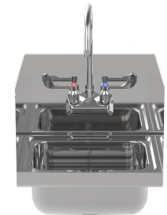
- 20 Gauge, 304 stainless steel hand sinks
- 18 Gauge, 304 stainless steel wall mounted clip
- 18 Gauge, 304 stainless steel side splashes on SD models
- 6” Backsplash with 2” return
- Goose neck faucet with wrist blade handles included
- 1-1/2” drain opening
- 1-1/8” faucet holes on 4” centers
- 1-1/2” waste drain opening
- Strainer included
- Z-clip mounting bracket
- Easy to clean and sanitize

MODELS:

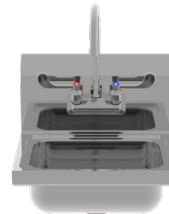
SH12 / SH12SD / SH15 / SH15SD
SH17 / SH17SD / SH17SL / SH17SR



SH12



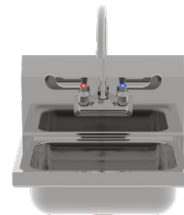
SH12SD



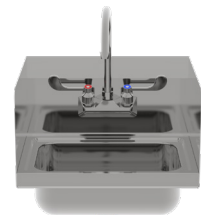
SH15



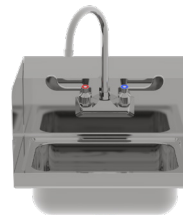
SH15SD



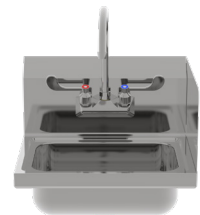
SH17



SH17SD



SH17SL



SH17SR



90 DAYS WARRANTY ON WORKMANSHIP



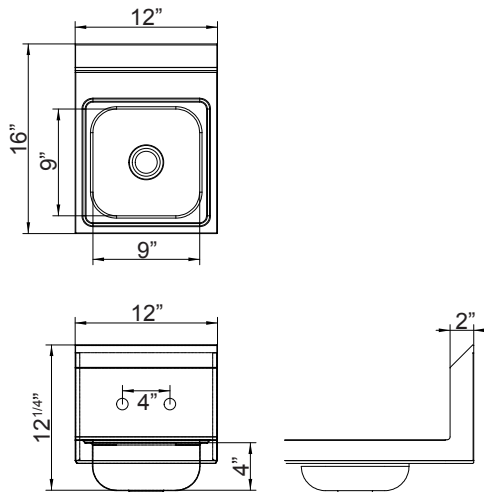
REV. 04/26

SPECIFICATIONS

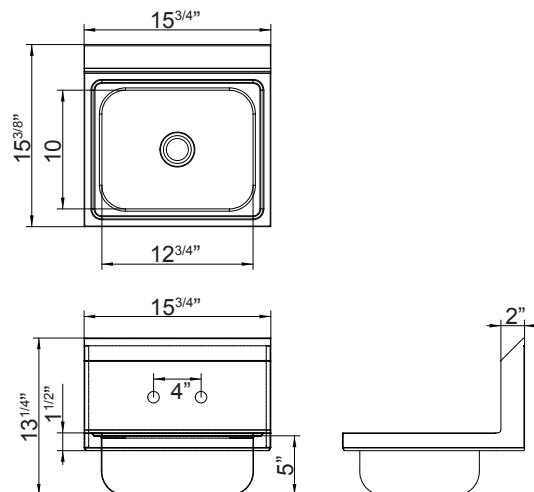
Model	Ga.	Bowl Size (inch)	Pipe Size (inch)	Exterior Dimensions (inch)	Net Weight (lb)	Gross Weight (lb)
SH12	20	9 × 9 × 4	1 ^{1/4}	12 × 16 × 12 ^{1/4}	7.93	10.14
SH12SD	18	9 × 9 × 4	1 ^{1/4}	12 × 16 × 12 ^{1/4}	11.24	14.77
SH15	20	10 × 12 ^{3/4} × 5	1 ^{1/4}	15 ^{3/4} × 15 ^{3/8} × 13 ^{1/4}	9	12.34
SH15SD	18	10 × 12 ^{3/4} × 5	1 ^{1/4}	15 ^{3/4} × 15 ^{3/8} × 13 ^{1/4}	12.56	16.53
SH17	20	10 × 14 × 5	1 ^{1/4}	17 × 15 ^{3/8} × 13 ^{1/4}	9.25	12.56
SH17SD	18	10 × 14 × 5	1 ^{1/4}	17 × 15 ^{3/8} × 13 ^{1/4}	12.56	17.19
SH17SL	18	10 × 14 × 5	1 ^{1/4}	17 × 15 ^{3/8} × 13 ^{1/4}	10.8	17.19
SH17SR	18	10 × 14 × 5	1 ^{1/4}	17 × 15 ^{3/8} × 13 ^{1/4}	10.8	17.19

PLAN VIEW

SH12 / SH12SD



SH15 / SH15SD



SH17 / SH17SD / SH17SL / SH17SR

