



"WE MAKE THE KITCHEN BETTER!"

ATOSA USA, INC.

Toll Free: 855-855-0399 Email: info@atosausa.com

www.atosa.com | www.atosausa.com

California, Colorado, Florida, Georgia, Illinois,
New Jersey, Ohio, Texas, Washington

Food Warmers

MODELS:
7700 / 7800

Standard Features

- Stainless steel structure
- Anti-drip well edge
- Lighted on/off switch
- Heat up within 10 minutes
- Adjustable temperature settings
- The 7700 is a warmer and the 7800 is a cooker/warmer

7700



7800



90 DAYS WARRANTY ON WORKMANSHIP



REV. 08/23



ATOSA USA, INC.

Toll Free: 855-855-0399 Email: info@atosausa.com

www.atosa.com | www.atosausa.com

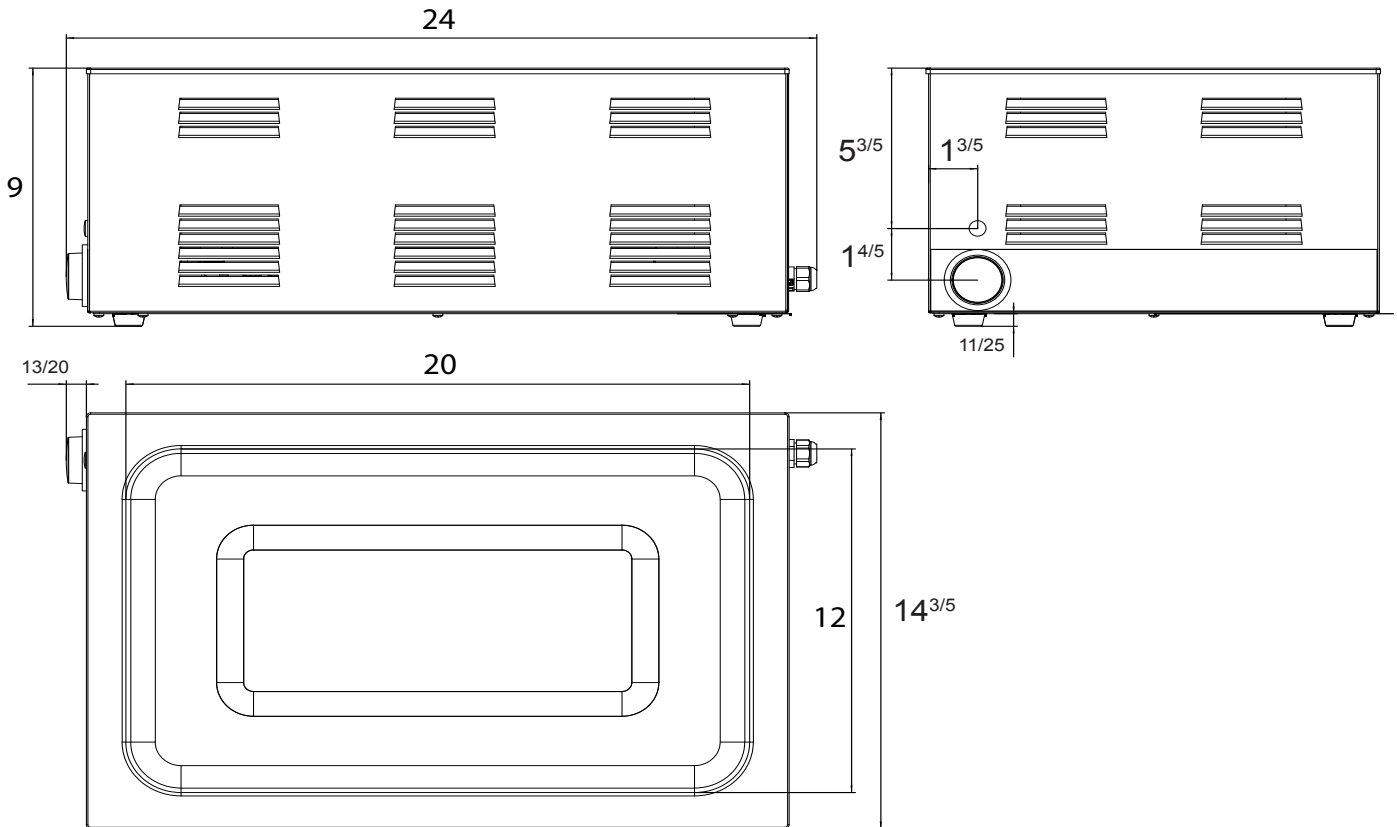
California, Colorado, Florida, Georgia, Illinois,
New Jersey, Ohio, Texas, Washington

“WE MAKE THE KITCHEN BETTER!”

SPECIFICATIONS

Model	Control Type	Amps	Hertz	Voltage	Power(W)	Number of Wells	Interior Dimensions (inch)	Exterior Dimensions (inch)	Net Weight (lbs)	Gross Weight (lbs)
7700	Infinite	10	60	120	1200	1	20 × 12 × 6 ^{1/2}	24 × 14 ^{3/5} × 9	16.27	18.47
7800	Infinite	10	60	120	1500	1	20 × 12 × 6 ^{1/2}	24 × 14 ^{3/5} × 9	16.27	18.47

PLAN VIEW



Anti-drip well edge



Power and temperature dial

