



“WE MAKE THE KITCHEN BETTER!”

Toll Free: 855-855-0399 Email: info@atosausa.com
www.atosa.com | www.atosausa.com
California, Colorado, Florida, Georgia, Illinois,
New Jersey, Ohio, Texas, Washington

MODELS:
RDCS-35 / RDCS-48 / RDCS-60

Floor Model Refrigerated Square Display Cases

Standard Features

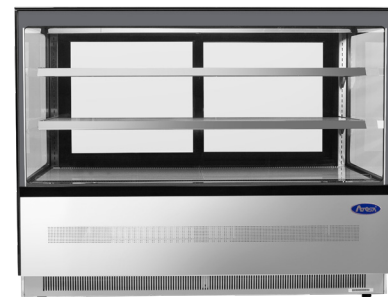
- Stainless steel exterior & interior
- Full electronic digital controller
- Two (2) stainless steel adjustable shelves standard
- LED interior lighting on each shelf and top of cabinet
- Double pane tempered glass with front defog feature
- Rear mount compressor with environmentally friendly R-290 refrigerant
- Maintains temperatures between 33 °F - 38 °F
- 2” casters standard
- Magnetic door gasket(s) standard for a positive door seal
- Two (2) rear sliding doors
- NEMA 5-15P plug standard
- Optional extended parts and labor warranty up to 5 years



RDCS-35



RDCS-48



RDCS-60

For the best results of food preservation we recommend setting your refrigerator between 33 °F to 38 °F

1. Don't forget to leave the unit some room to breathe!
2. Please clean the condenser frequently to give the unit more fresh air.



2 YEAR PARTS AND LABOR WARRANTY (US ONLY)
5 YEAR COMPRESSOR PART WARRANTY (US ONLY)





"WE MAKE THE KITCHEN BETTER!"

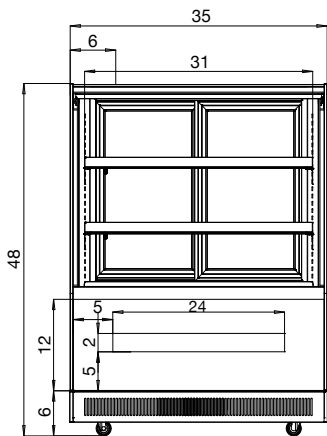
Toll Free: 855-855-0399 Email: info@atosausa.com
 www.atosa.com | www.atosausa.com
 California, Colorado, Florida, Georgia, Illinois,
 New Jersey, Ohio, Texas, Washington

SPECIFICATIONS

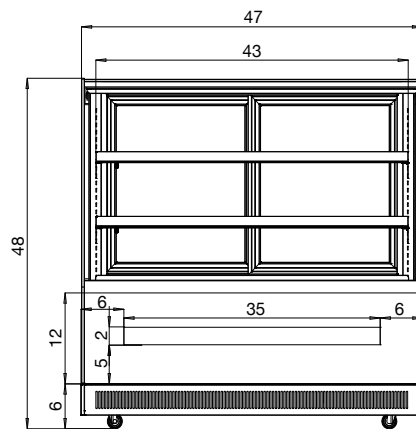
Models	Door	Capacity (Cu.Ft.)	Shelves	Casters (inch)	Amps (A)	Voltage (V/Hz/Ph)	HP	Refrigerant	Exterior Dimensions (inch)	Net Weight (lbs)	Gross Weight (lbs)
RDCS-35	2	10.9	2	2	5.5	120/60/1	1/4	R290	35 ^{2/5} ×29 ^{1/2} ×47 ^{4/5}	386	487
RDCS-48	2	15.1	2	2	6.2	120/60/1	1/4	R290	47 ^{1/5} ×29 ^{1/2} ×47 ^{4/5}	454	573
RDCS-60	2	20.2	2	2	11.5	120/60/1	1/2	R290	59×29 ^{1/2} ×47 ^{4/5}	540	670

PLAN VIEW

RDCS-35



RDCS-48



RDCS-60

