



T&S BRASS AND BRONZE WORKS, INC.
 2 Saddleback Cove / P.O. Box 1088
 Travelers Rest, SC 29690

Model No.
B-0102-C

Item No.

Travelers Rest, SC: 800-476-4103 • Simi Valley, CA: 800-423-0150 • Fax: 864-834-3518 • www.tsbrass.com

This Space for Architect/Engineer Approval

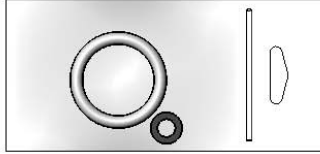
Job Name _____ Date _____

Model Specified _____ Quantity _____

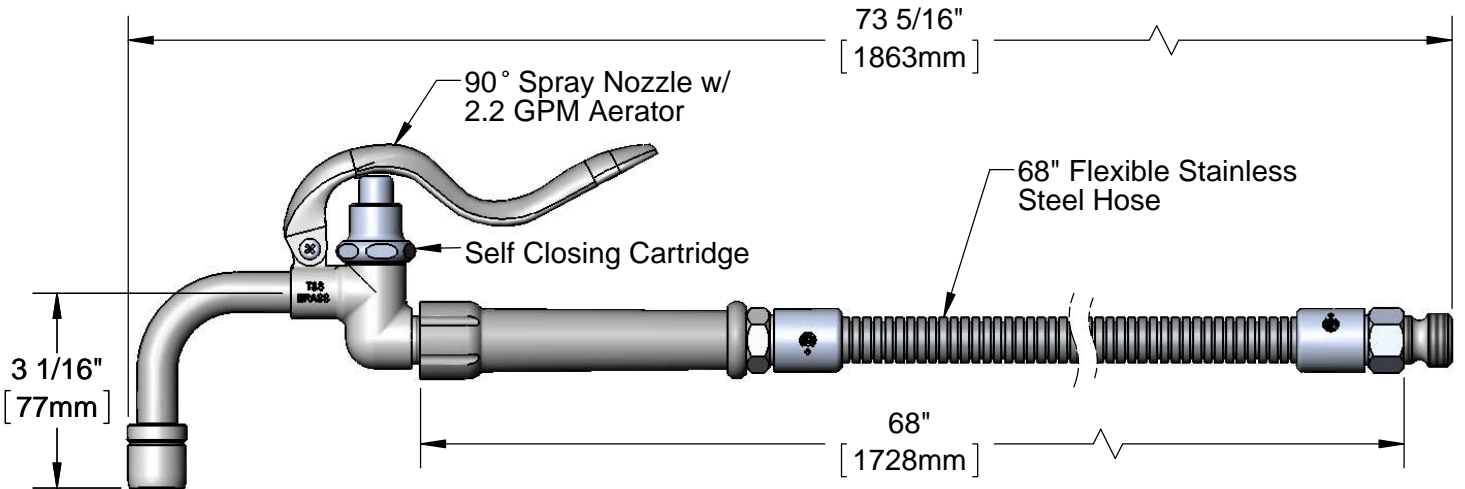
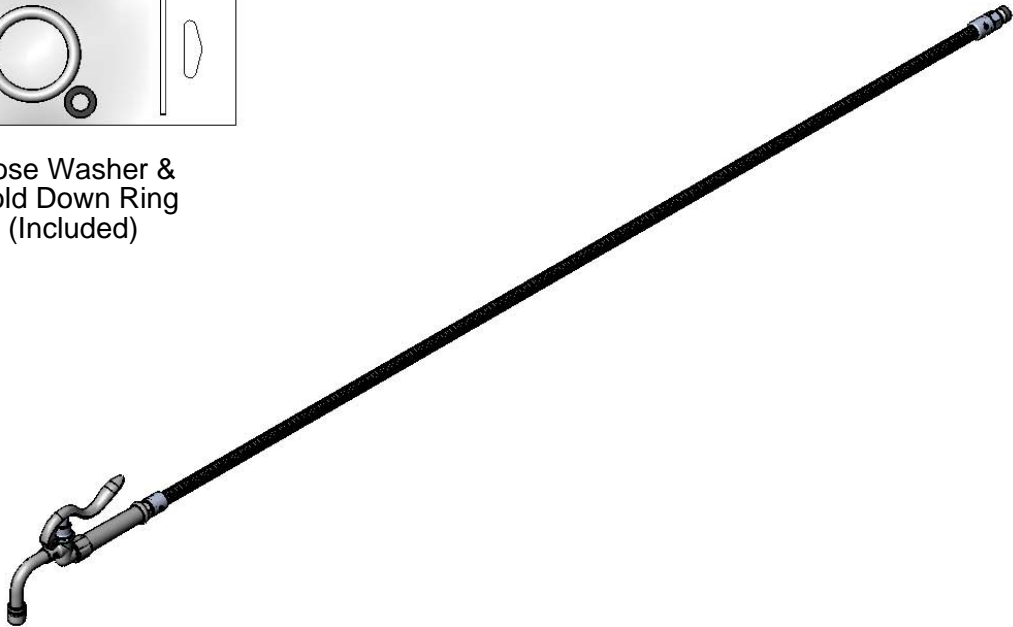
Customer/Wholesaler _____

Contractor _____

Architect/Engineer _____



Hose Washer &
 Hold Down Ring
 (Included)



Product Specifications:

Pot & Glass Filler w/ Automatic Shut-Off Valve, 90° Angled Nozzle, 2.2 GPM Aerator & 68" Flexible Stainless Steel Hose w/ Adapter

Product Compliance:

ASME A112.18.1 / CSA B125.1
 NSF 61 - Section 9
 NSF 372 (Low Lead Content)
 EPA Act 2005 Non-Compliant (PRSV)
 Product Not Designed/Intended for
 Commercial Warewashing in North America



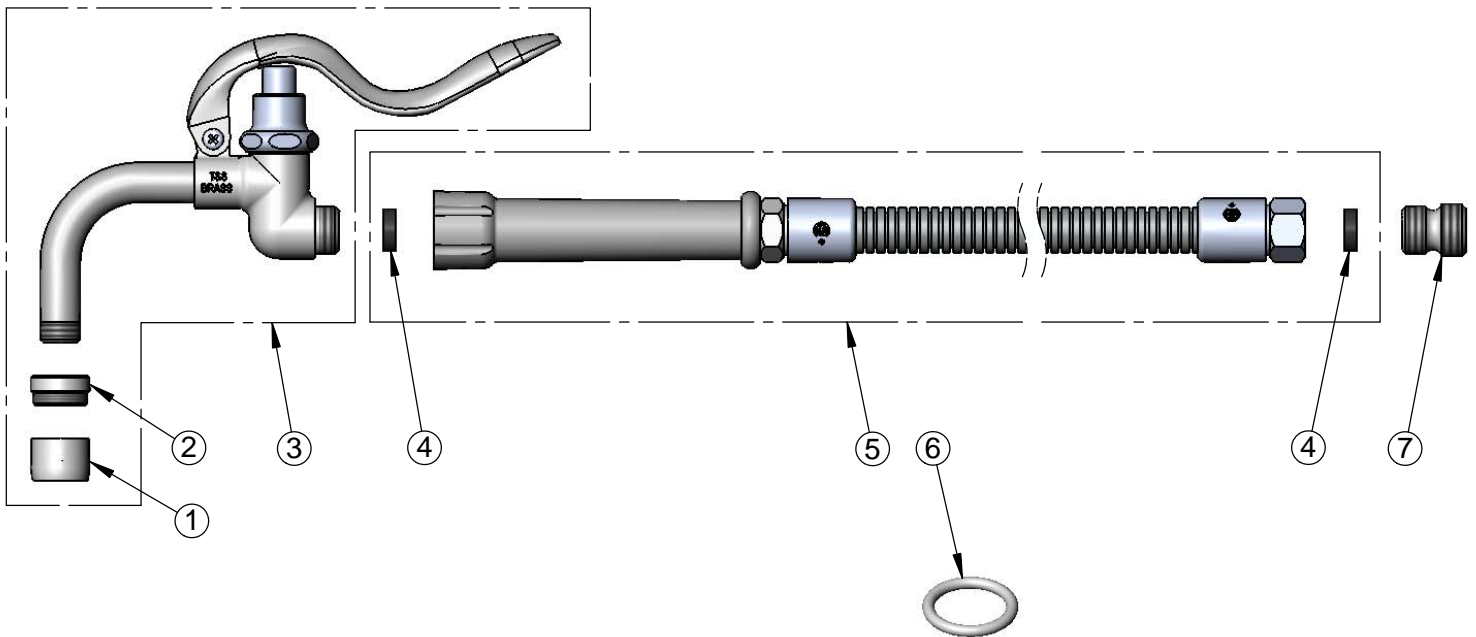
T&S BRASS AND BRONZE WORKS, INC.
 2 Saddleback Cove / P.O. Box 1088
 Travelers Rest, SC 29690

Model No.
B-0102-C

Item No.

Travelers Rest, SC: 800-476-4103 • Simi Valley, CA: 800-423-0150 • Fax: 864-834-3518 • www.tsbrass.com

ITEM NO.	SALES NO.	DESCRIPTION
1	B-0199-01	2.2 GPM Aerator, 55/64"-27 UN Female
2	000554-25	Adapter 55/64-27 Male Thread x 5/8-27 Female Thread
3	009937-40	90° Spray Nozzle w/ 2.2 GPM Aerator
4	010476-45	#27 Washer
5	B-0068-H	68" Flexible Stainless Steel Hose
6	000907-45	Spray Valve Hold Down Ring
7	055A	Adapter, 1/2 NPT Male



Product Specifications:

Pot & Glass Filler w/ Automatic Shut-Off Valve, 90° Angled Nozzle, 2.2 GPM Aerator & 68" Flexible Stainless Steel Hose w/ Adapter

Product Compliance:

ASME A112.18.1 / CSA B125.1
 NSF 61 - Section 9
 NSF 372 (Low Lead Content)
 EPA Act 2005 Non-Compliant (PRSV)
 Product Not Designed/Intended for
 Commercial Warewashing in North America