



T&S BRASS AND BRONZE WORKS, INC.
 2 Saddleback Cove / P.O. Box 1088
 Travelers Rest, SC 29690

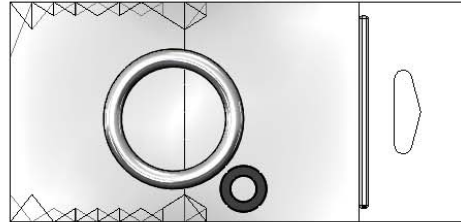
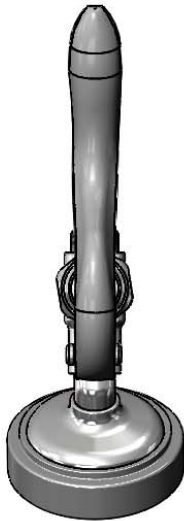
Model No.
B-0107-035

Item No.

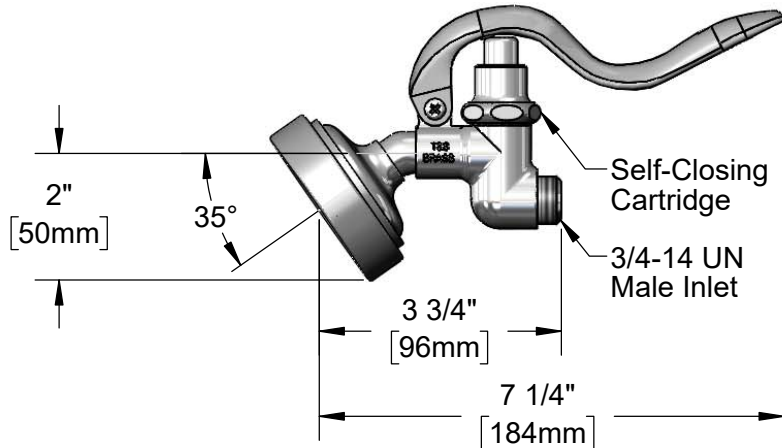
Travelers Rest, SC: 800-476-4103 • Simi Valley, CA: 800-423-0150 • Fax: 864-834-3518 • www.tsbrass.com

This Space for Architect/Engineer Approval

Job Name _____ Date _____
 Model Specified _____ Quantity _____
 Customer/Wholesaler _____
 Contractor _____
 Architect/Engineer _____



Hose Washer &
 Hold Down Ring
 (Included)



Product Specifications:
**Pre-Rinse Self-Closing Angled Spray Valve w/ Rubber Bumper
 & 1.15 GPM Spray Face**

Product Compliance:
 ASME A112.18.1 / CSA B125.1
 NSF 61 - Section 9
 NSF 372 (Low Lead Content)
 2019 DOE PRSV - Class II



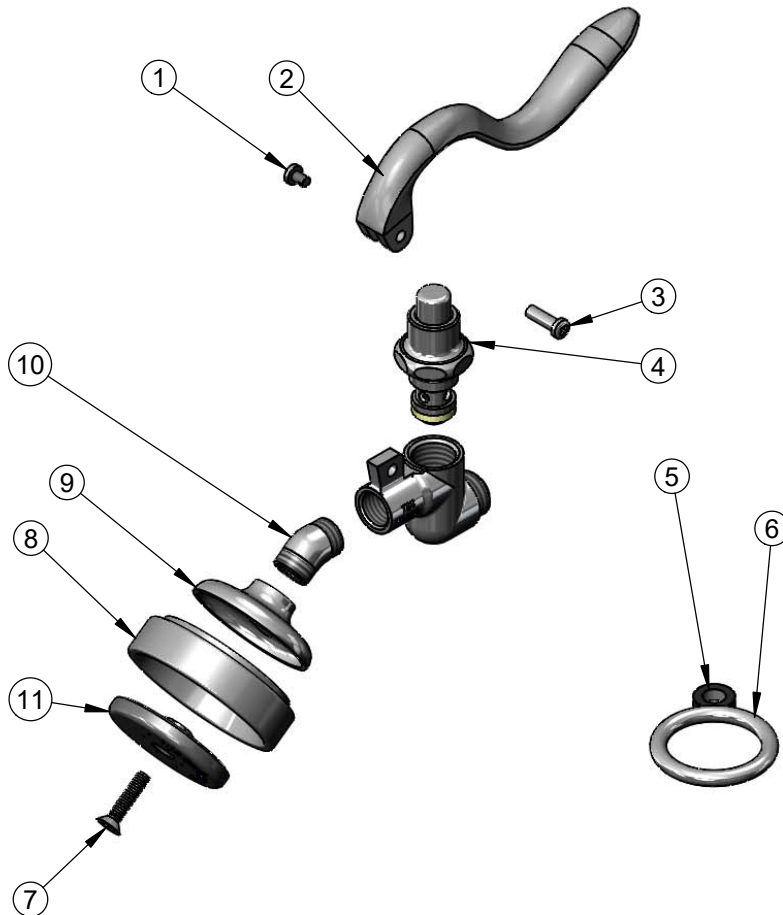
T&S BRASS AND BRONZE WORKS, INC.
 2 Saddleback Cove / P.O. Box 1088
 Travelers Rest, SC 29690

Model No.
B-0107-035

Item No.

Travelers Rest, SC: 800-476-4103 • Simi Valley, CA: 800-423-0150 • Fax: 864-834-3518 • www.tsbrass.com

ITEM NO.	SALES NO.	DESCRIPTION
1	003199-45	Spray Valve Handle Screw
2	001120-45	Spray Valve Handle
3	003198-45	Spray Valve Handle Nut
4	002856-40	Spray Valve Bonnet
5	010476-45	#27 Washer
6	000907-45	Spray Valve Hold Down Ring
7	000913-45	Screw
8	007861-45	Spray Valve Sprayhead Ring
9	000019-40	Spray Valve Cup
10	0032	35° Elbow 5/8-27 UN Male x Male, Plated
11	001121-45	Spray Valve Spray Face



Product Specifications:
**Pre-Rinse Self-Closing Angled Spray Valve w/ Rubber Bumper
 & 1.15 GPM Spray Face**

Product Compliance:
 ASME A112.18.1 / CSA B125.1
 NSF 61 - Section 9
 NSF 372 (Low Lead Content)
 2019 DOE PRSV - Class II