



T&S BRASS AND BRONZE WORKS, INC.
 2 SADDLEBACK COVE / P.O. BOX 1088 / TRAVELERS REST, SC 29690
 PHONE 800-476-4103 FAX 864- 834-3518

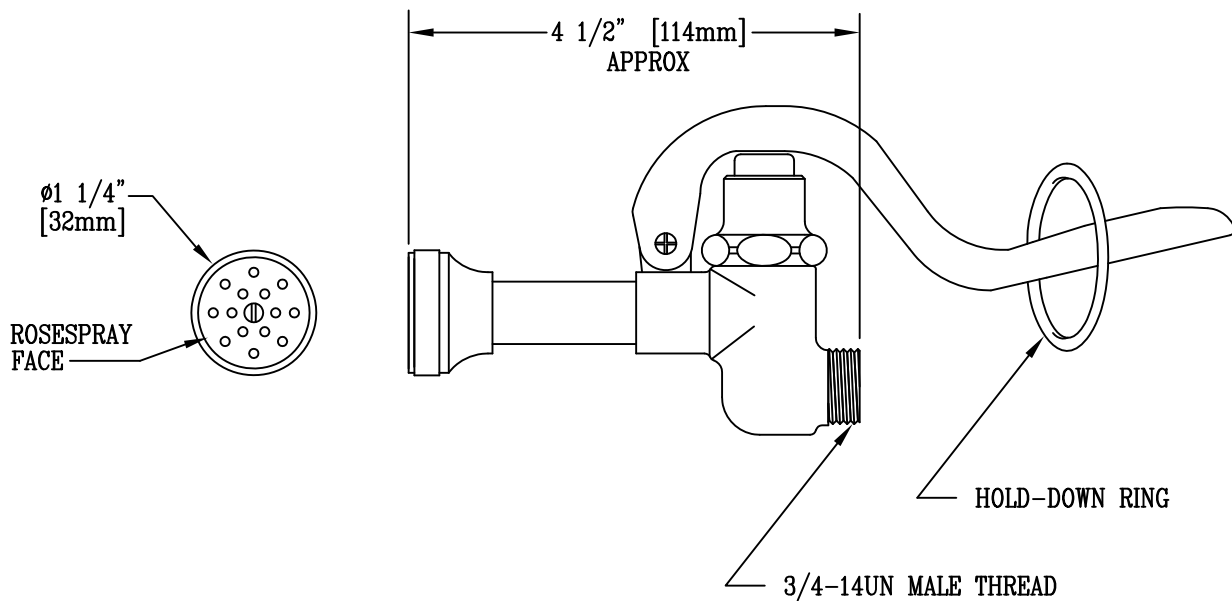


Model No.
 B-0107-B
 Item No.:

Job Name: _____ Architect/Engineer Approval: _____

Notes:

EPAct2005 NON-COMPLIANT



Product Description: SPRAY VALVE UNIT: ROSESPRAY OUTLET (NOT RATED FOR COMMERCIAL WAREWASHING)	Drawn: MCW	Checked MW	Scale: 6"=1'
	Approved CA		Date: 10/12/95