



T&S BRASS AND BRONZE WORKS, INC.
 2 Saddleback Cove / P.O. Box 1088
 Travelers Rest, SC 29690

Model No.
B-0107-QD

Item No.

Travelers Rest, SC: 800-476-4103 • Simi Valley, CA: 800-423-0150 • Fax: 864-834-3518 • www.tsbrass.com

This Space for Architect/Engineer Approval

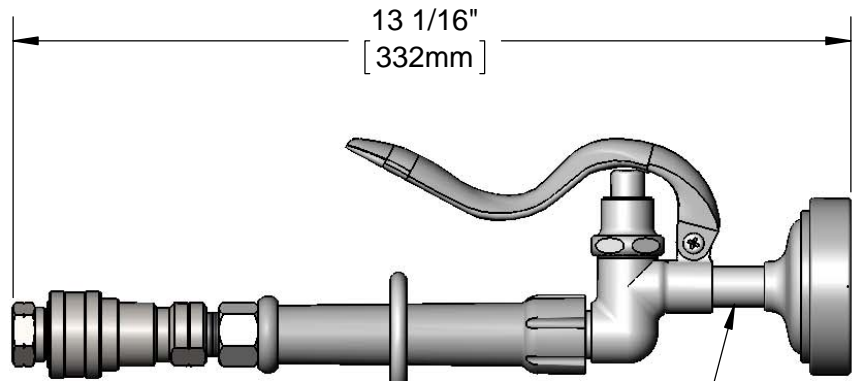
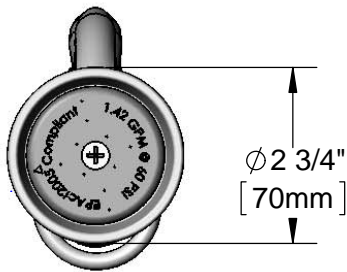
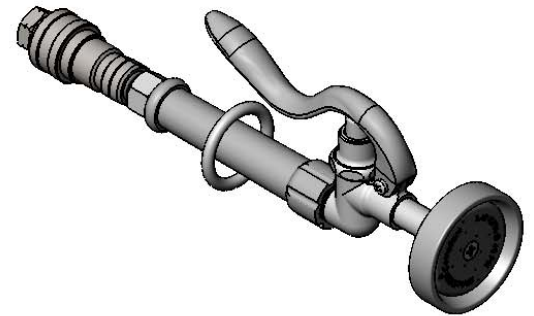
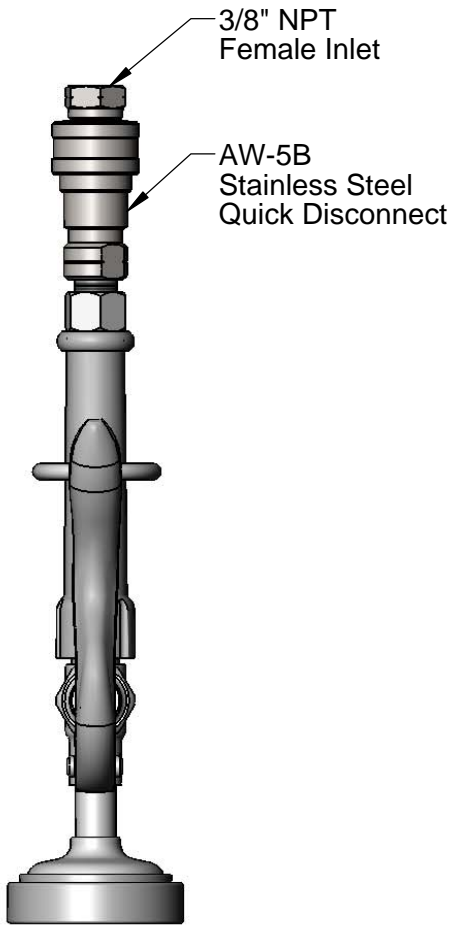
Job Name _____ Date _____

Model Specified _____ Quantity _____

Customer/Wholesaler _____

Contractor _____

Architect/Engineer _____



B-0107
 1.42 GPM
 Gray Spray Valve

Product Specifications:
 Gray Spray Valve w/ Handle, Hold Down Ring, & Stainless Steel Quick Disconnect

Product Compliance:
 ASME A112.18.1 / CSA B125.1
 NSF 61 - Section 9
 NSF 372 (Low Lead Content)
 EPA Act 2005 (PRSV)



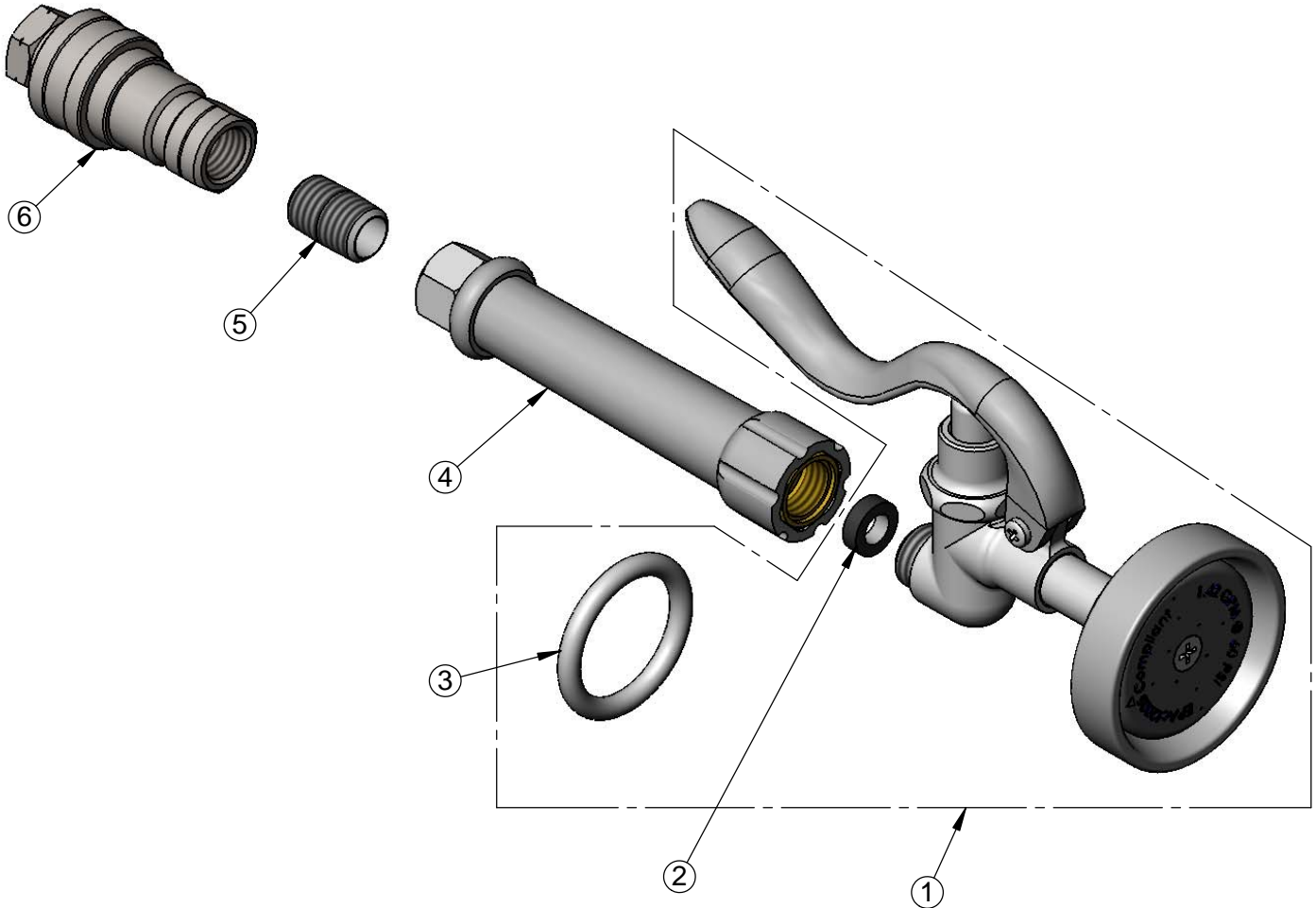
T&S BRASS AND BRONZE WORKS, INC.
 2 Saddleback Cove / P.O. Box 1088
 Travelers Rest, SC 29690

Model No.
B-0107-QD

Item No.

Travelers Rest, SC: 800-476-4103 • Simi Valley, CA: 800-423-0150 • Fax: 864-834-3518 • www.tsbrass.com

ITEM NO.	SALES NO.	DESCRIPTION
1	B-0107	1.42 GPM Gray Spray Valve
2	010476-45	#27 Washer
3	00907-45	Spray Valve Hold Down Ring
4	002881-40	3/8" NPT Handle
5	002535-25	3/8" Close Nipple
6	AW-5B	3/8" NPT Stainless Steel Quick Disconnect



Product Specifications:
 Gray Spray Valve w/ Handle, Hold Down Ring, & Stainless Steel Quick Disconnect

Product Compliance:
 ASME A112.18.1 / CSA B125.1
 NSF 61 - Section 9
 NSF 372 (Low Lead Content)
 EPA Act 2005 (PRSV)