



**T&S BRASS AND BRONZE WORKS, INC.**  
 2 Saddleback Cove / P.O. Box 1088  
 Travelers Rest, SC 29690

Model No.  
**B-0107**

Item No.

Travelers Rest, SC: 800-476-4103 • Simi Valley, CA: 800-423-0150 • Fax: 864-834-3518 • www.tsbrass.com

This Space for Architect/Engineer Approval

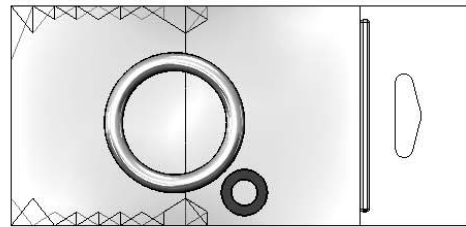
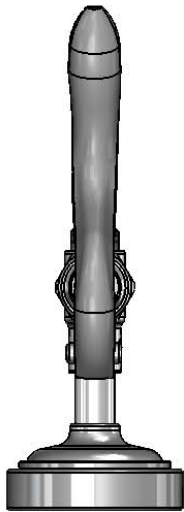
Job Name \_\_\_\_\_ Date \_\_\_\_\_

Model Specified \_\_\_\_\_ Quantity \_\_\_\_\_

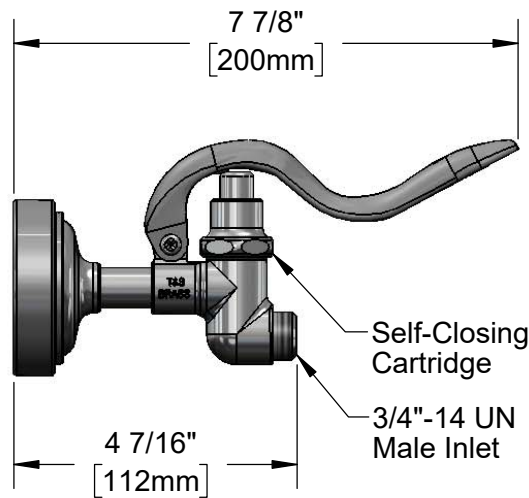
Customer/Wholesaler \_\_\_\_\_

Contractor \_\_\_\_\_

Architect/Engineer \_\_\_\_\_



Hose Washer &  
 Hold Down Ring  
 (Included)



Flow Rate: 1.15 GPM (4.35 Lpm) @ 60 psi  
 Spray Force: 7.5 Ozf (212 Gramf) @ 60 psi

Product Specifications:  
**Pre-Rinse Self-Closing Spray Valve w/ Rubber Bumper  
 & 1.15 GPM Flow Control Spray Face**

Product Compliance:  
 ASME A112.18.1 / CSA B125.1  
 NSF 61 - Section 9  
 NSF 372 (Low Lead Content)  
 2019 DOE PRSV - Class II



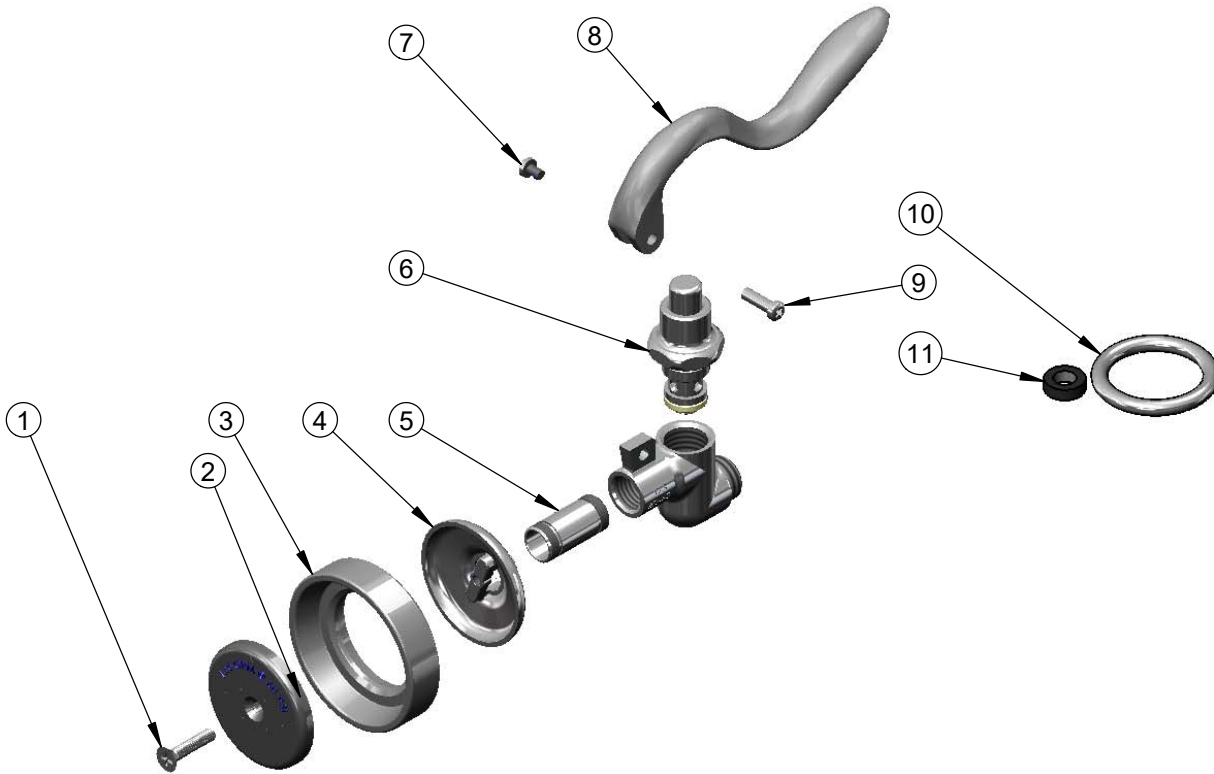
**T&S BRASS AND BRONZE WORKS, INC.**  
 2 Saddleback Cove / P.O. Box 1088  
 Travelers Rest, SC 29690

Model No.  
**B-0107**

Item No.

Travelers Rest, SC: 800-476-4103 • Simi Valley, CA: 800-423-0150 • Fax: 864-834-3518 • www.tsbrass.com

| ITEM NO. | SALES NO. | DESCRIPTION                      |
|----------|-----------|----------------------------------|
| 1        | 000913-45 | Screw                            |
| 2        | 001121-45 | Spray Valve Spray Face           |
| 3        | 007861-45 | Spray Valve Sprayhead Ring       |
| 4        | 000019-40 | Spray Valve Spray Cup            |
| 5        | 000694-40 | Spray Valve Short Nipple, Plated |
| 6        | 002856-40 | Spray Valve Bonnet               |
| 7        | 003199-45 | Spray Valve Handle Screw         |
| 8        | 001120-45 | Spray Valve Handle               |
| 9        | 003198-45 | Spray Valve Handle Nut           |
| 10       | 000907-45 | Spray Valve Hold Down Ring       |
| 11       | 010476-45 | #27 Washer                       |



Product Specifications:  
**Pre-Rinse Self-Closing Spray Valve w/ Rubber Bumper  
 & 1.15 GPM Flow Control Spray Face**

Product Compliance:  
 ASME A112.18.1 / CSA B125.1  
 NSF 61 - Section 9  
 NSF 372 (Low Lead Content)  
 2019 DOE PRSV - Class II