



**T&S BRASS AND BRONZE WORKS, INC.**  
 2 Saddleback Cove / P.O. Box 1088  
 Travelers Rest, SC 29690

Model No.  
**B-0108-GH**

Item No.

Travelers Rest, SC: 800-476-4103 • Simi Valley, CA: 800-423-0150 • Fax: 864-834-3518 • www.tsbrass.com

This Space for Architect/Engineer Approval

Job Name \_\_\_\_\_ Date \_\_\_\_\_

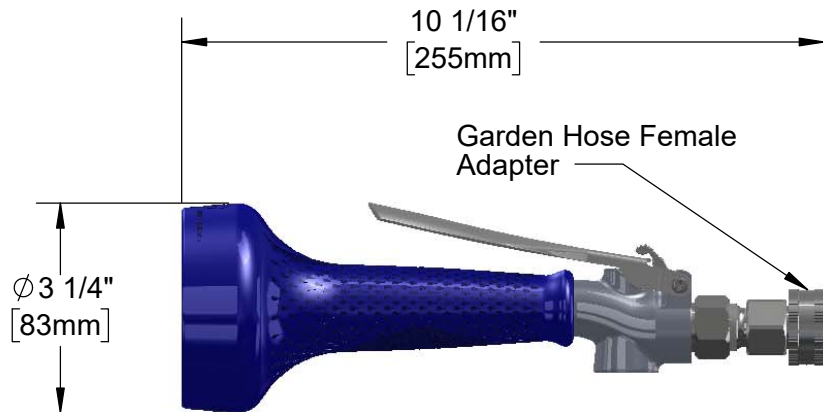
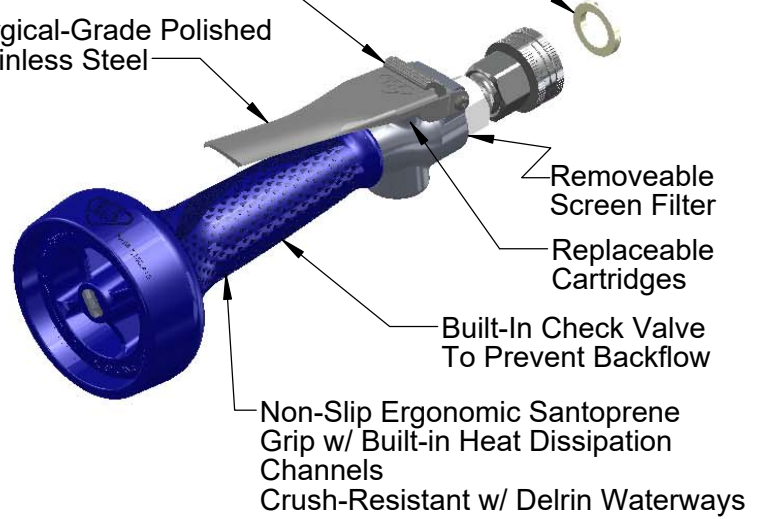
Model Specified \_\_\_\_\_ Quantity \_\_\_\_\_

Customer/Wholesaler \_\_\_\_\_

Contractor \_\_\_\_\_

Architect/Engineer \_\_\_\_\_

- Washer For Hose Connection (Included)
- One-Handed Metal Trigger Lock w/ Added Anti-Rotational Feature
- Surgical-Grade Polished Stainless Steel
- Removeable Screen Filter
- Replaceable Cartridges
- Built-In Check Valve To Prevent Backflow
- Non-Slip Ergonomic Santoprene Grip w/ Built-in Heat Dissipation Channels
- Crush-Resistant w/ Delrin Waterways



**Product Specifications:**  
 1.07 GPM Spray Valve w/ Ergo-Grip, Replaceable Spray Face, Integrated One-Handed Trigger Lock & Garden Hose Adapter

**Product Compliance:**  
 ASME A112.18.1 / CSA B125.1  
 NSF 61 Exempt (Non-Potable)  
 NSF 372 (Low Lead Content)  
 EPA Act 2005 (PRSV)

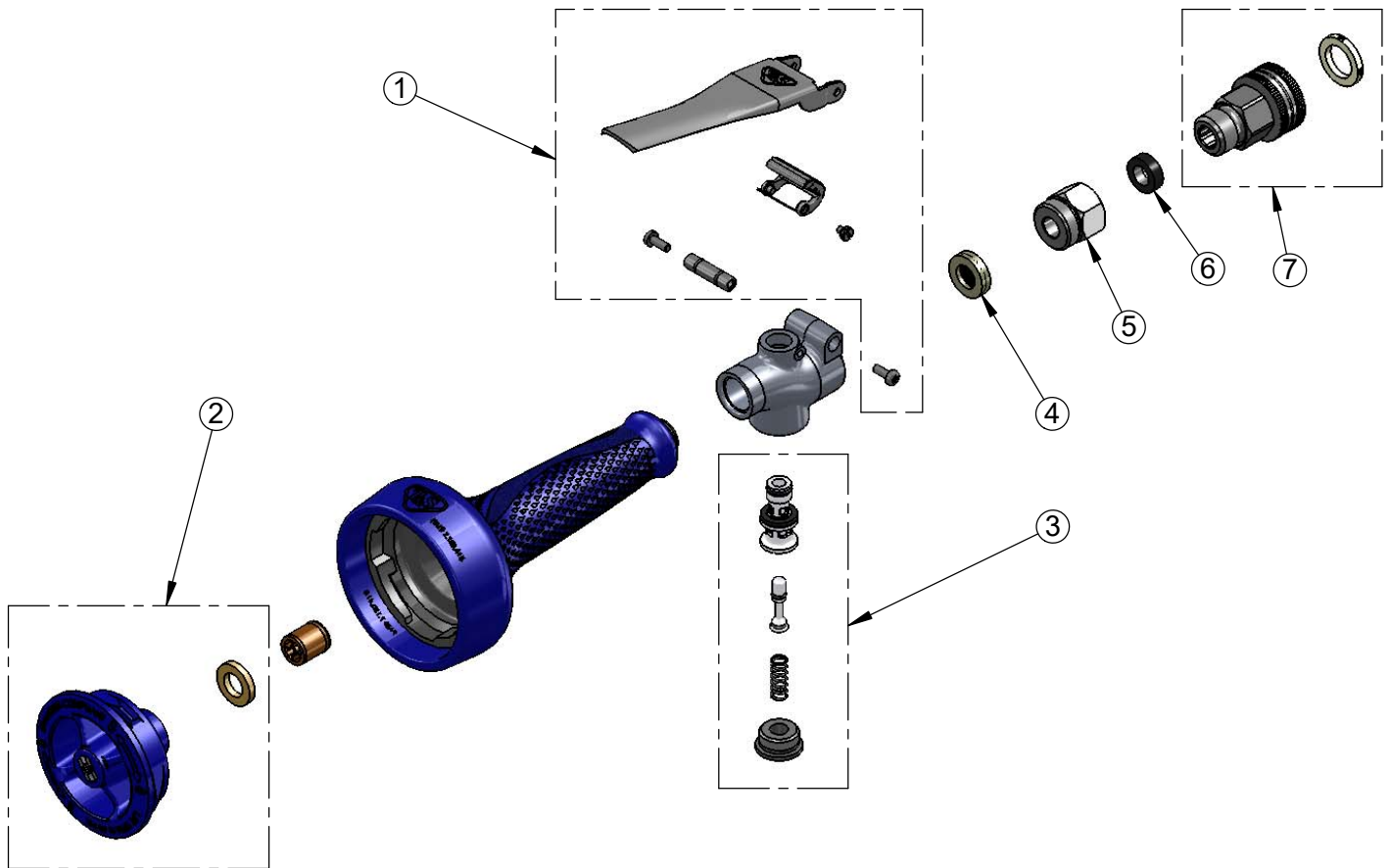


**T&S BRASS AND BRONZE WORKS, INC.**  
 2 Saddleback Cove / P.O. Box 1088  
 Travelers Rest, SC 29690

Model No.  
**B-0108-GH**  
 Item No.

Travelers Rest, SC: 800-476-4103 • Simi Valley, CA: 800-423-0150 • Fax: 864-834-3518 • www.tsbrass.com

ITEM NO.	SALES NO.	DESCRIPTION
1	108T-RK	Trigger Repair Kit
2	108SF-RK	Spray Face Repair Kit
3	108V-RK	Valve Repair Kit
4	108S-RK	Inlet Screen/Washer Repair Kit
5	000729-40	Nut, 7/8-20 Male x 3/4-14 Female
6	010476-45	#27 Washer
7	059A	Adapter, Garden Hose



**Product Specifications:**  
 1.07 GPM Spray Valve w/ Ergo-Grip, Replaceable Spray Face, Integrated One-Handed Trigger Lock & Garden Hose Adapter

**Product Compliance:**  
 ASME A112.18.1 / CSA B125.1  
 NSF 61 Exempt (Non-Potable)  
 NSF 372 (Low Lead Content)  
 EPA Act 2005 (PRSV)