



T&S BRASS AND BRONZE WORKS, INC.

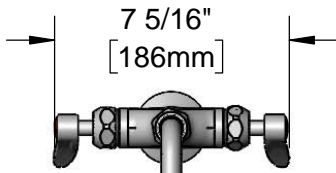
2 Saddleback Cove / P.O. Box 1088
Travelers Rest, SC 29690

Model No.

B-0201-CR

Item No.

Travelers Rest, SC: 800-476-4103 • Simi Valley, CA: 800-423-0150 • Fax: 864-834-3518 • www.tsbrass.com



7 5/16"
[186mm]



ADA Compliant

This Space for Architect/Engineer Approval

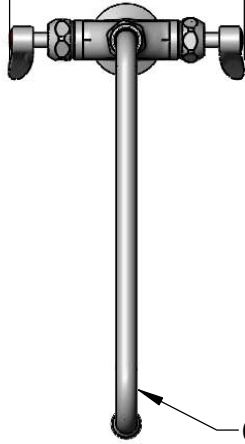
Job Name _____ Date _____

Model Specified _____ Quantity _____

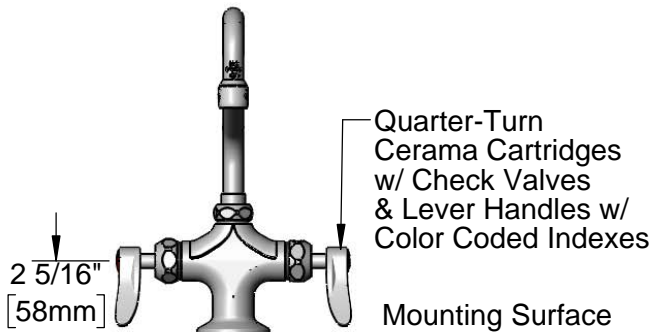
Customer/Wholesaler _____

Contractor _____

Architect/Engineer _____



062X
12" Swing Nozzle w/
Stream Regulator Outlet



2 5/16"
[58mm]

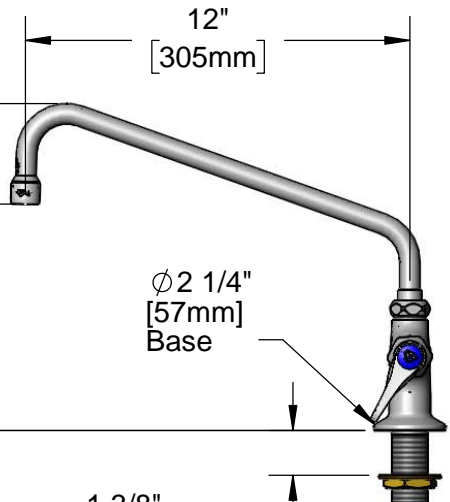
Quarter-Turn
Cerama Cartridges
w/ Check Valves
& Lever Handles w/
Color Coded Indexes

Mounting Surface

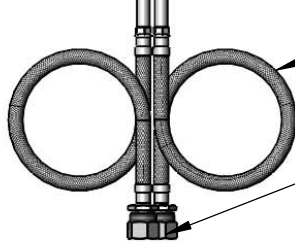
10 3/16"
[259mm]

7 1/16"
[180mm]

Ø 2 1/4"
[57mm]
Base



12"
[305mm]



18" Flexible
Stainless Steel
Supply Hoses

Compression Fittings
for 5/8" O.D. Copper Tubing
(Remove Compression Nut
for 1/2" NPSM Male)

1 3/8"
[35mm]
Maximum
Thickness

Rough-In Requirement:
Ø 1 1/2" [38mm] Mounting Hole

Product Specifications:

Single Hole, Deck Mount, Mixing Faucet w/ Quarter-Turn Cerama Cartridges w/ Check Valves, Lever Handles, 12" Swing Nozzle, Stream Regulator Outlet & 18" Flexible Stainless Steel Supply Hoses w/ 1/2" NPSM Male Inlets

Product Compliance:

ASME A112.18.1 / CSA B125.1
NSF 61 - Section 9
NSF 372 (Low Lead Content)
ANSI A117.1 (ADA)



T&S BRASS AND BRONZE WORKS, INC.

2 Saddleback Cove / P.O. Box 1088
Travelers Rest, SC 29690

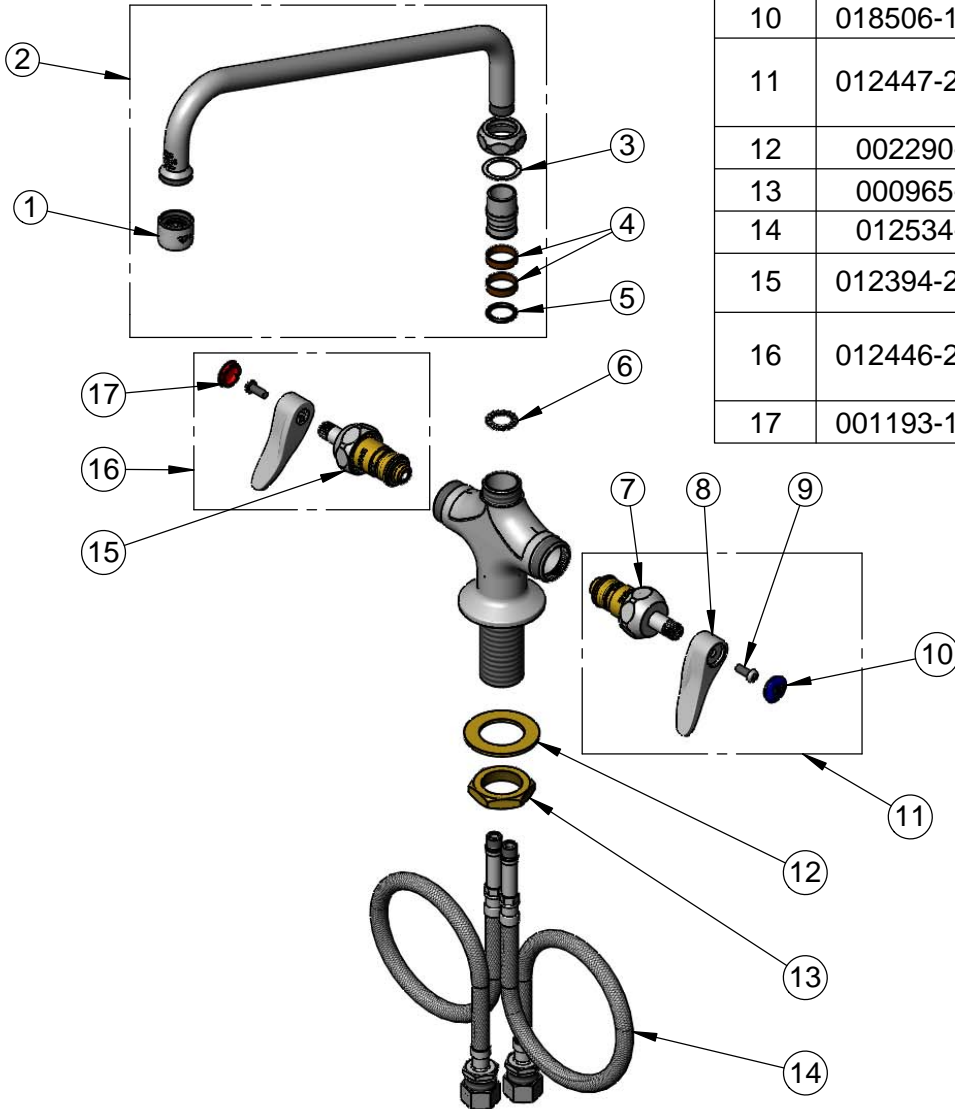
Model No.

B-0201-CR

Item No.

Travelers Rest, SC: 800-476-4103 • Simi Valley, CA: 800-423-0150 • Fax: 864-834-3518 • www.tsbrass.com

ITEM NO.	SALES NO.	DESCRIPTION
1	B-PT	Full Flow Stream Regulator
2	062X	
3	009538-45	Swivel Washer
4	011429-45	Swivel Sleeves (2)
5	001074-45	O-Ring
6	014200-45	Star Washer, Anti-Rotation
7	012395-25NS	Quarter-Turn Cerama Cartridge, RTC
8	001638-45NS	Lever Handle (New Style)
9	000925-45	Lab Handle Screw
10	018506-19NS	Blue Button Index, Press-in
11	012447-25NS	Quarter-Turn Cerama Cartridge w/ Check Valve, Handle, Blue Index & Screw, LTC
12	002290-45	Lock Washer
13	000965-45	Lock Nut
14	012534-45	18" Flexible Supply Hose (2)
15	012394-25NS	Quarter-Turn Cerama Cartridge w/ Check Valve, RTC
16	012446-25NS	Quarter-Turn Cerama Cartridge w/ Check Valve, Handle, Red Index & Screw, RTC
17	001193-19NS	Red Button Index, Press-in



Product Specifications:

Single Hole, Deck Mount, Mixing Faucet w/ Quarter-Turn Cerama Cartridges w/ Check Valves, Lever Handles, 12" Swing Nozzle, Stream Regulator Outlet & 18" Flexible Stainless Steel Supply Hoses w/ 1/2" NPSM Male Inlets

Product Compliance:

ASME A112.18.1 / CSA B125.1
NSF 61 - Section 9
NSF 372 (Low Lead Content)
ANSI A117.1 (ADA)