



T&S BRASS AND BRONZE WORKS, INC.
 2 Saddleback Cove / P.O. Box 1088
 Travelers Rest, SC 29690

Model No.
B-0207

Item No.

Travelers Rest, SC: 800-476-4103 • Simi Valley, CA: 800-423-0150 • Fax: 864-834-3518 • www.tsbrass.com



ADA Compliant

This Space for Architect/Engineer Approval

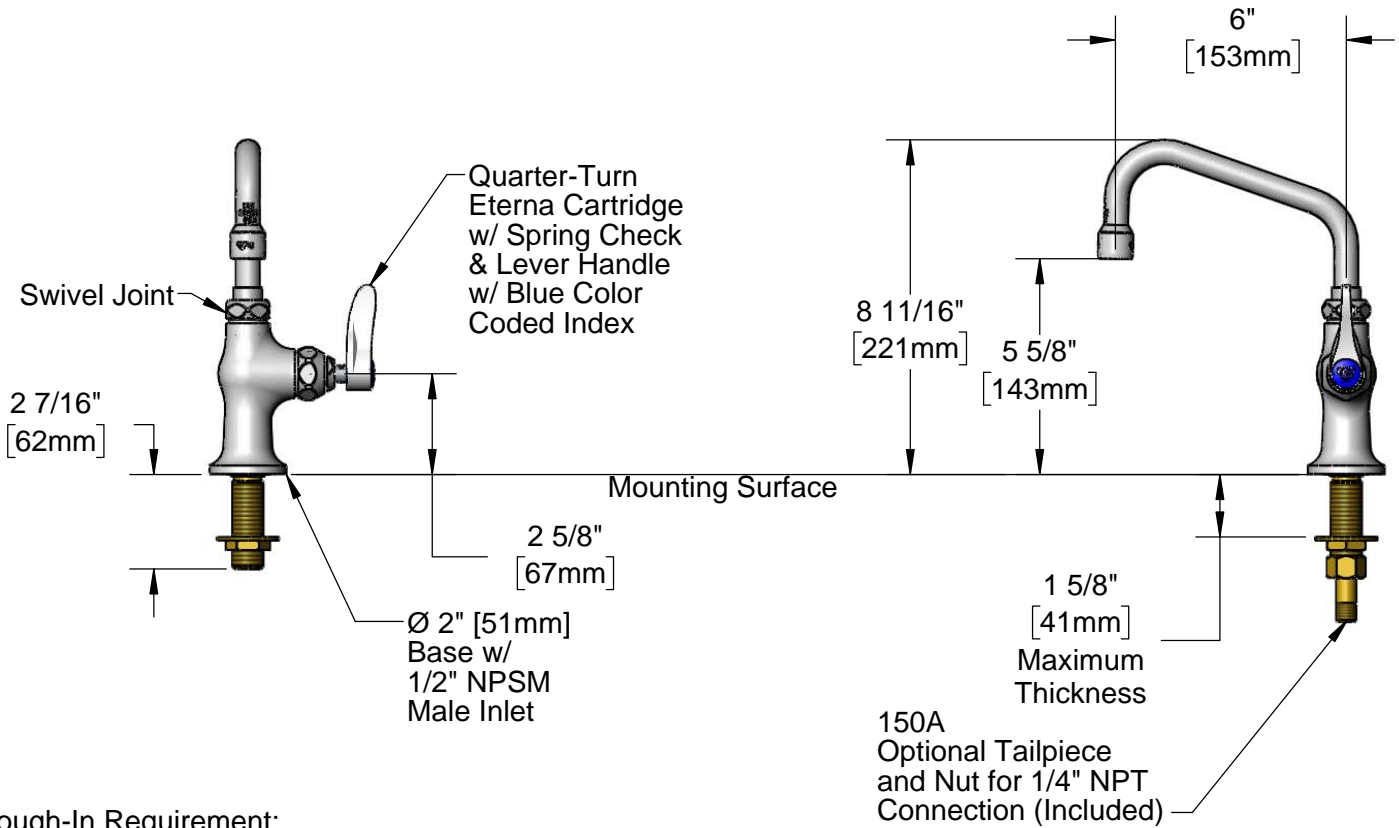
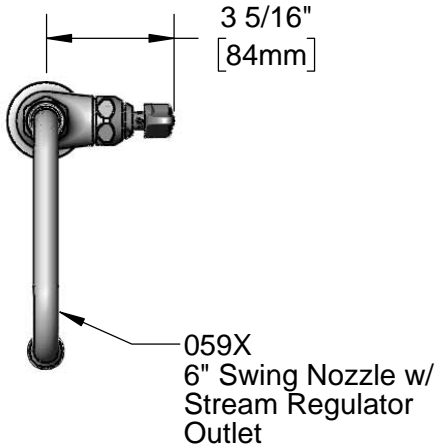
Job Name _____ Date _____

Model Specified _____ Quantity _____

Customer/Wholesaler _____

Contractor _____

Architect/Engineer _____



Rough-In Requirement:
 Ø 1" [25mm] Mounting Hole

Product Specifications:
 Single Hole Single Temperature Deck Mount Faucet, Quarter-Turn Eterna Cartridge w/ Spring Check, Lever Handle, 6" Swing Nozzle & 1/2" NPSM Male Inlet

Product Compliance:
 ASME A112.18.1 / CSA B125.1
 NSF 61 - Section 9
 NSF 372 (Low Lead Content)
 ANSI A117.1 (ADA)



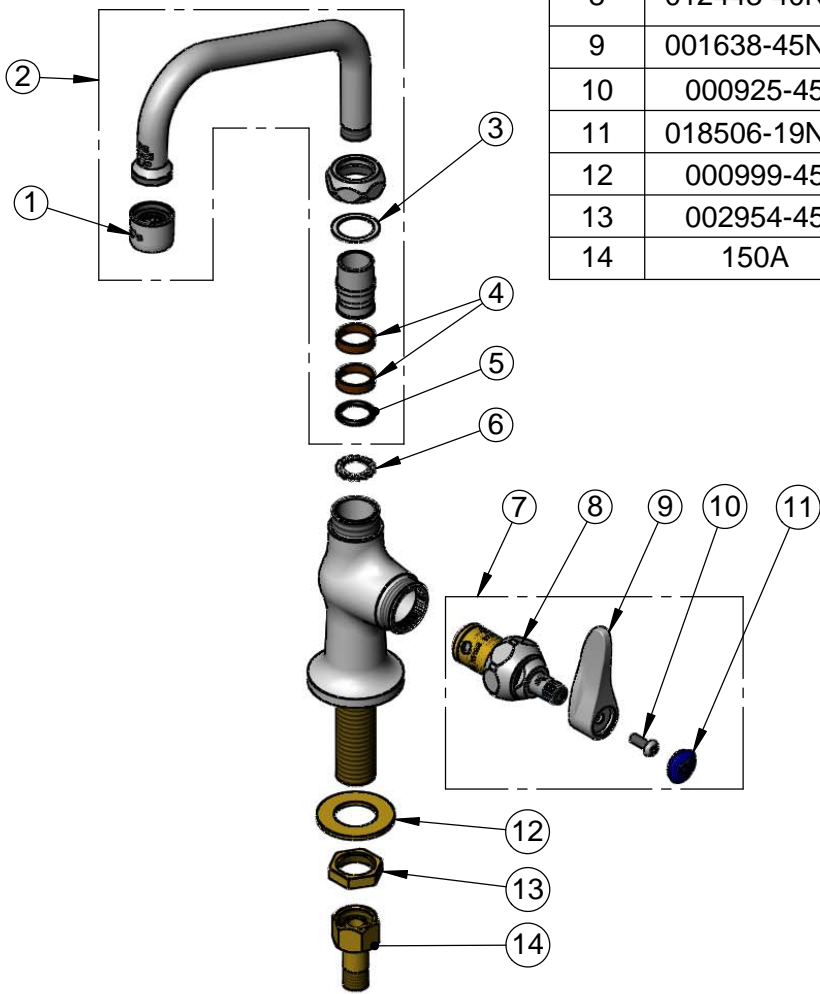
T&S BRASS AND BRONZE WORKS, INC.
 2 Saddleback Cove / P.O. Box 1088
 Travelers Rest, SC 29690

Model No.
B-0207

Item No.

Travelers Rest, SC: 800-476-4103 • Simi Valley, CA: 800-423-0150 • Fax: 864-834-3518 • www.tsbrass.com

ITEM NO.	SALES NO.	DESCRIPTION
1	B-PT	Stream Regulator Outlet
2	059X	6" Swing Nozzle
3	009538-45	Swivel Washer
4	011429-45	Swivel Sleeves (2)
5	001074-45	O-Ring
6	014200-45	Star Washer, Anti-Rotation
7	019639-40	Quarter-Turn Eterna Cartridge RTC w/ Spring Check, Handle, Blue Index & Screw
8	012443-40NS	Quarter-Turn Eterna Cartridge w/ Spring Check, RTC
9	001638-45NS	Lever Handle (New Style)
10	000925-45	Lab Handle Screw
11	018506-19NS	Blue Button Index, Press-in
12	000999-45	Brass Lock Washer
13	002954-45	Shank Lock Nut
14	150A	1/4" NPT Tailpiece & Nut



Product Specifications:
 Single Hole Single Temperature Deck Mount Faucet, Quarter-Turn Eterna Cartridge w/ Spring Check, Lever Handle, 6" Swing Nozzle & 1/2" NPSM Male Inlet

Product Compliance:
 ASME A112.18.1 / CSA B125.1
 NSF 61 - Section 9
 NSF 372 (Low Lead Content)
 ANSI A117.1 (ADA)