



T&S BRASS AND BRONZE WORKS, INC.

2 Saddleback Cove / P.O. Box 1088
Travelers Rest, SC 29690

Model No.

B-0305-LN

Item No.

Travelers Rest, SC: 800-476-4103 • Simi Valley, CA: 800-423-0150 • Fax: 864-834-3518 • www.tsbrass.com



ADA Compliant

This Space for Architect/Engineer Approval

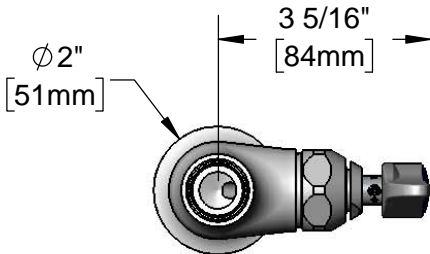
Job Name _____ Date _____

Model Specified _____ Quantity _____

Customer/Wholesaler _____

Contractor _____

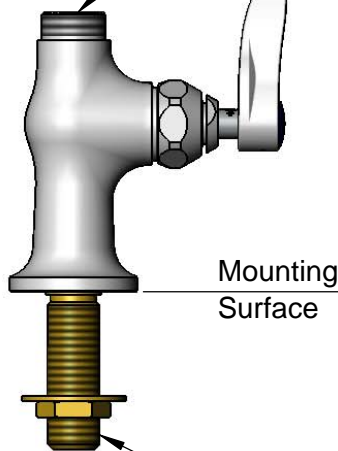
Architect/Engineer _____



EZ-K EasyInstall Kit
Converts Rigid Risers & Nozzles For Use with Swivel Outlet (Included)

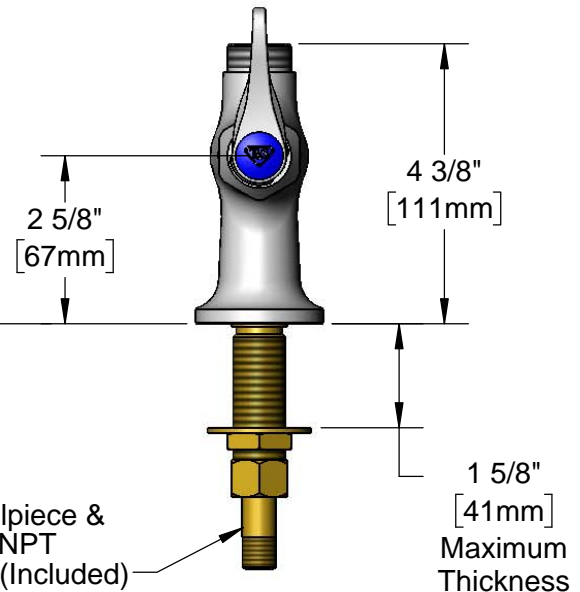
Swivel Outlet Accepts Standard T&S Swing Nozzles and EasyInstall Risers.

Quarter-Turn Eterna Cartridge w/ Spring Check & Lever Handle w/ Color Coded Index



Mounting Surface

1/2" NPSM Male Inlet



150A Optional Tailpiece & Nut for 1/4" NPT Connection (Included)

Rough-In Requirement:
Ø 1" [25mm] Mounting Hole

Product Specifications:

Single Hole, Single Temperature Deck Mount Mixing Faucet, Less Gooseneck, Quarter-Turn Eterna Cartridge w/ Spring Check, Lever Handle & 1/2" NPSM Male Inlet

Product Compliance:

ASME A112.18.1 / CSA B125.1
NSF 61 - Section 9
NSF 372 (Low Lead Content)
ANSI A117.1 (ADA)



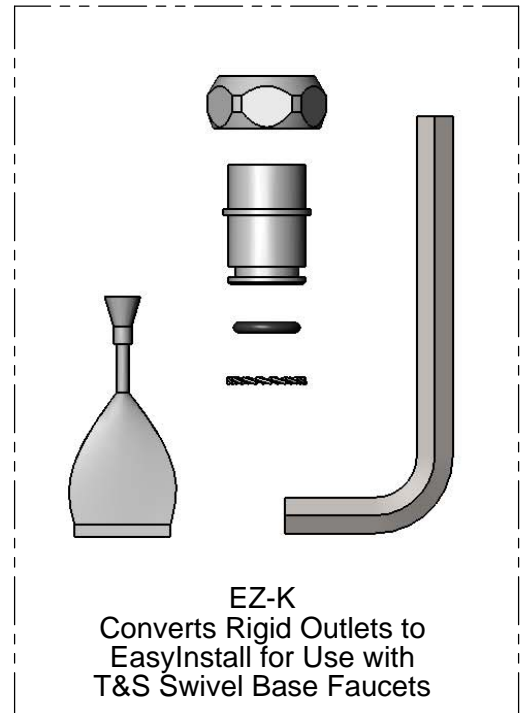
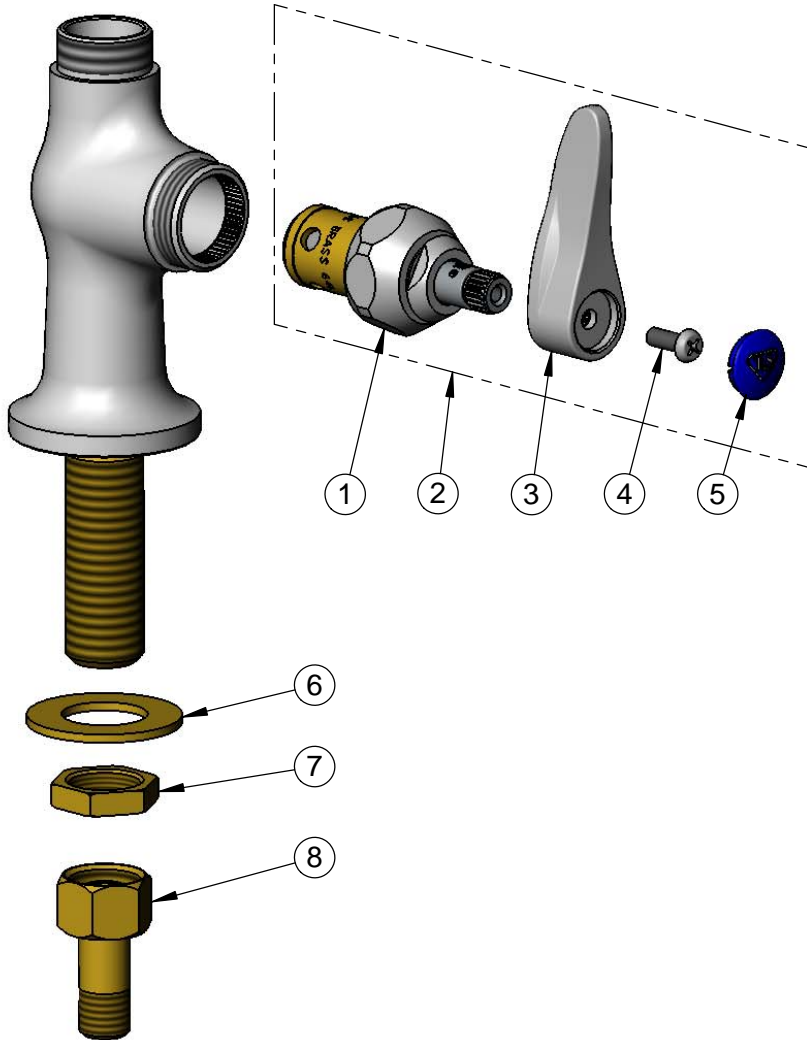
T&S BRASS AND BRONZE WORKS, INC.
 2 Saddleback Cove / P.O. Box 1088
 Travelers Rest, SC 29690

Model No.
B-0305-LN

Item No.

Travelers Rest, SC: 800-476-4103 • Simi Valley, CA: 800-423-0150 • Fax: 864-834-3518 • www.tsbrass.com

ITEM NO.	SALES NO.	DESCRIPTION
1	012443-40NS	Quarter-Turn Eterna Cartridge w/ Spring Check, RTC
2	019639-40	Quarter-Turn Eterna Cartridge RTC w/ Spring Check, Handle, Blue Index & Screw
3	001638-45NS	Lever Handle (New Style)
4	000925-45	Lab Handle Screw
5	018506-19NS	Blue Button Index, Press-in
6	000999-45	Brass Lock Washer
7	002954-45	Shank Lock Nut
8	150A	1/4" NPT Tailpiece & Nut



Product Specifications:
 Single Hole, Single Temperature Deck Mount Mixing Faucet, Less Gooseneck, Quarter-Turn Eterna Cartridge w/ Spring Check, Lever Handle & 1/2" NPSM Male Inlet

Product Compliance:
 ASME A112.18.1 / CSA B125.1
 NSF 61 - Section 9
 NSF 372 (Low Lead Content)
 ANSI A117.1 (ADA)