



**T&S BRASS AND BRONZE WORKS, INC.**  
 2 Saddleback Cove / P.O. Box 1088  
 Travelers Rest, SC 29690

Model No.  
**B-0345-LN**

Item No.

Travelers Rest, SC: 800-476-4103 • Simi Valley, CA: 800-423-0150 • Fax: 864-834-3518 • www.tsbrass.com



**ADA Compliant**

This Space for Architect/Engineer Approval

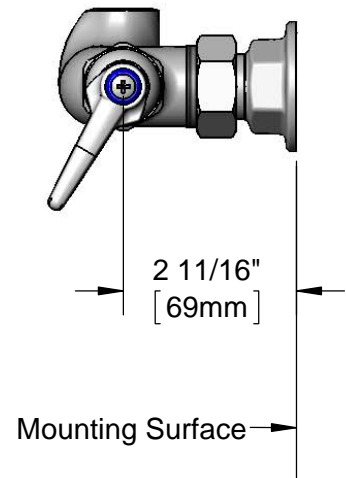
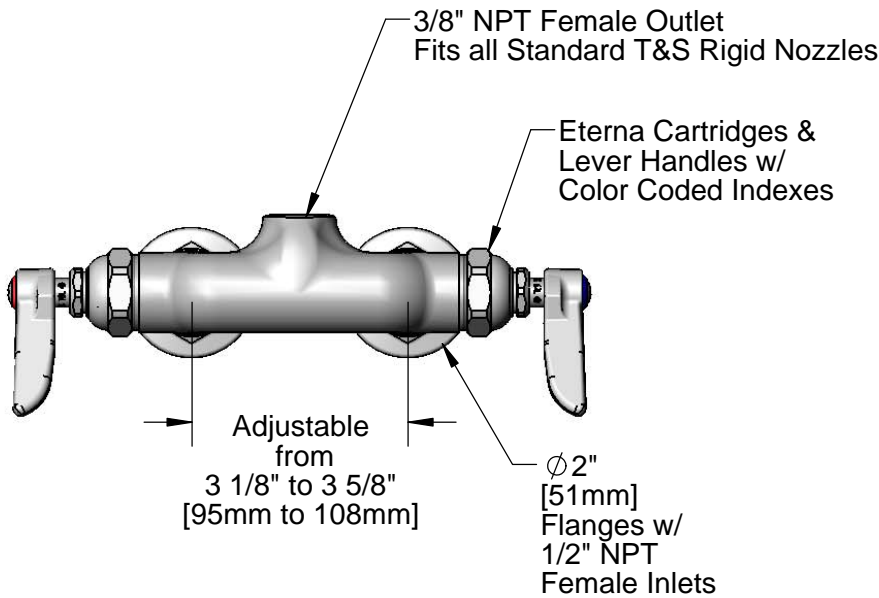
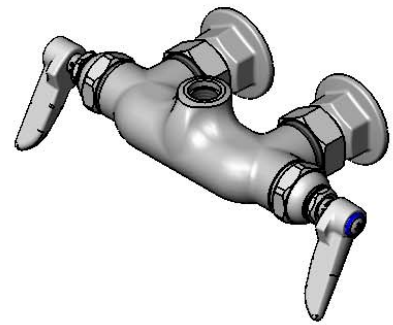
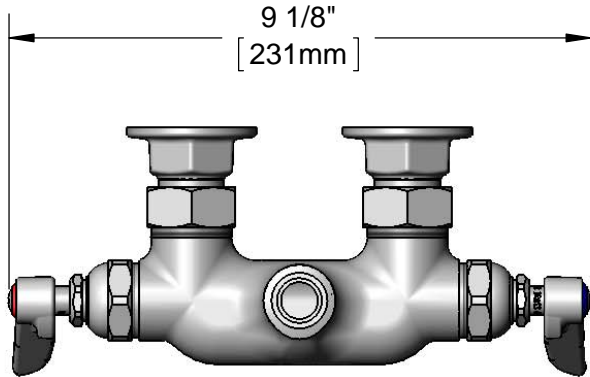
Job Name \_\_\_\_\_ Date \_\_\_\_\_

Model Specified \_\_\_\_\_ Quantity \_\_\_\_\_

Customer/Wholesaler \_\_\_\_\_

Contractor \_\_\_\_\_

Architect/Engineer \_\_\_\_\_



**Product Specifications:**  
 3 3/8" Wall Mount Mixing Faucet, Eterna Cartridges, Lever Handles, Rigid  
 Gooseneck w/ Stream Regulator Outlet & 1/2" NPT Female Inlets

**Product Compliance:**  
 ASME A112.18.1 / CSA B125.1  
 NSF 61 - Section 9  
 NSF 372 (Low Lead Content)  
 ANSI A117.1 (ADA)

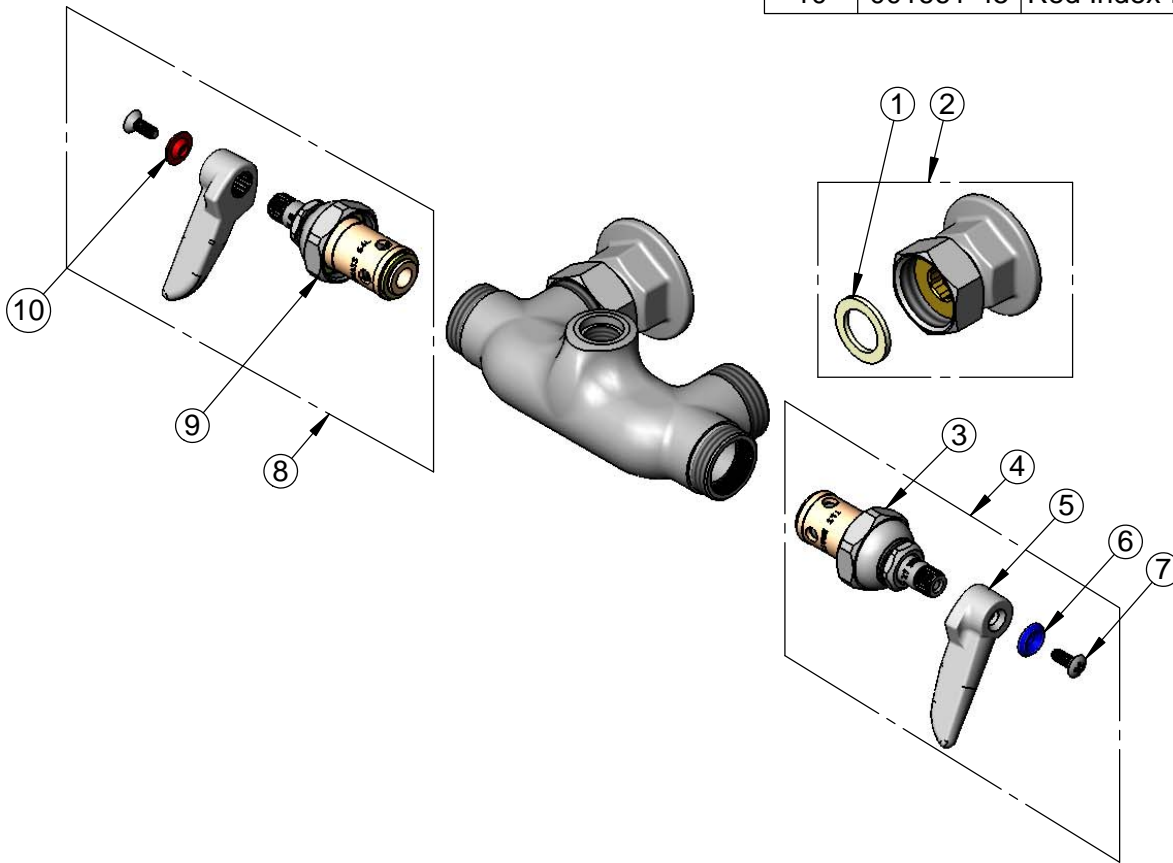


**T&S BRASS AND BRONZE WORKS, INC.**  
 2 Saddleback Cove / P.O. Box 1088  
 Travelers Rest, SC 29690

Model No.  
**B-0345-LN**  
 Item No.

Travelers Rest, SC: 800-476-4103 • Simi Valley, CA: 800-423-0150 • Fax: 864-834-3518 • www.tsbrass.com

ITEM NO.	SALES NO.	DESCRIPTION
1	001019-45	Coupling Nut Washer
2	00AA	1/2" NPT Female Eccentric Flange
3	005959-40	Eterna Cartridge, LTC
4	002713-40	Eterna Cartridge, LTC w/ Handle, Index & Screw
5	001638-45	Lever Handle
6	001660-45	Blue Index-CW
7	000922-45	Lever Handle Screw
8	002714-40	Eterna Cartridge, RTC w/ Handle, Index & Screw
9	005960-40	Eterna Cartridge, RTC
10	001661-45	Red Index-HW



**Product Specifications:**  
 3 3/8" Wall Mount Mixing Faucet, Eterna Cartridges, Lever Handles, Rigid Gooseneck w/ Stream Regulator Outlet & 1/2" NPT Female Inlets

**Product Compliance:**  
 ASME A112.18.1 / CSA B125.1  
 NSF 61 - Section 9  
 NSF 372 (Low Lead Content)  
 ANSI A117.1 (ADA)