



T&S BRASS AND BRONZE WORKS, INC.

2 Saddleback Cove / P.O. Box 1088
Travelers Rest, SC 29690

Model No.

B-0504

Item No.

Travelers Rest, SC: 800-476-4103 • Simi Valley, CA: 800-423-0150 • Fax: 864-834-3518 • www.tsbrass.com

This Space for Architect/Engineer Approval

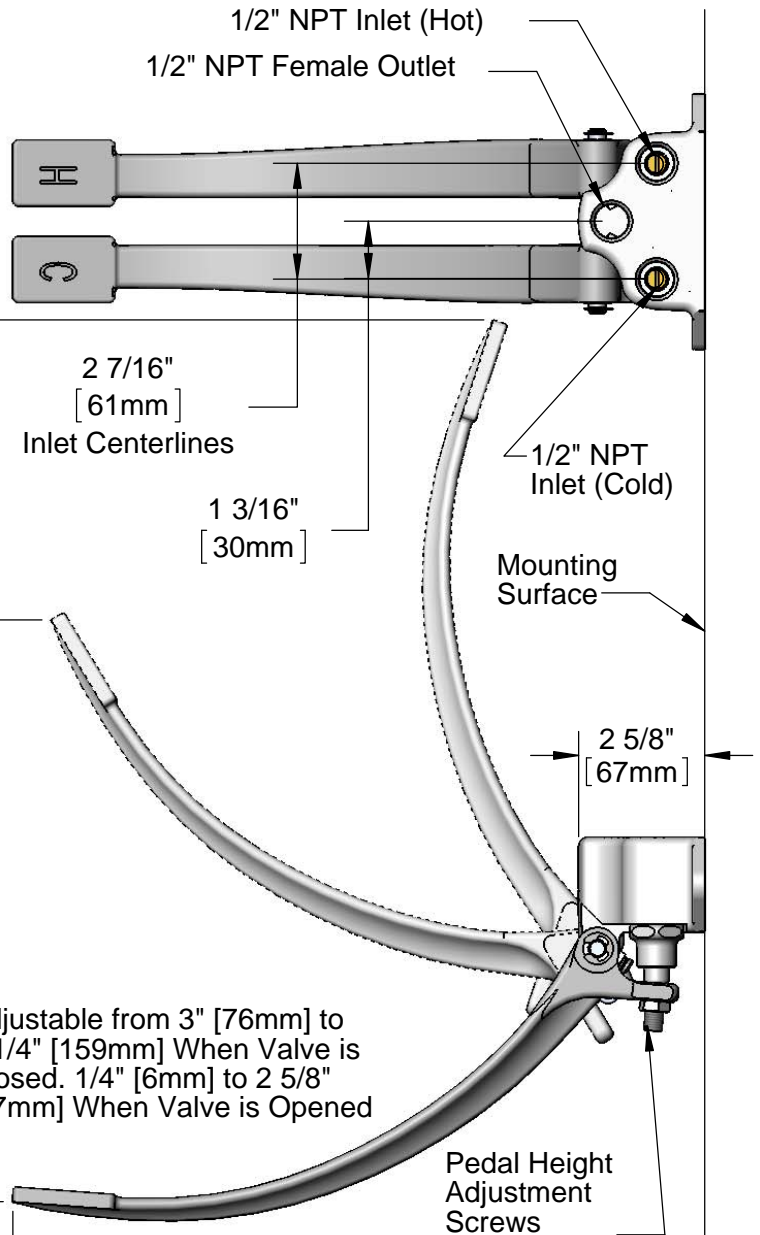
Job Name _____ Date _____

Model Specified _____ Quantity _____

Customer/Wholesaler _____

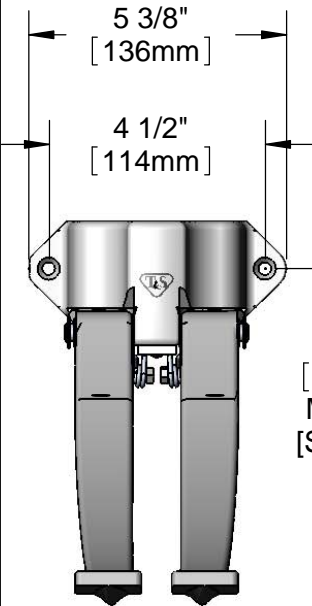
Contractor _____

Architect/Engineer _____



Furnished w/
Mounting Screws

20 1/2" [521mm]
Maximum



Floor

14 1/4" [362mm]

Note:
All Pedal Position Dimensions are Based on a Recommended Minimum Mounting Height of 8 3/4" [222mm] Above Finished Floor

Adjustable from 14 3/4" [375mm] to 15 3/8" [390mm] When Valve is Closed.
13 1/2" [343mm] to 14 3/4" [375mm] When Valve is Opened

Product Specifications:
Double Pedal Valve

Product Compliance:
ASME A112.18.1 / CSA B125.1
NSF 61 - Section 9
NSF 372 (Low Lead Content)



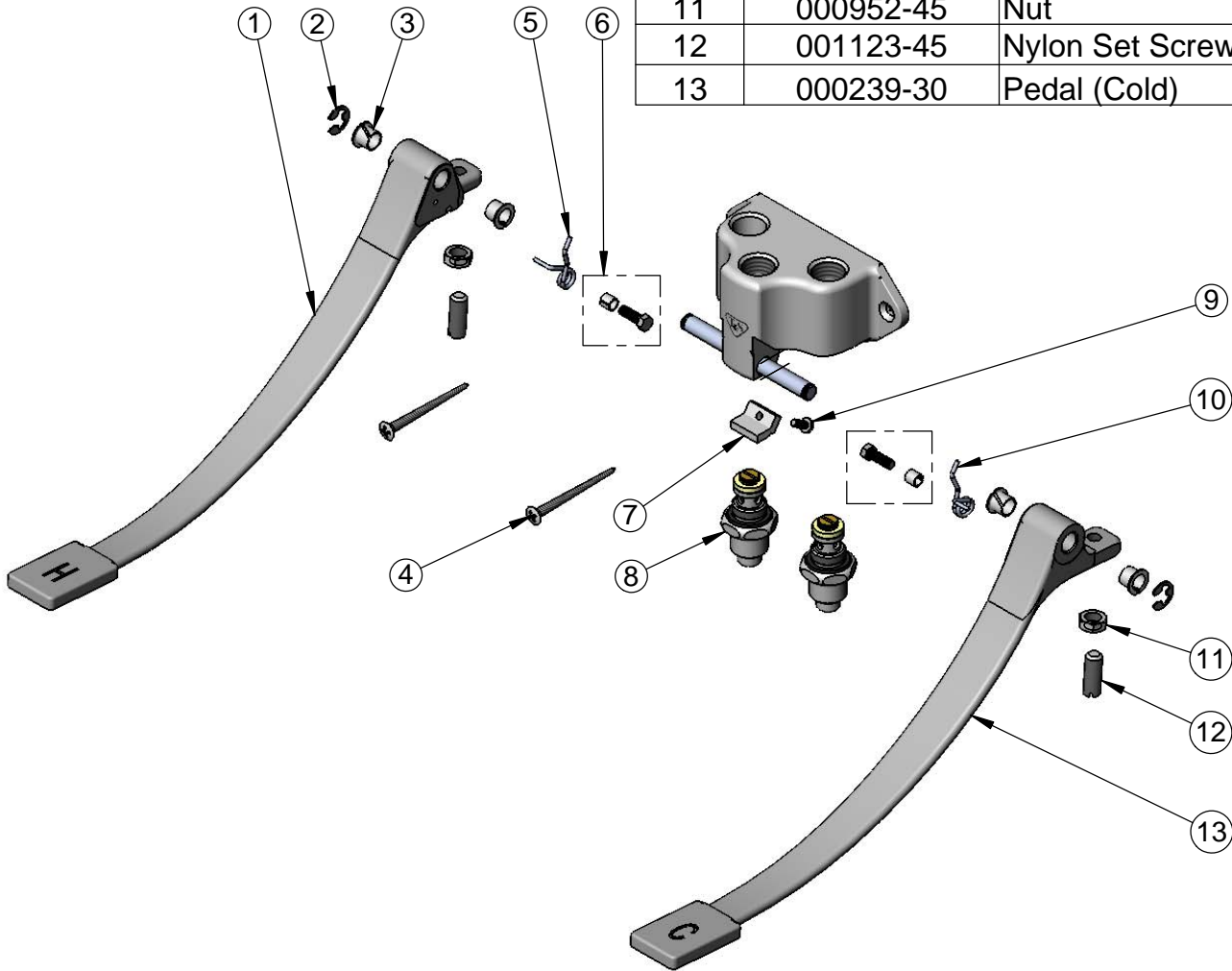
T&S BRASS AND BRONZE WORKS, INC.
 2 Saddleback Cove / P.O. Box 1088
 Travelers Rest, SC 29690

Model No.
B-0504

Item No.

Travelers Rest, SC: 800-476-4103 • Simi Valley, CA: 800-423-0150 • Fax: 864-834-3518 • www.tsbrass.com

ITEM NO.	SALES NO.	DESCRIPTION
1	000240-30	Pedal (Hot)
2	012512-45	E-clip Retaining Ring
3	001602-45	Bushing, Pedal Valve
4	003749-45	Foot Pedal Mtg. Screw
5	000886-45	Spring, LH (Hot Pedal)
6	001483-25	Screw & Spacer, Pedal Spring
7	012513-10	Pad
8	005312-40	Bonnet
9	012523-45	Screw
10	000887-45	Spring, RH (Cold Pedal)
11	000952-45	Nut
12	001123-45	Nylon Set Screw
13	000239-30	Pedal (Cold)



Product Specifications:
Double Pedal Valve

Product Compliance:
 ASME A112.18.1 / CSA B125.1
 NSF 61 - Section 9
 NSF 372 (Low Lead Content)