



T&S BRASS AND BRONZE WORKS, INC.
 2 Saddleback Cove / P.O. Box 1088
 Travelers Rest, SC 29690

Model No.
B-0520-F SERIES

Item No.

Travelers Rest, SC: 800-476-4103 • Simi Valley, CA: 800-423-0150 • Fax: 864-834-3518 • www.tsbrass.com

This Space for Architect/Engineer Approval

Job Name _____ Date _____

Model Specified _____ Quantity _____

Customer/Wholesaler _____

Contractor _____

Architect/Engineer _____



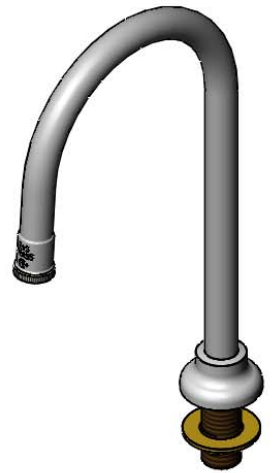
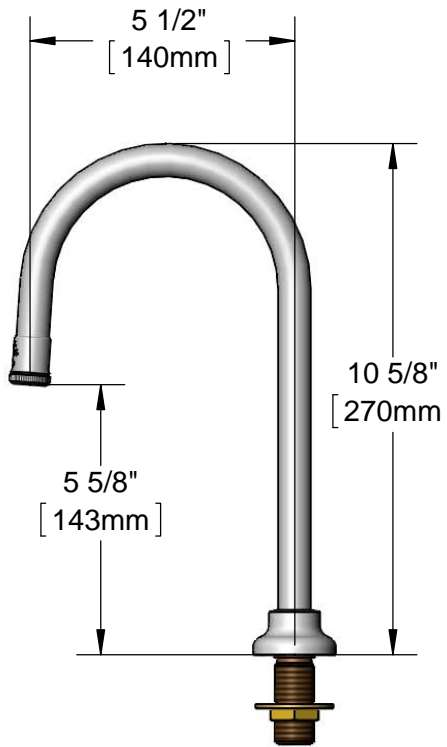
120X
 5 1/2" Rigid
 Gooseneck w/
 Stream Regulator
 Outlet



Flow Control
 Tower in Shank.
 Specify Desired
 Flow From Chart.

1 7/8"
 [47mm]

1"
 [26mm]
 Maximum
 Thickness



150A
 Tailpiece & Nut
 Furnished for
 Optional 1/4" NPT
 Connection

MODEL NO.	FLOW (GPM ±15%)
B-0520-F03	.25
B-0520-F05	0.4
B-0520-F07	0.7
B-0520-F10	0.9
B-0520-F12	1.2
B-0520-F15	1.4
B-0520-F20	2.0

Product Specifications:
 Rigid Deck Mount Dummy Gooseneck w/ Stream Regulator Outlet
 and Flow Control Option

Product Compliance:
 ASME A112.18.1 / CSA B125.1
 NSF 61 - Section 9
 NSF 372 (Low Lead Content)



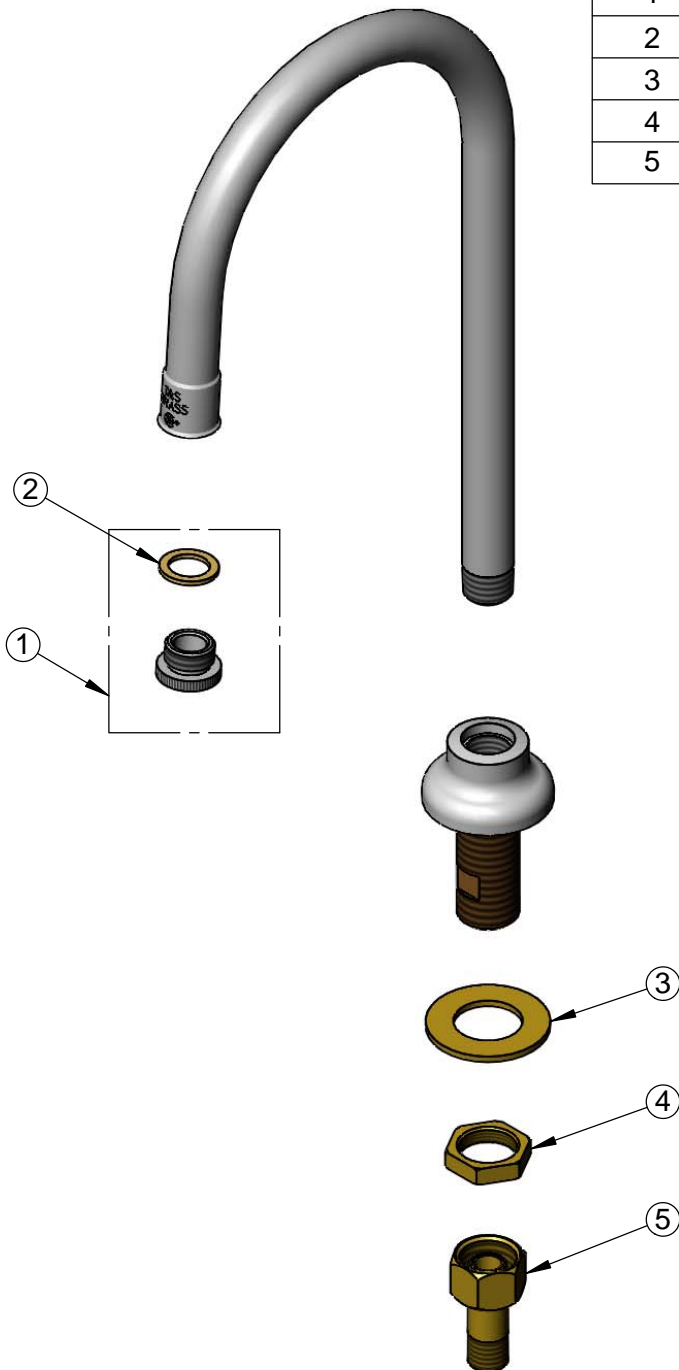
T&S BRASS AND BRONZE WORKS, INC.
 2 Saddleback Cove / P.O. Box 1088
 Travelers Rest, SC 29690

Model No.
B-0520-F SERIES

Item No.

Travelers Rest, SC: 800-476-4103 • Simi Valley, CA: 800-423-0150 • Fax: 864-834-3518 • www.tsbrass.com

ITEM NO.	SALES NO.	DESCRIPTION
1	B-LT	Stream Regulator Outlet
2	001043-45	Washer
3	000999-45	Brass Lock Washer
4	002954-45	Shank Lock Nut
5	150A	Bag of (1) Nut & (1) Tailpiece



Product Specifications:
 Rigid Deck Mount Dummy Gooseneck w/ Stream Regulator Outlet
 and Flow Control Option

Product Compliance:
 ASME A112.18.1 / CSA B125.1
 NSF 61 - Section 9
 NSF 372 (Low Lead Content)