



T&S BRASS AND BRONZE WORKS, INC.

2 Saddleback Cove / P.O. Box 1088
Travelers Rest, SC 29690

Model No.

B-0520-F1 SERIES

Item No.

Travelers Rest, SC: 800-476-4103 • Simi Valley, CA: 800-423-0150 • Fax: 864-834-3518 • www.tsbrass.com

This Space for Architect/Engineer Approval

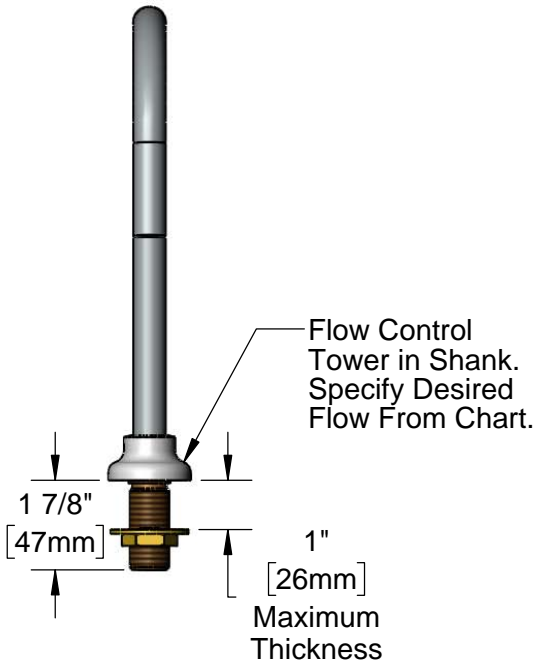
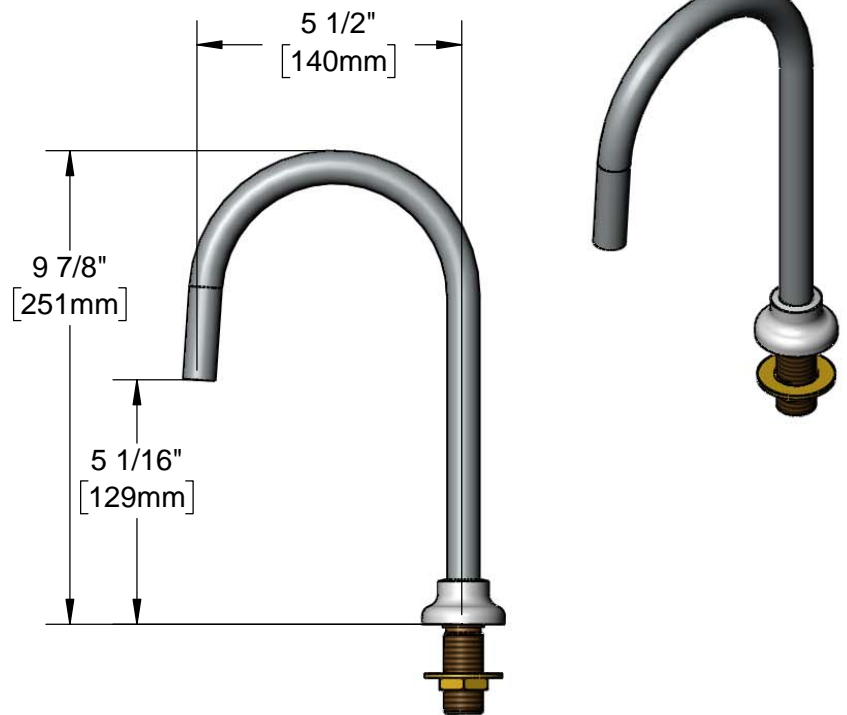
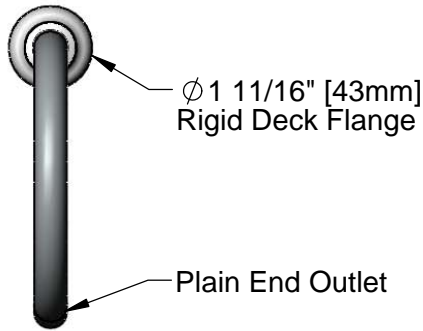
Job Name _____ Date _____

Model Specified _____ Quantity _____

Customer/Wholesaler _____

Contractor _____

Architect/Engineer _____



150A
Tailpiece & Nut
Furnished for
Optional 1/4" NPT
Connection

MODEL NO.	FLOW (GPM ±15%)
B-0520-F1-03	0.25
B-0520-F1-05	0.4
B-0520-F1-07	0.7
B-0520-F1-10	0.9
B-0520-F1-12	1.2
B-0520-F1-15	1.4
B-0520-F1-20	2.0

Product Specifications:
Rigid Deck Mount Dummy Gooseneck w/ Plain End Outlet and Flow Control Option

Product Compliance:
ASME A112.18.1 / CSA B125.1
NSF 61 - Section 9
NSF 372 (Low Lead Content)



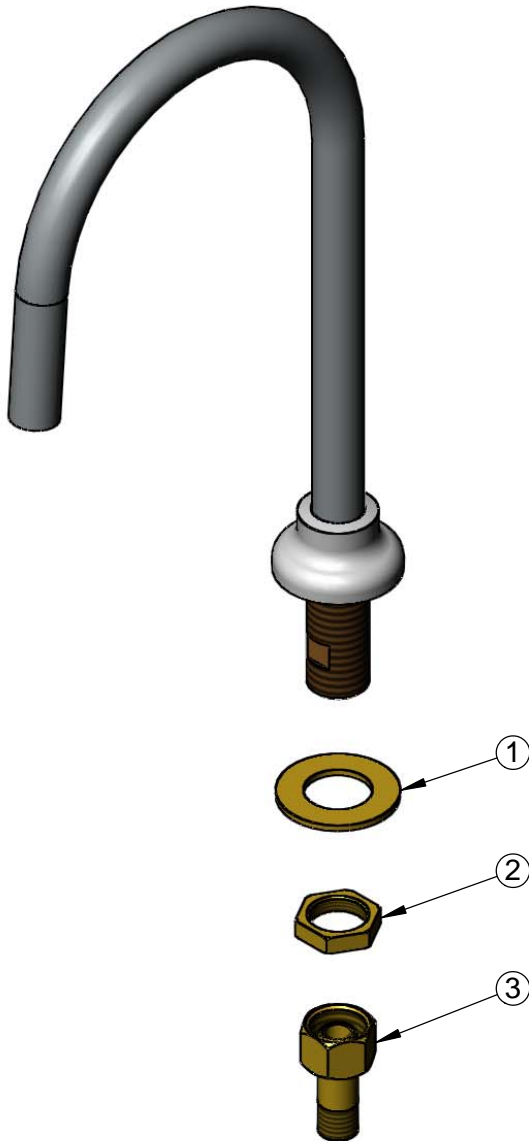
T&S BRASS AND BRONZE WORKS, INC.
2 Saddleback Cove / P.O. Box 1088
Travelers Rest, SC 29690

Model No.
B-0520-F1 SERIES

Item No.

Travelers Rest, SC: 800-476-4103 • Simi Valley, CA: 800-423-0150 • Fax: 864-834-3518 • www.tsbrass.com

ITEM NO.	SALES NO.	DESCRIPTION
1	000999-45	Brass Lock Washer
2	002954-45	Shank Lock Nut
3	150A	Bag of (1) Nut & (1) Tailpiece



Product Specifications:
Rigid Deck Mount Dummy Gooseneck w/ Plain End Outlet and Flow Control Option

Product Compliance:
ASME A112.18.1 / CSA B125.1
NSF 61 - Section 9
NSF 372 (Low Lead Content)