



T&S BRASS AND BRONZE WORKS, INC.
 2 Saddleback Cove / P.O. Box 1088
 Travelers Rest, SC 29690

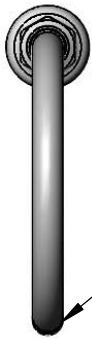
Model No.
B-0545-F SERIES

Item No.

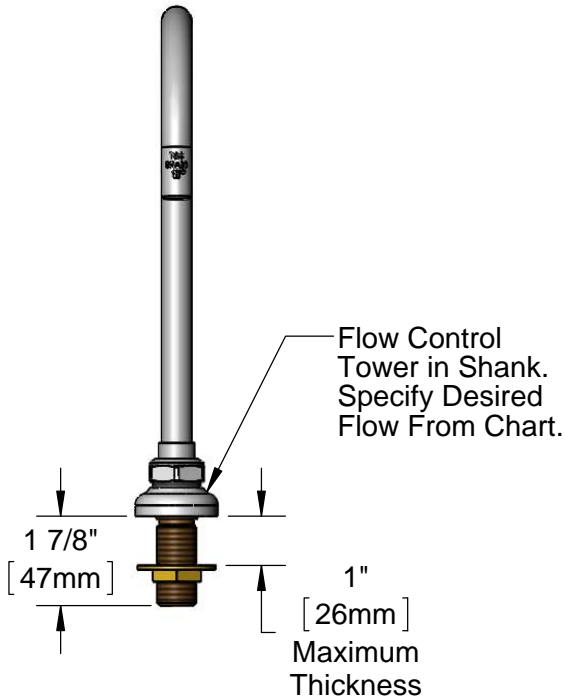
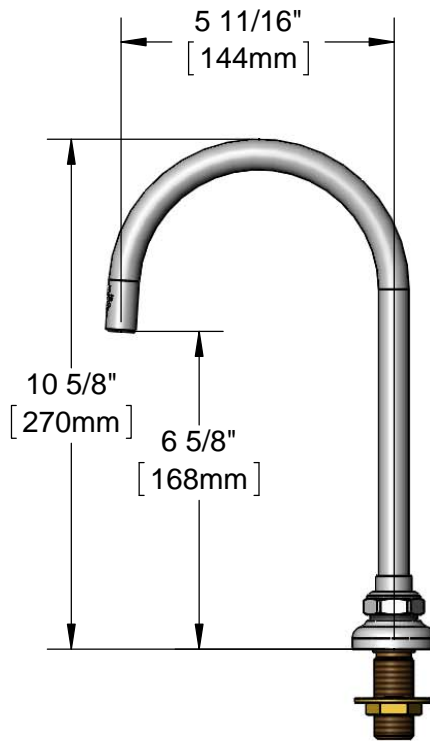
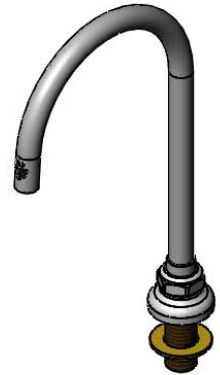
Travelers Rest, SC: 800-476-4103 • Simi Valley, CA: 800-423-0150 • Fax: 864-834-3518 • www.tsbrass.com

This Space for Architect/Engineer Approval

Job Name _____ Date _____
 Model Specified _____ Quantity _____
 Customer/Wholesaler _____
 Contractor _____
 Architect/Engineer _____



Plain End Spout,
 Laminar Flow, No
 Threaded Outlet



MODEL NO.	FLOW (GPM ±15%)
B-0545-F03	.25
B-0545-F05	0.4
B-0545-F07	0.7
B-0545-F10	0.9
B-0545-F12	1.2
B-0545-F15	1.4
B-0545-F20	2.0

Product Specifications:
 Swivel Deck Mount Dummy 6" Gooseneck w/ Plain End Outlet
 and Flow Control Option

Product Compliance:
 ASME A112.18.1 / CSA B125.1
 NSF 61 - Section 9
 NSF 372 (Low Lead Content)

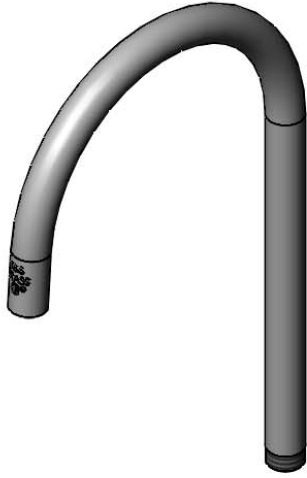


T&S BRASS AND BRONZE WORKS, INC.
2 Saddleback Cove / P.O. Box 1088
Travelers Rest, SC 29690

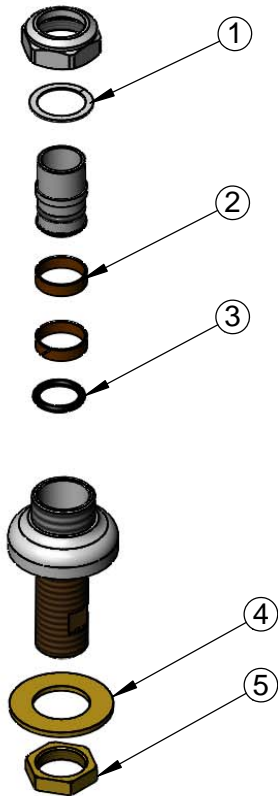
Model No.
B-0545-F SERIES

Item No.

Travelers Rest, SC: 800-476-4103 • Simi Valley, CA: 800-423-0150 • Fax: 864-834-3518 • www.tsbrass.com



ITEM NO.	SALES NO.	DESCRIPTION
1	009538-45	Swivel Washer
2	011429-45	Swivel Sleeves (2)
3	001074-45	O-Ring
4	000999-45	Brass Lock Washer
5	002954-45	Shank Lock Nut



Product Specifications:
Swivel Deck Mount Dummy 6" Gooseneck w/ Plain End Outlet
and Flow Control Option

Product Compliance:
ASME A112.18.1 / CSA B125.1
NSF 61 - Section 9
NSF 372 (Low Lead Content)