



T&S BRASS AND BRONZE WORKS, INC.

2 Saddleback Cove / P.O. Box 1088
Travelers Rest, SC 29690

Model No.

B-0545-F15-LW

Item No.

Travelers Rest, SC: 800-476-4103 • Simi Valley, CA: 800-423-0150 • Fax: 864-834-3518 • www.tsbrass.com

This Space for Architect/Engineer Approval

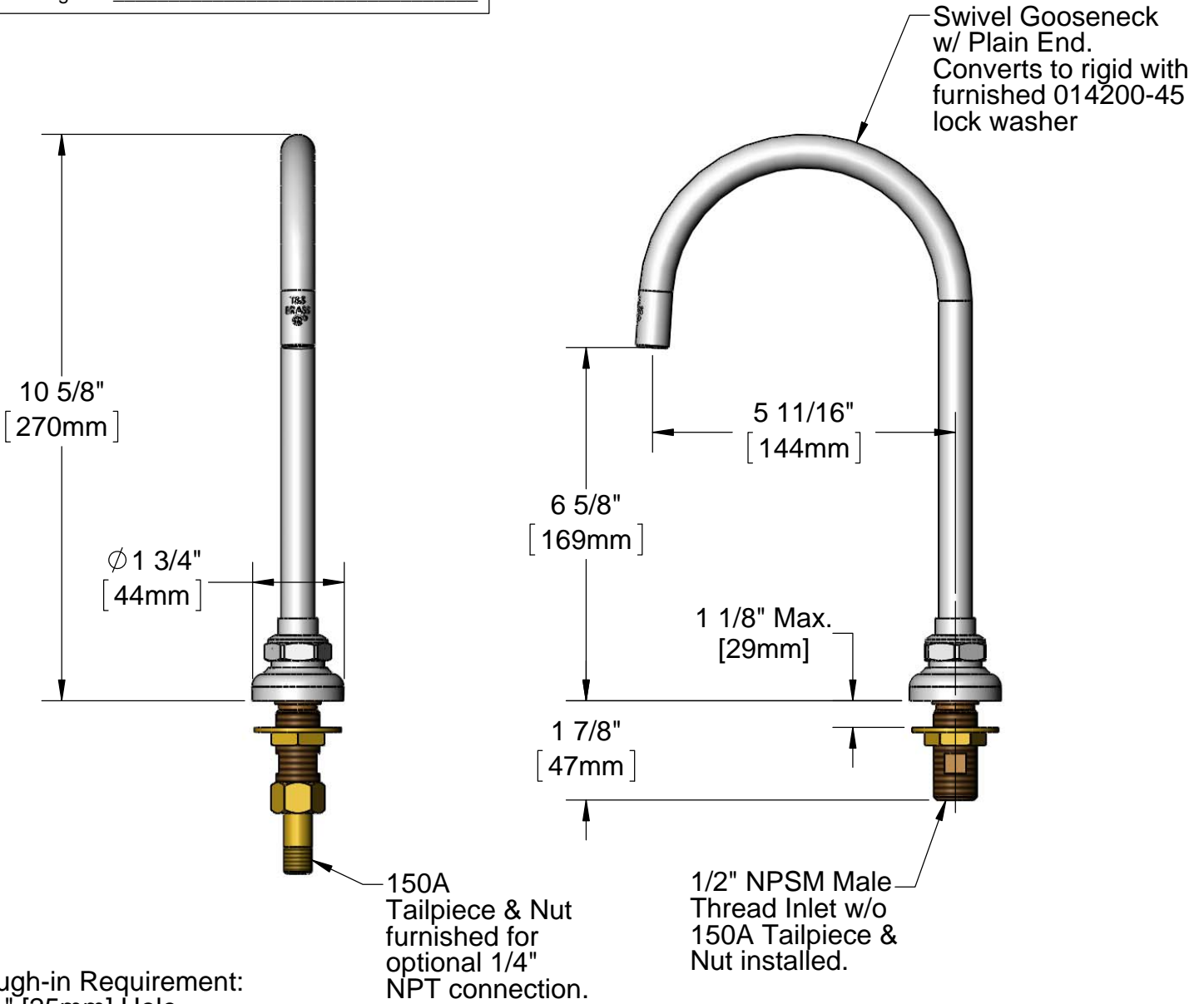
Job Name _____ Date _____

Model Specified _____ Quantity _____

Customer/Wholesaler _____

Contractor _____

Architect/Engineer _____



Rough-in Requirement:
Ø 1" [25mm] Hole

Product Specifications:
Deck Mount Dummy Swivel Gooseneck w/ Plain End Outlet,
1.5 GPM Flow Control and Lock Washer for Rigid Option

Drawn DMH	Checked KJG	Approved JHB
Scale: 1:3		Date: 02/24/12



T&S BRASS AND BRONZE WORKS, INC.

2 Saddleback Cove / P.O. Box 1088
Travelers Rest, SC 29690

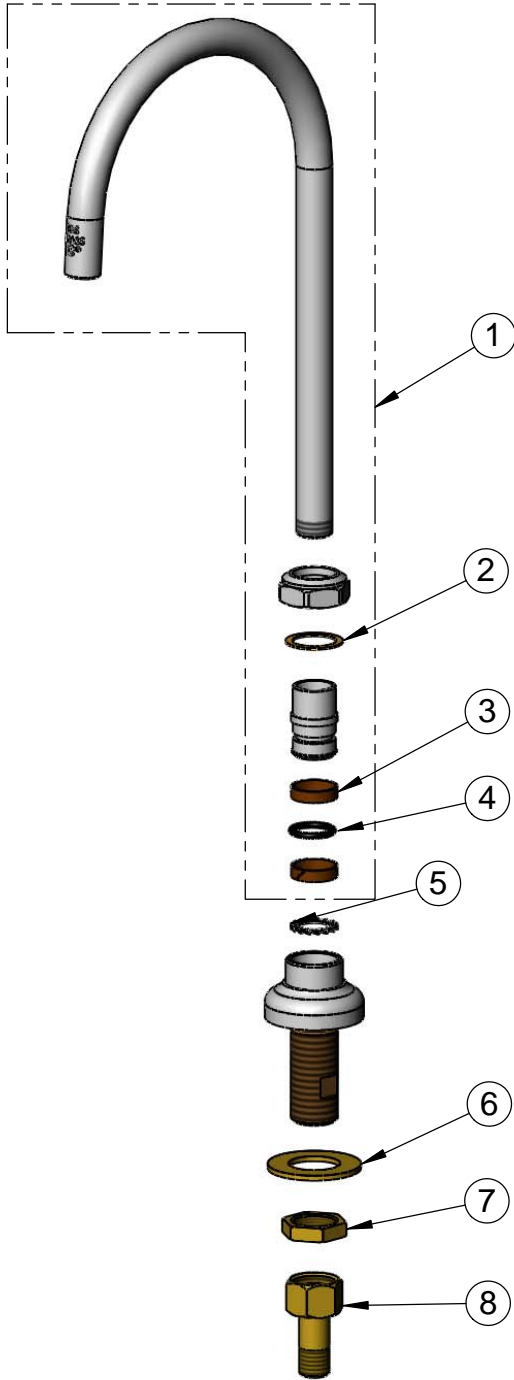
Model No.

B-0545-F15-LW

Item No.

Travelers Rest, SC: 800-476-4103 • Simi Valley, CA: 800-423-0150 • Fax: 864-834-3518 • www.tsbrass.com

ITEM NO.	SALES NO.	DESCRIPTION
1	133XP	Swivel Gooseneck, Plain End
2	009538-45	Swivel Washer
3	011429-45	Swivel Sleeves (2)
4	001074-45	O-Ring
5	014200-45	Star Washer, Anti-Rotation
6	000999-45	Brass Lock Washer
7	002954-45	Shank Lock Nut
8	150A	1/4" NPT Tailpiece & Nut



Product Specifications:
Deck Mount Dummy Swivel Gooseneck w/ Plain End Outlet,
1.5 GPM Flow Control and Lock Washer for Rigid Option

Drawn DMH	Checked KJG	Approved JHB
Scale: NTS		Date: 02/24/12