



T&S BRASS AND BRONZE WORKS, INC.

2 Saddleback Cove / P.O. Box 1088
Travelers Rest, SC 29690

Model No.

B-0665-CR-BSTRK

Item No.

Travelers Rest, SC: 800-476-4103 • Simi Valley, CA: 800-423-0150 • Fax: 864-834-3518 • www.tsbrass.com



ADA Compliant

This Space for Architect/Engineer Approval

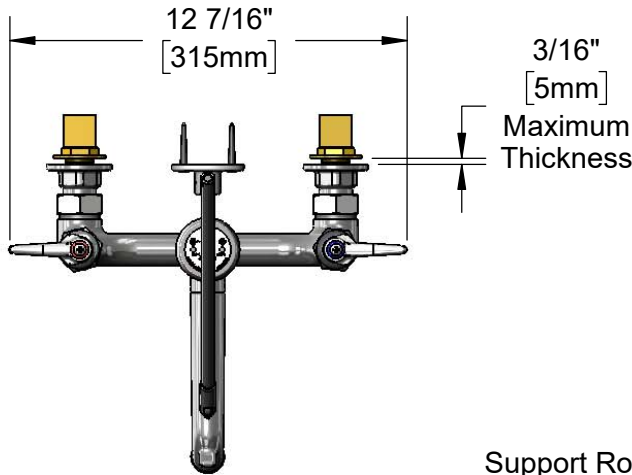
Job Name _____ Date _____

Model Specified _____ Quantity _____

Customer/Wholesaler _____

Contractor _____

Architect/Engineer _____



Support Rod w/ Wall Bracket & Mounting Screws

Mounting Surface

Items Not Shown For Clarity

B-0969 1/2" NPT Vacuum Breaker

Cerama Cartridges w/ Check Valves & Lever Handles w/ Color Coded Indexes

Garden Hose Male Outlet

Ø 2" [51mm] Flanges w/ 1/2" NPT Female Inlets

Built-In Service Stop

3 7/8" [98mm]

8" [203mm] Adjustable From 7 3/4" to 8 1/4" [197mm to 210mm]

14 5/16" [364mm]

2 11/16" [68mm]

9 1/8" [232mm]

B-0230-K Short Elbow Installation Kit w/ 1/2" NPT Male Inlets

Rough-In Requirement:
(2) Ø 1" [25mm] Mounting Holes

Product Specifications:

8" Wall Mount Service Sink Faucet, Cerama Cartridges w/ Check Valves, Lever Handles, Upper Support Rod, Garden Hose Male Outlet, Rough Chrome Finish, Built-In Stops, 1/2" NPT Vacuum Breaker & Short Elbow Installation Kit w/ 1/2" NPT Male Inlets

Product Compliance:

ASME A112.18.1 / CSA B125.1
NSF 61 - Section 9
NSF 372 (Low Lead Content)
ANSI A117.1 (ADA)
ASSE 1001 (VB)



T&S BRASS AND BRONZE WORKS, INC.

2 Saddleback Cove / P.O. Box 1088
Travelers Rest, SC 29690

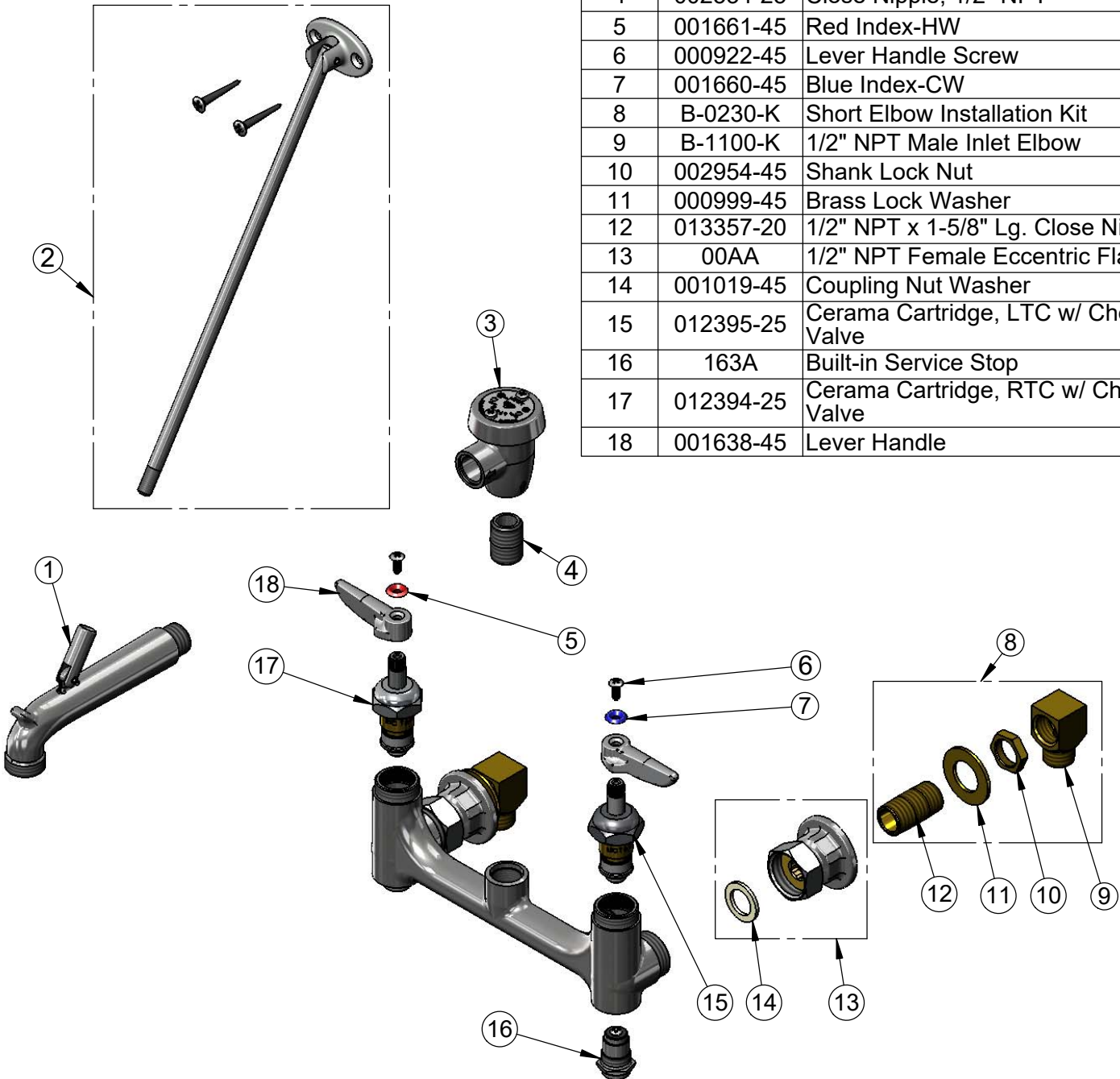
Model No.

B-0665-CR-BSTRK

Item No.

Travelers Rest, SC: 800-476-4103 • Simi Valley, CA: 800-423-0150 • Fax: 864-834-3518 • www.tsbrass.com

ITEM NO.	SALES NO.	DESCRIPTION
1	009545-25	Spout w/ Male GH Outlet & Upper Clevis - Rough Chrome
2	009546-40	Upper Support Rod
3	B-0969	1/2" NPT Vacuum Breaker
4	002534-25	Close Nipple, 1/2" NPT
5	001661-45	Red Index-HW
6	000922-45	Lever Handle Screw
7	001660-45	Blue Index-CW
8	B-0230-K	Short Elbow Installation Kit
9	B-1100-K	1/2" NPT Male Inlet Elbow
10	002954-45	Shank Lock Nut
11	000999-45	Brass Lock Washer
12	013357-20	1/2" NPT x 1-5/8" Lg. Close Nipple
13	00AA	1/2" NPT Female Eccentric Flange
14	001019-45	Coupling Nut Washer
15	012395-25	Cerama Cartridge, LTC w/ Check Valve
16	163A	Built-in Service Stop
17	012394-25	Cerama Cartridge, RTC w/ Check Valve
18	001638-45	Lever Handle



Product Specifications:

8" Wall Mount Service Sink Faucet, Cerama Cartridges w/ Check Valves, Lever Handles, Upper Support Rod, Garden Hose Male Outlet, Rough Chrome Finish, Built-In Stops, 1/2" NPT Vacuum Breaker & Short Elbow Installation Kit w/ 1/2" NPT Male Inlets

Product Compliance:

ASME A112.18.1 / CSA B125.1
NSF 61 - Section 9
NSF 372 (Low Lead Content)
ANSI A117.1 (ADA)
ASSE 1001 (VB)