



# T&S BRASS AND BRONZE WORKS, INC.

2 Saddleback Cove / P.O. Box 1088  
Travelers Rest, SC 29690

Model No.

**B-0665-CR-POL**

Item No.

Travelers Rest, SC: 800-476-4103 • Simi Valley, CA: 800-423-0150 • Fax: 864-834-3518 • www.tsbrass.com



**ADA Compliant**

This Space for Architect/Engineer Approval

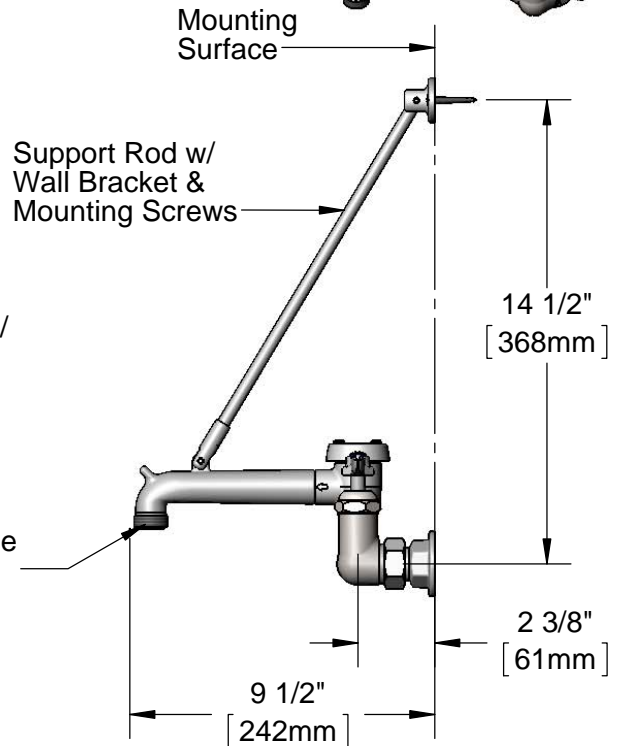
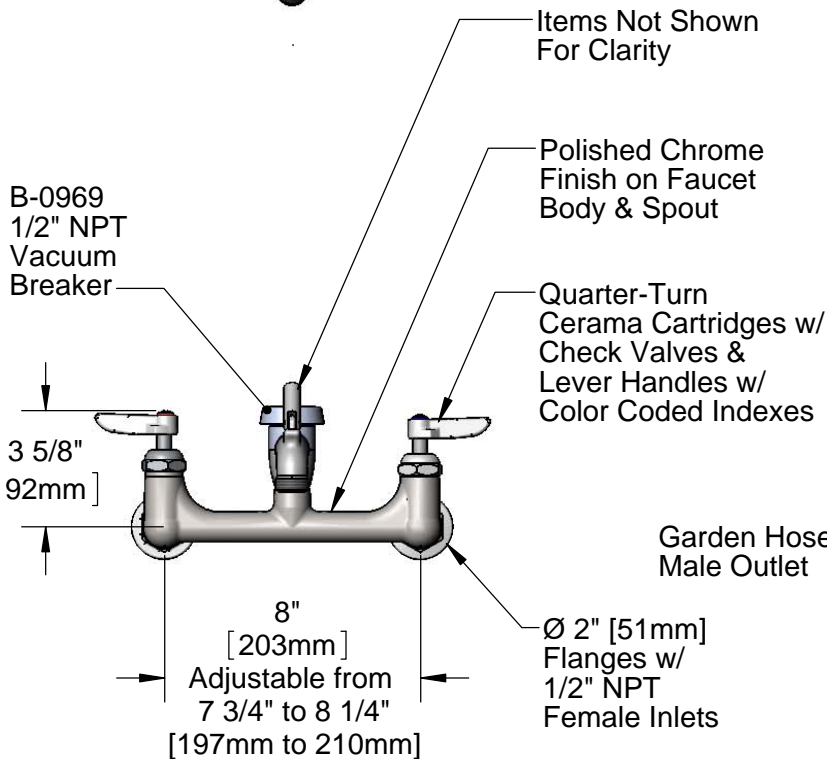
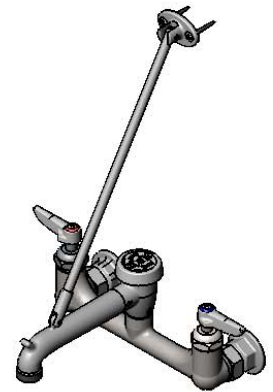
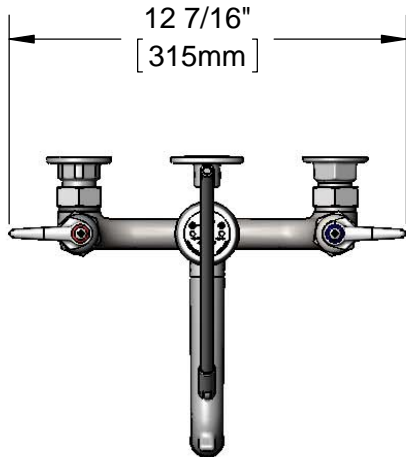
Job Name \_\_\_\_\_ Date \_\_\_\_\_

Model Specified \_\_\_\_\_ Quantity \_\_\_\_\_

Customer/Wholesaler \_\_\_\_\_

Contractor \_\_\_\_\_

Architect/Engineer \_\_\_\_\_



**Product Specifications:**

8" Wall Mount Service Sink, Quarter-Turn Cerama Cartridges w/ Check Valves, Lever Handles, Upper Support Rod, Garden Hose Male Outlet, Polished Chrome Finish, 1/2" NPT Vacuum Breaker & 1/2" NPT Female Inlets

**Product Compliance:**

ASME A112.18.1 / CSA B125.1  
NSF 61 - Section 9  
NSF 372 (Low Lead Content)  
ANSI A117.1 (ADA)  
ASSE 1001 (VB)



# T&S BRASS AND BRONZE WORKS, INC.

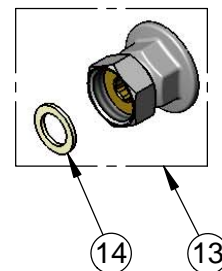
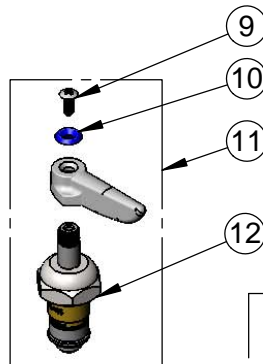
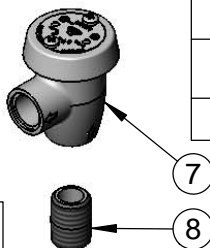
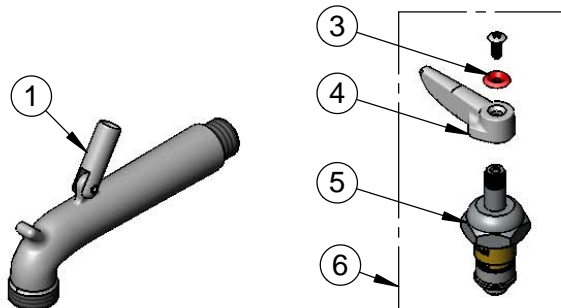
2 Saddleback Cove / P.O. Box 1088  
Travelers Rest, SC 29690

Model No.

**B-0665-CR-POL**

Item No.

Travelers Rest, SC: 800-476-4103 • Simi Valley, CA: 800-423-0150 • Fax: 864-834-3518 • www.tsbrass.com



ITEM NO.	SALES NO.	DESCRIPTION
1	009545-40	Spout Asm Polish Chrome w/ Top Support Clevis
2	009546-40	Suprt Rod B-0665 - Polish Chrome
3	001661-45	Red Index-HW
4	001638-45	Lever Handle
5	012394-25	Quarter-Turn Cerama Cartridge, RTC w/ Check Valve
6	012446-25	Quarter-Turn Cerama Cartridge, RTC w/ Check Valve & Lever Handle, Index and Screw
7	B-0969	1/2" NPT Vacuum Breaker
8	002534-25	Close Nipple, 1/2" NPT
9	000922-45	Lever Handle Screw
10	001660-45	Blue Index-CW
11	012447-25	Quarter-Turn Cerama Cartridge, LTC w/ Check Valve & Lever Handle, Index and Screw
12	012395-25	Quarter-Turn Cerama Cartridge, LTC w/ Check Valve
13	00AA	1/2" NPT Eccentric Female Flange
14	001019-45	Coupling Nut Washer

**Product Specifications:**

8" Wall Mount Service Sink, Quarter-Turn Cerama Cartridges w/ Check Valves, Lever Handles, Upper Support Rod, Garden Hose Male Outlet, Polished Chrome Finish, 1/2" NPT Vacuum Breaker & 1/2" NPT Female Inlets

**Product Compliance:**

ASME A112.18.1 / CSA B125.1  
NSF 61 - Section 9  
NSF 372 (Low Lead Content)  
ANSI A117.1 (ADA)  
ASSE 1001 (VB)