



**T&S BRASS AND BRONZE WORKS, INC.**

2 Saddleback Cove / P.O. Box 1088  
Travelers Rest, SC 29690

Model No.

**B-0711**

Item No.

Travelers Rest, SC: 800-476-4103 • Simi Valley, CA: 800-423-0150 • Fax: 864-834-3518 • www.tsbrass.com

This Space for Architect/Engineer Approval

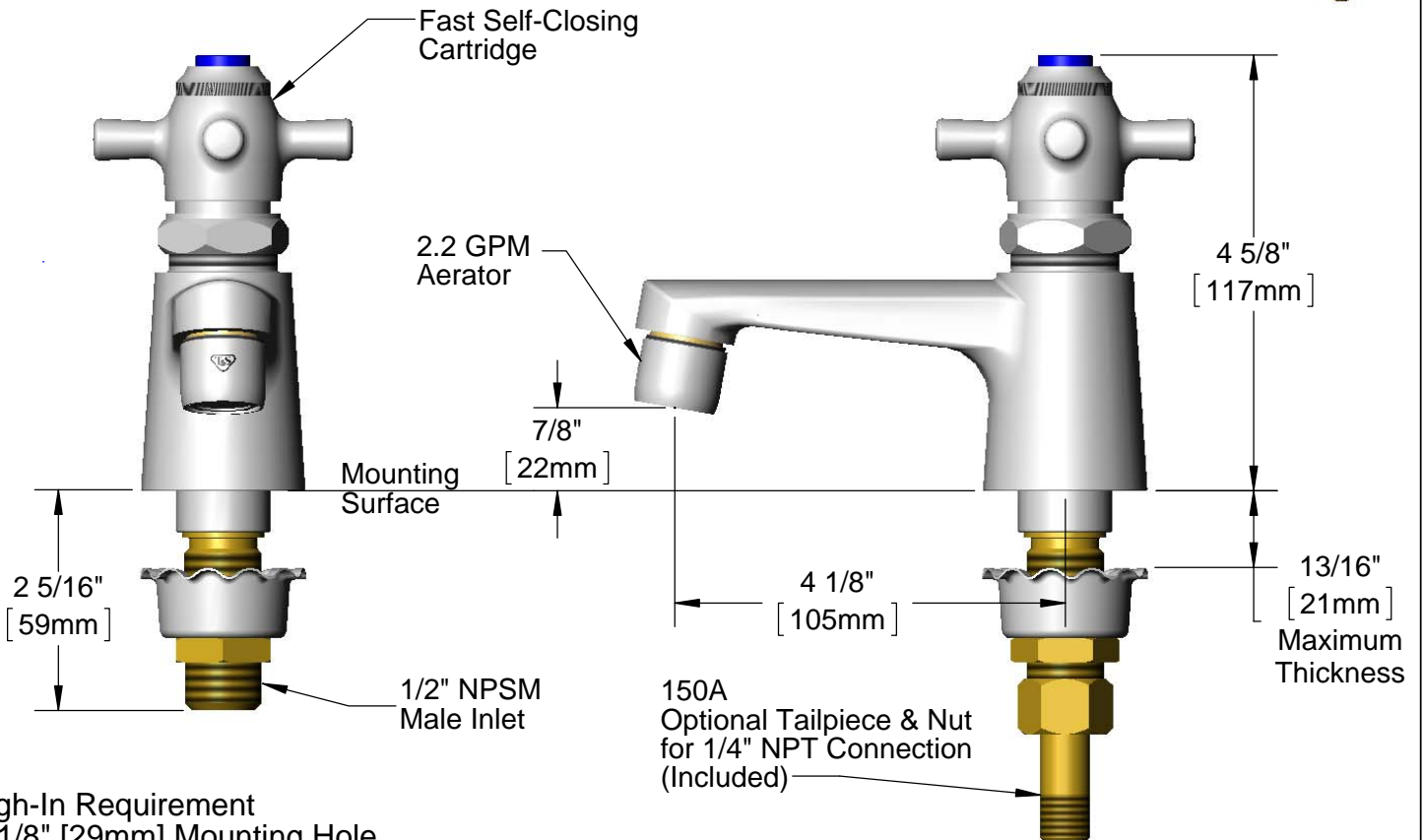
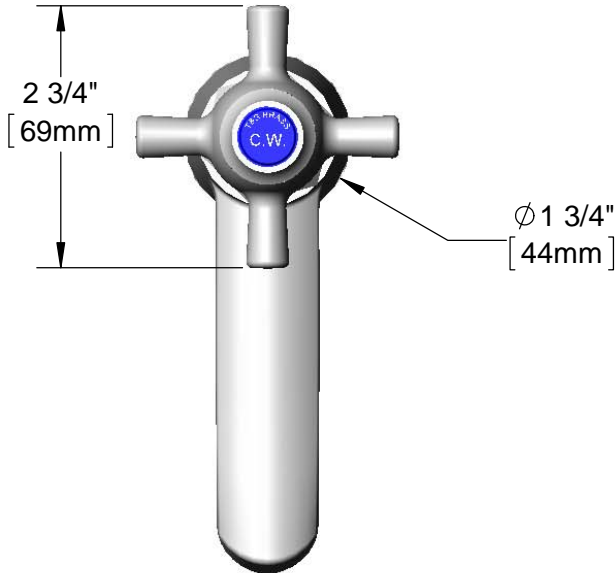
Job Name \_\_\_\_\_ Date \_\_\_\_\_

Model Specified \_\_\_\_\_ Quantity \_\_\_\_\_

Customer/Wholesaler \_\_\_\_\_

Contractor \_\_\_\_\_

Architect/Engineer \_\_\_\_\_



**Rough-In Requirement**  
Ø 1 1/8" [29mm] Mounting Hole

**Product Specifications:**

Single Hole Single Temperature Basin Faucet, Fast Self-Closing Cartridge, 2.2 GPM Aerator & 1/2" NPSM Male Inlet

**Product Compliance:**

ASME A112.18.1 / CSA B125.1  
NSF 61 - Section 9  
NSF 372 (Low Lead Content)



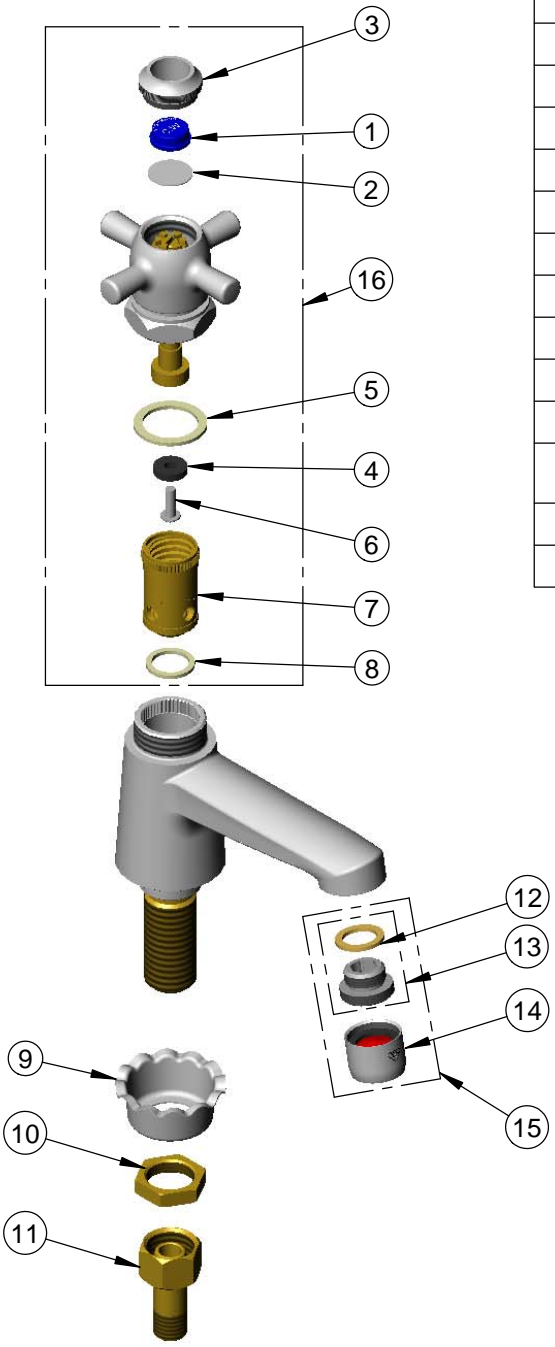
**T&S BRASS AND BRONZE WORKS, INC.**  
 2 Saddleback Cove / P.O. Box 1088  
 Travelers Rest, SC 29690

Model No.  
**B-0711**

Item No.

Travelers Rest, SC: 800-476-4103 • Simi Valley, CA: 800-423-0150 • Fax: 864-834-3518 • www.tsbrass.com

| ITEM NO. | SALES NO. | DESCRIPTION                          |
|----------|-----------|--------------------------------------|
| 1        | 001686-45 | Blue CW Index                        |
| 2        | 001013-45 | Slow Close Handle Disc               |
| 3        | 000674-40 | Slow Close Index Ring                |
| 4        | 001092-45 | Seat Washer                          |
| 5        | 002601-45 | Washer                               |
| 6        | 000933-45 | B-1100 Seat Washer Screw             |
| 7        | 000789-20 | Removable Insert, LH Thread          |
| 8        | 001022-45 | Washer                               |
| 9        | 001000-45 | Rosette Washer                       |
| 10       | 002954-45 | Shank Lock Nut                       |
| 11       | 150A      | 1/4" NPT Tailpiece & Nut             |
| 12       | 001043-45 | Washer                               |
| 13       | 044A      | 3/8" to Aerator Adapter w/ Washer    |
| 14       | B-0199-01 | 2.2 GPM Aerator, 55/64"-27 UN Female |
| 15       | B-0199-02 | 2.2 GPM Aerator, 3/8" NPSM Male      |
| 16       | 007900-40 | Fast Self-Closing Cold Cartridge     |



Product Specifications:  
 Single Hole Single Temperature Basin Faucet, Fast Self-Closing Cartridge, 2.2 GPM Aerator & 1/2" NPSM Male Inlet

Product Compliance:  
 ASME A112.18.1 / CSA B125.1  
 NSF 61 - Section 9  
 NSF 372 (Low Lead Content)