



# T&S BRASS AND BRONZE WORKS, INC.

2 Saddleback Cove / P.O. Box 1088  
Travelers Rest, SC 29690

Model No.

**B-0805**

Item No.

Travelers Rest, SC: 800-476-4103 • Simi Valley, CA: 800-423-0150 • Fax: 864-834-3518 • www.tsbrass.com



**ADA Compliant**

This Space for Architect/Engineer Approval

Job Name \_\_\_\_\_ Date \_\_\_\_\_

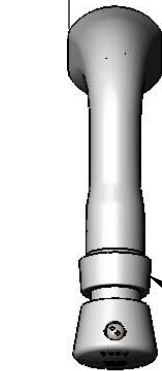
Model Specified \_\_\_\_\_ Quantity \_\_\_\_\_

Customer/Wholesaler \_\_\_\_\_

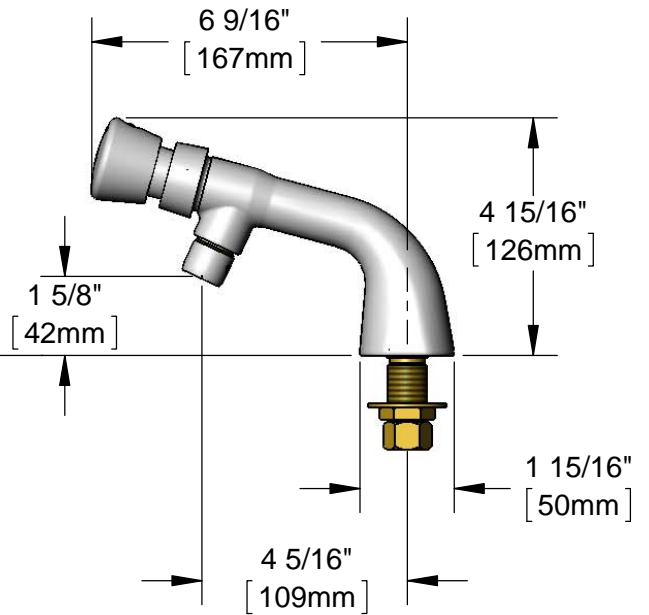
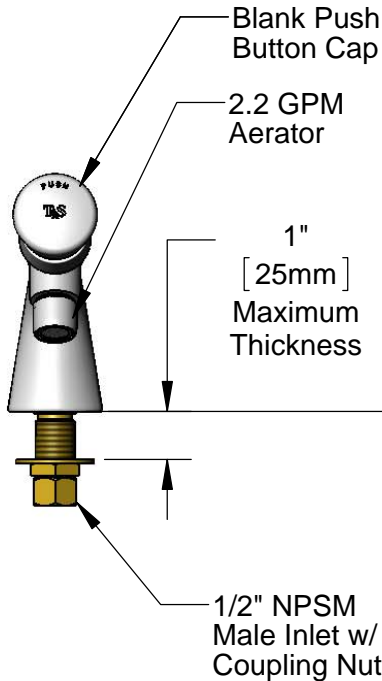
Contractor \_\_\_\_\_

Architect/Engineer \_\_\_\_\_

1 15/16"  
[50mm]



Metering Cartridge  
(Requires 3/32" Hex  
Key for Adjustment)



**Rough-In Requirement:**  
Ø 1" [25mm] Mounting Hole

**Product Specifications:**

Single Hole, Single Temperature Deck Mount Faucet, Push Button Metering Cartridge, 2.2 GPM Aerator & 1/2" NPSM Male Inlet

**Product Compliance:**

ASME A112.18.1 / CSA B125.1  
NSF 61 - Section 9  
NSF 372 (Low Lead Content)  
ANSI A117.1 (ADA)



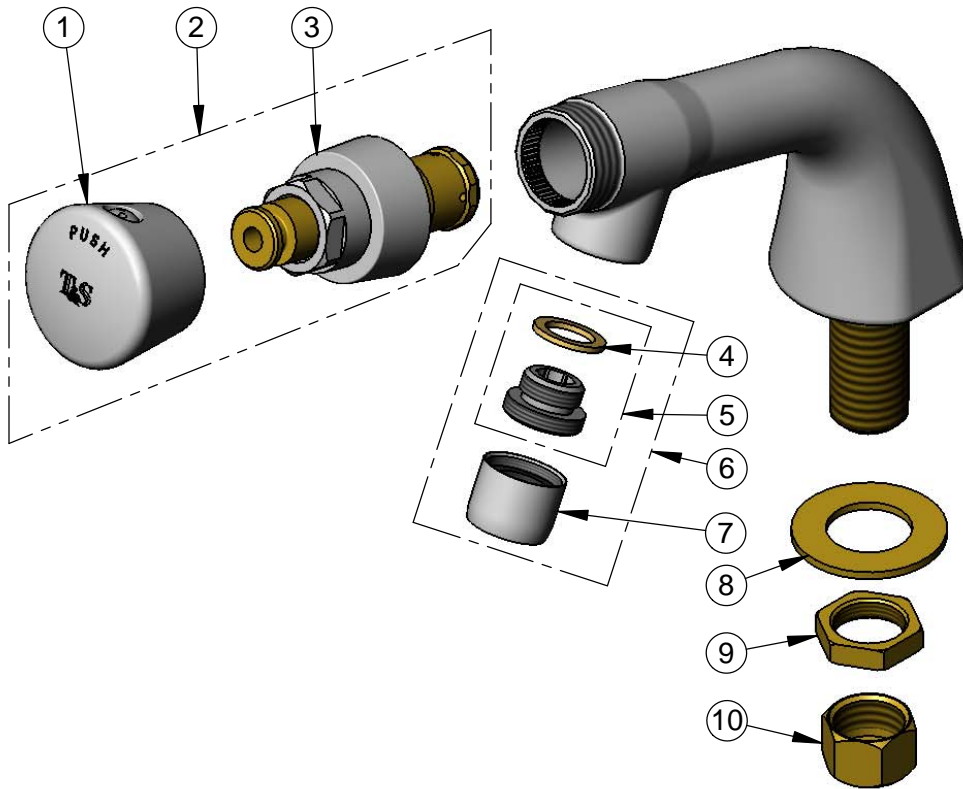
**T&S BRASS AND BRONZE WORKS, INC.**  
 2 Saddleback Cove / P.O. Box 1088  
 Travelers Rest, SC 29690

Model No.  
**B-0805**

Item No.

Travelers Rest, SC: 800-476-4103 • Simi Valley, CA: 800-423-0150 • Fax: 864-834-3518 • www.tsbrass.com

ITEM NO.	SALES NO.	DESCRIPTION
1	014193-40	Blank Push Button Cap w/ Spanner Bit
2	238AB	Metering Cartridge w/ Blank Push Button Cap & Spanner Bit
3	238A	Push Button Metering Cartridge
4	001043-45	Washer
5	044A	3/8" to Aerator Adapter
6	B-0199-02	2.2 GPM Aerator, 3/8" NPSM Male
7	B-0199-01	2.2 GPM Aerator, 55/64-27 UN Female
8	000999-45	Brass Lock Washer
9	002954-45	Shank Lock Nut
10	000958-20	Coupling Nut



014734-45  
 #8 Spanner Bit

Product Specifications:  
 Single Hole, Single Temperature Deck Mount Faucet, Push Button Metering Cartridge, 2.2 GPM Aerator & 1/2" NPSM Male Inlet

Product Compliance:  
 ASME A112.18.1 / CSA B125.1  
 NSF 61 - Section 9  
 NSF 372 (Low Lead Content)  
 ANSI A117.1 (ADA)