



T&S BRASS AND BRONZE WORKS, INC.
 2 Saddleback Cove / P.O. Box 1088
 Travelers Rest, SC 29690

Model No.
B-0807

Item No.

Travelers Rest, SC: 800-476-4103 • Simi Valley, CA: 800-423-0150 • Fax: 864-834-3518 • www.tsbrass.com



ADA Compliant

This Space for Architect/Engineer Approval

Job Name _____ Date _____

Model Specified _____ Quantity _____

Customer/Wholesaler _____

Contractor _____

Architect/Engineer _____

1 15/16"
 [50mm]



Metering Cartridge
 (Requires 3/32" Hex
 Key for Adjustment)

Blank Push Button Cap



B-0199-02
 2.2 GPM Aerator

Mounting Surface

1 1/4"
 [32mm]
 Maximum
 Thickness

Temperature Mixing Valve
 w/ Integral Check Valves

3/8" Compression Female Inlets
 18" Flexible Stainless Steel
 Supply Hoses

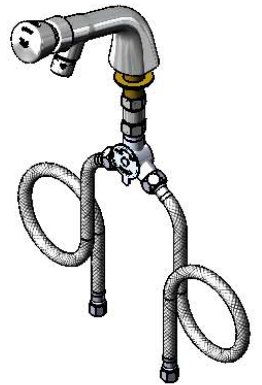
6 9/16"
 [167mm]

4 15/16"
 [127mm]

1 15/16"
 [50mm]

4 5/16"
 [109mm]

1 5/8"
 [41mm]



Rough-in Requirement:
 Ø 1" [25mm] Mounting Hole

Product Specifications:

Single Hole, Single Temperature Deck Mount Faucet, Push Button
 Metering Cartridge, 2.2 GPM Aerator, Temperature Control Mixing
 Valve w/ Integral Check Valves & 18" Flexible Stainless Steel Supply
 Hoses w/ 3/8" Compression Female Inlets

Product Compliance:

ASME A112.18.1 / CSA B125.1
 NSF 61 - Section 9
 NSF 372 (Low Lead Content)
 ANSI A117.1 (ADA)

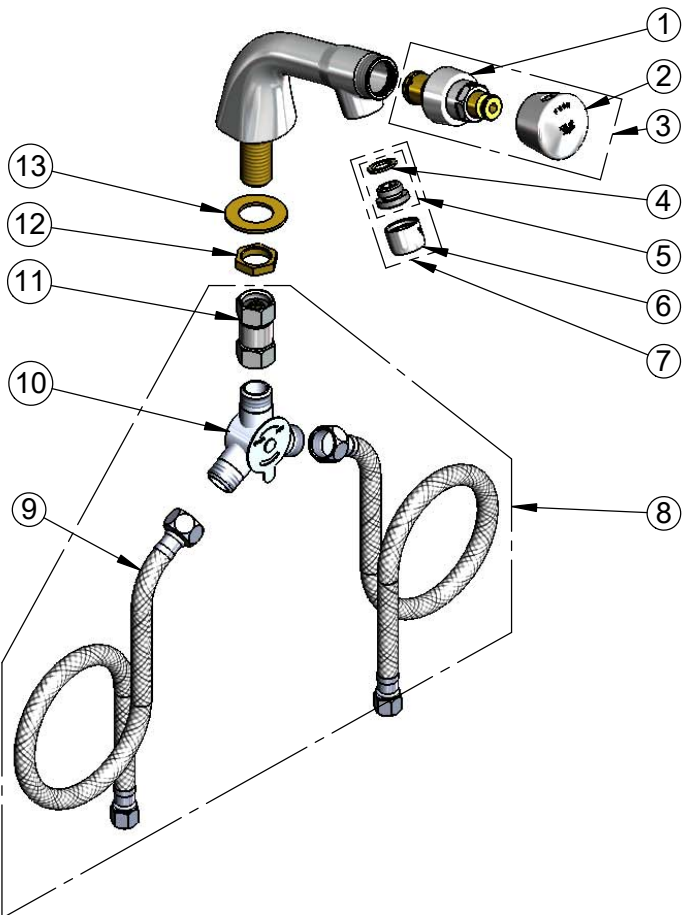


T&S BRASS AND BRONZE WORKS, INC.
 2 Saddleback Cove / P.O. Box 1088
 Travelers Rest, SC 29690

Model No.
B-0807
 Item No.

Travelers Rest, SC: 800-476-4103 • Simi Valley, CA: 800-423-0150 • Fax: 864-834-3518 • www.tsbrass.com

ITEM NO.	SALES NO.	DESCRIPTION
1	238A	Push Button Metering Cartridge
2	014193-40	Blank Push Cap Assembly
3	238AB	Push Button Metering Cartridge w/ Push Button Cap
4	001043-45	Washer
5	044A	3/8" to Aerator Adapter
6	B-0199-01	2.2 GPM Aerator, 55/64"-27 UN Female
7	B-0199-02	2.2 GPM Male Aerator, Adaptor & Washer
8	019321-40	Temperature Control Mixing Valve w/ Flexible 1/2" NPSM Male Inlets
9	5EF-0005	Supply Hose, 9/16-24 Female x 1/2" NPSM
10	5EF-0006	Mechanical Mixing Valve
11		
12	002954-45	Shank Lock Nut
13	000999-45	Brass Lock Washer




 014734-45
 #8 Spanner Bit

Product Specifications:
 Single Hole, Single Temperature Deck Mount Faucet, Push Button Metering Cartridge, 2.2 GPM Aerator, Temperature Control Mixing Valve w/ Integral Check Valves & 18" Flexible Stainless Steel Supply Hoses w/ 3/8" Compression Female Inlets

Product Compliance:
 ASME A112.18.1 / CSA B125.1
 NSF 61 - Section 9
 NSF 372 (Low Lead Content)
 ANSI A117.1 (ADA)