



T&S BRASS AND BRONZE WORKS, INC.

2 Saddleback Cove / P.O. Box 1088
Travelers Rest, SC 29690

Model No.

B-0874

Item No.

Travelers Rest, SC: 800-476-4103 • Simi Valley, CA: 800-423-0150 • Fax: 864-834-3518 • www.tsbrass.com



ADA Compliant

This Space for Architect/Engineer Approval

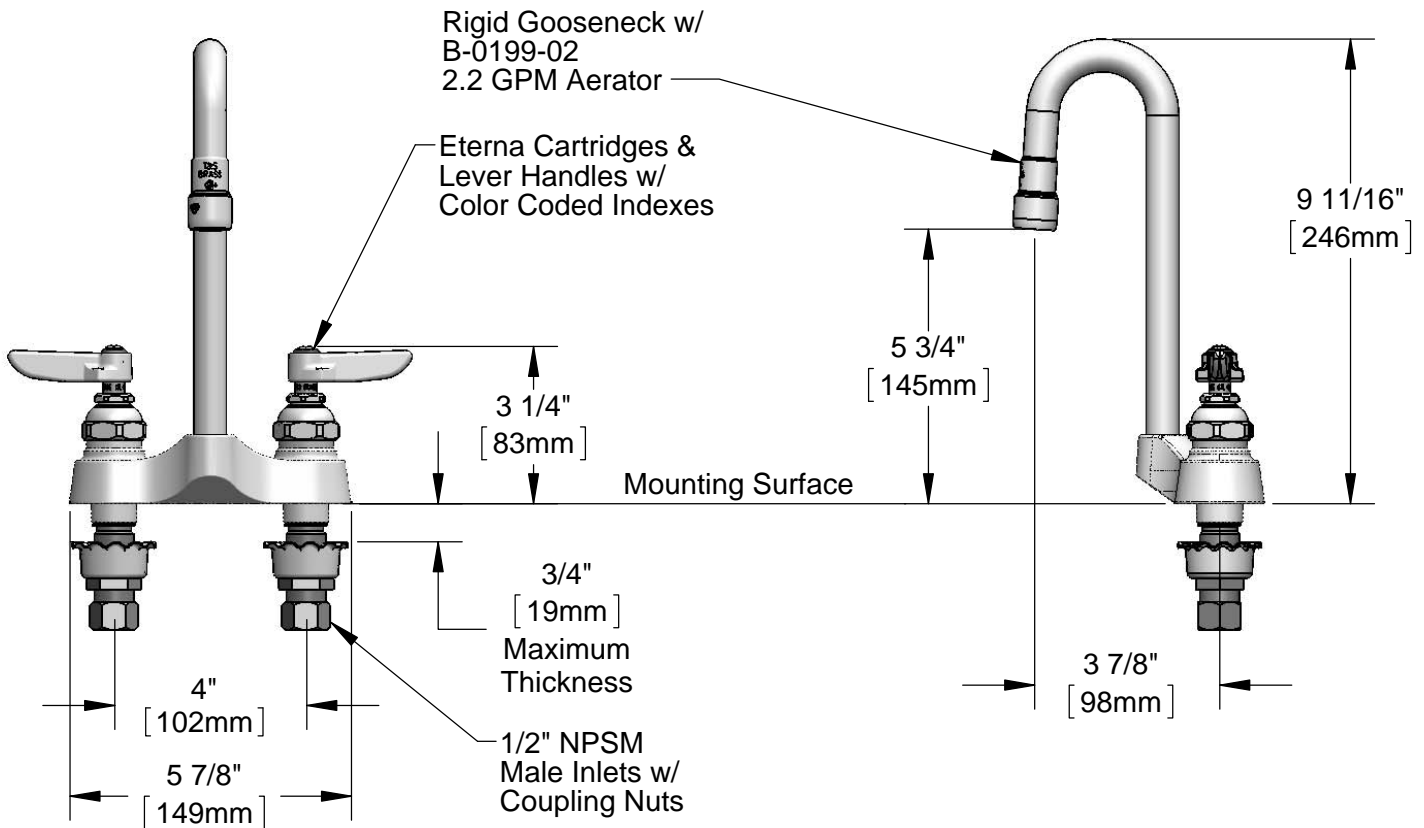
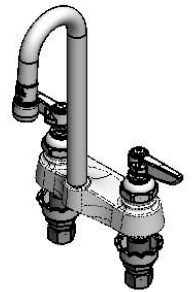
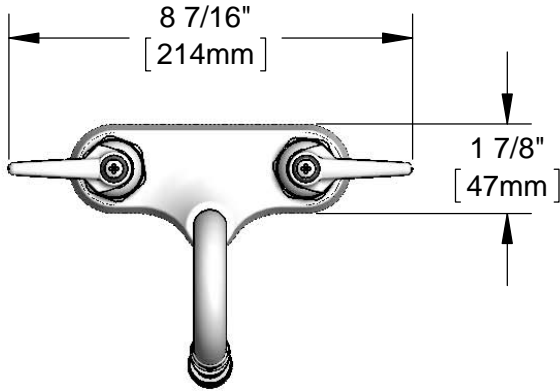
Job Name _____ Date _____

Model Specified _____ Quantity _____

Customer/Wholesaler _____

Contractor _____

Architect/Engineer _____



Rough-In Requirement:
(2) ϕ 1 1/8" [29mm] Mounting Holes

Product Specifications:
4" Centerset Deck Mount Faucet, Eterna Cartridges, Lever Handles, Rigid Gooseneck, 2.2 GPM Aerator & 1/2" NPSM Male Inlets w/ Coupling Nuts

Product Compliance:
ASME A112.18.1 / CSA B125.1
NSF 61 - Section 9
NSF 372 (Low Lead Content)
ANSI A117.1 (ADA)



T&S BRASS AND BRONZE WORKS, INC.

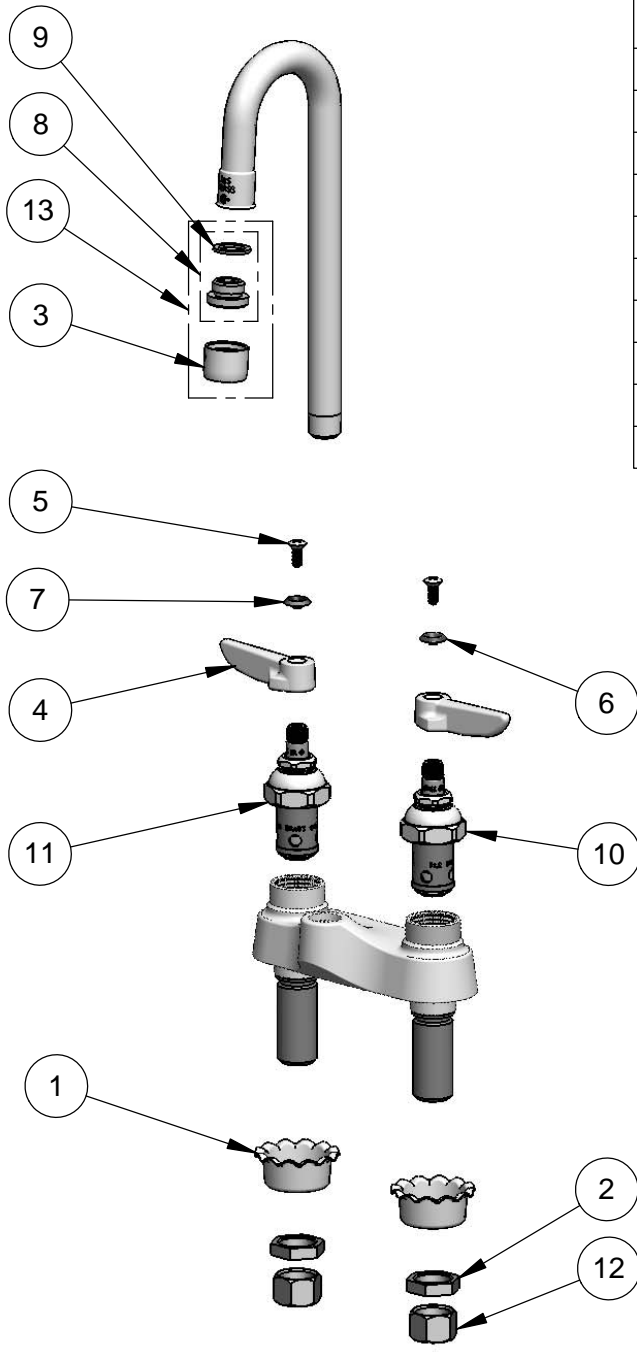
2 Saddleback Cove / P.O. Box 1088
Travelers Rest, SC 29690

Model No.

B-0874

Item No.

Travelers Rest, SC: 800-476-4103 • Simi Valley, CA: 800-423-0150 • Fax: 864-834-3518 • www.tsbrass.com



| ITEM NO. | SALES NO. | DESCRIPTION |
|----------|-----------|--------------------------------------|
| 1 | 001000-45 | Rosette Washer |
| 2 | 002954-45 | Shank Lock Nut |
| 3 | B-0199-01 | 2.2 GPM Aerator, 55/64"-27 UN Female |
| 4 | 001638-45 | Lever Handle |
| 5 | 000922-45 | Lever Handle Screw |
| 6 | 001660-45 | Blue Index-CW |
| 7 | 001661-45 | Red Index-HW |
| 8 | 044A | 3/8" to Aerator Adapter |
| 9 | 001043-45 | Washer |
| 10 | 005959-40 | Eterna Cartridge, LTC |
| 11 | 005960-40 | Eterna Cartridge, RTC |
| 12 | 000958-20 | Coupling Nut |
| 13 | B-0199-02 | Aerator, 2.2 GPM, 3/8" NPSM |

Product Specifications:

4" Centerset Deck Mount Faucet, Eterna Cartridges, Lever Handles, Rigid Gooseneck, 2.2 GPM Aerator & 1/2" NPSM Male Inlets w/ Coupling Nuts

Product Compliance:

ASME A112.18.1 / CSA B125.1
NSF 61 - Section 9
NSF 372 (Low Lead Content)
ANSI A117.1 (ADA)