



**T&S BRASS AND BRONZE WORKS, INC.**  
 2 Saddleback Cove / P.O. Box 1088  
 Travelers Rest, SC 29690

Model No.  
**B-1136-CR**  
 Item No.

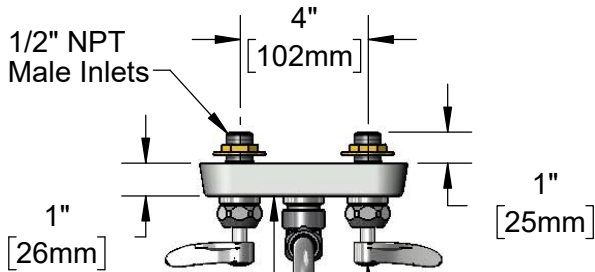
Travelers Rest, SC: 800-476-4103 • Simi Valley, CA: 800-423-0150 • Fax: 864-834-3518 • www.tsbrass.com



**ADA Compliant**

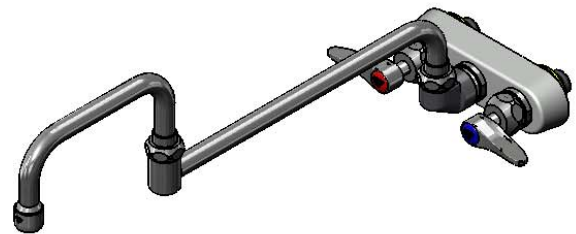
This Space for Architect/Engineer Approval

Job Name \_\_\_\_\_ Date \_\_\_\_\_  
 Model Specified \_\_\_\_\_ Quantity \_\_\_\_\_  
 Customer/Wholesaler \_\_\_\_\_  
 Contractor \_\_\_\_\_  
 Architect/Engineer \_\_\_\_\_



Polished Chrome Plated Escutcheon

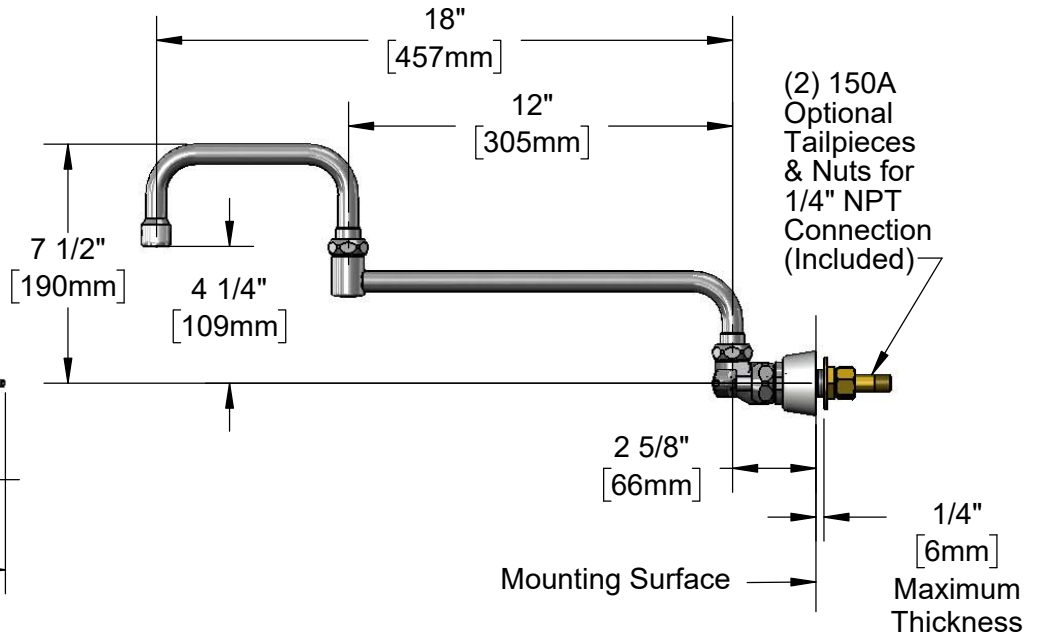
Quarter-Turn Cerama Cartridges w/ Check Valves & Lever Handles w/ Color Coded Indexes



068X-A22  
 18" Double Joint Swing Nozzle w/ 2.2 GPM Aerator

Swivel Joint Converts to Rigid w/ 014200-45 Lock Washer (Included)

2" [51mm]



(2) 150A Optional Tailpieces & Nuts for 1/4" NPT Connection (Included)

**Rough-In Requirement:**  
 (2)  $\varnothing$  1" [25mm] Mounting Holes

**Product Specifications:**  
 4" Wall Mount Workboard Faucet, Quarter-Turn Cerama Cartridges w/ Check Valves, Lever Handles, 18" Double Joint Swing Nozzle, 2.2 GPM Aerator & 1/2" NPT Male Inlets

**Product Compliance:**  
 ASME A112.18.1 / CSA B125.1  
 NSF 61 - Section 9  
 NSF 372 (Low Lead Content)  
 ANSI A117.1 (ADA)



# T&S BRASS AND BRONZE WORKS, INC.

2 Saddleback Cove / P.O. Box 1088  
Travelers Rest, SC 29690

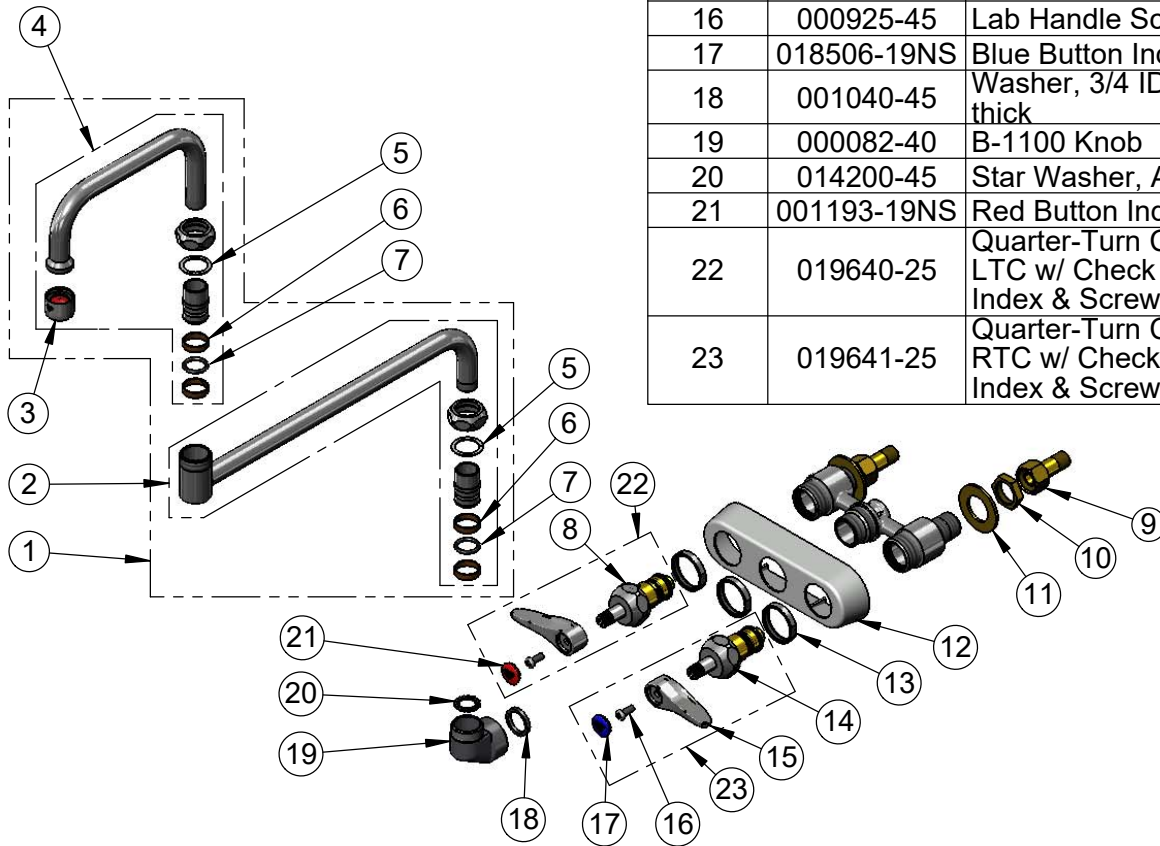
Model No.

**B-1136-CR**

Item No.

Travelers Rest, SC: 800-476-4103 • Simi Valley, CA: 800-423-0150 • Fax: 864-834-3518 • www.tsbrass.com

ITEM NO.	SALES NO.	DESCRIPTION
1	068X-A22	18" Double Joint Swing Nozzle w/ 2.2 GPM Aerator
2	002871-40	12" Back Section (New Style)
3	B-0199-01	2.2 GPM Aerator, 55/64"-27 UN Female
4	153X-A22	6" Front Section w/ 2.2 GPM Aerator
5	009538-45	Swivel Washer
6	011429-45	Swivel Sleeves (2)
7	001074-45	O-Ring
8	012395-25NS	Quarter-Turn New Style Cerama Cartridge w/ Check Valve, LTC
9	150A	1/4" NPT Tailpiece & Nut
10	002954-45	Shank Lock Nut
11	000999-45	Brass Lock Washer
12	019374-40	B-1110 Eterna Workboard Escutcheon
13	019376-40	Escutcheon Lock Nut
14	012394-25NS	Quarter-Turn New Style Cerama Cartridge w/ Check Valve, RTC
15	001638-45NS	Lever Handle (New Style)
16	000925-45	Lab Handle Screw
17	018506-19NS	Blue Button Index, Press-in
18	001040-45	Washer, 3/4 ID x 15/16 OD x 1/8 thick
19	000082-40	B-1100 Knob
20	014200-45	Star Washer, Anti-Rotation
21	001193-19NS	Red Button Index, Press-in
22	019640-25	Quarter-Turn Cerama Cartridge, LTC w/ Check Valve, Handle, Red Index & Screw
23	019641-25	Quarter-Turn Cerama Cartridge RTC w/ Check Valve, Handle, Blue Index & Screw



**Product Specifications:**

4" Wall Mount Workboard Faucet, Quarter-Turn Cerama Cartridges w/ Check Valves, Lever Handles, 18" Double Joint Swing Nozzle, 2.2 GPM Aerator & 1/2" NPT Male Inlets

**Product Compliance:**

ASME A112.18.1 / CSA B125.1  
NSF 61 - Section 9  
NSF 372 (Low Lead Content)  
ANSI A117.1 (ADA)