



T&S BRASS AND BRONZE WORKS, INC.

2 Saddleback Cove / P.O. Box 1088
Travelers Rest, SC 29690

Model No.

B-1141-04

Item No.

Travelers Rest, SC: 800-476-4103 • Simi Valley, CA: 800-423-0150 • Fax: 864-834-3518 • www.tsbrass.com



ADA Compliant

This Space for Architect/Engineer Approval

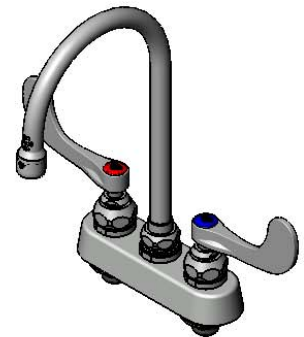
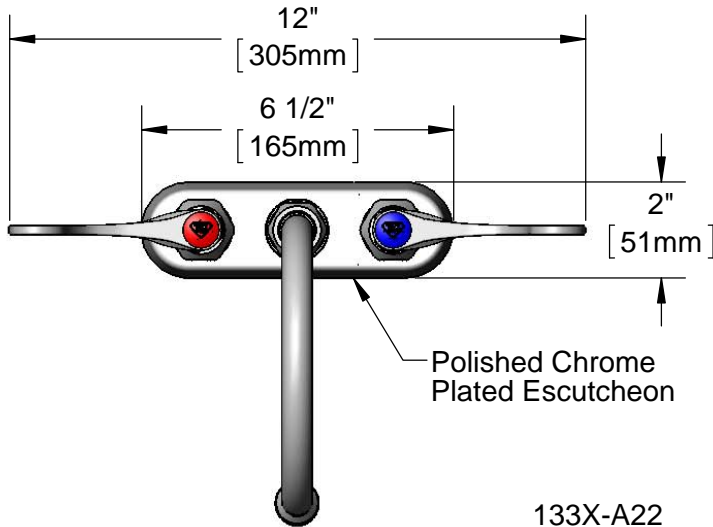
Job Name _____ Date _____

Model Specified _____ Quantity _____

Customer/Wholesaler _____

Contractor _____

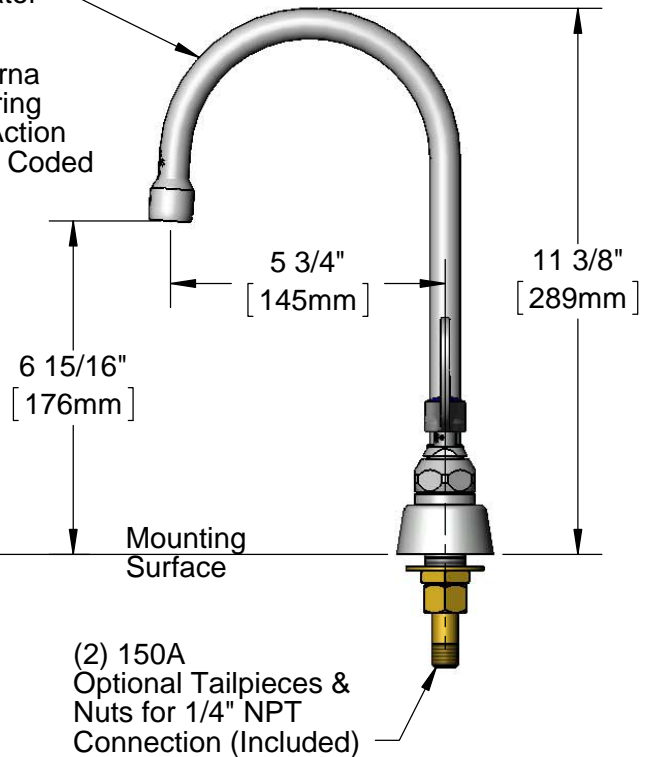
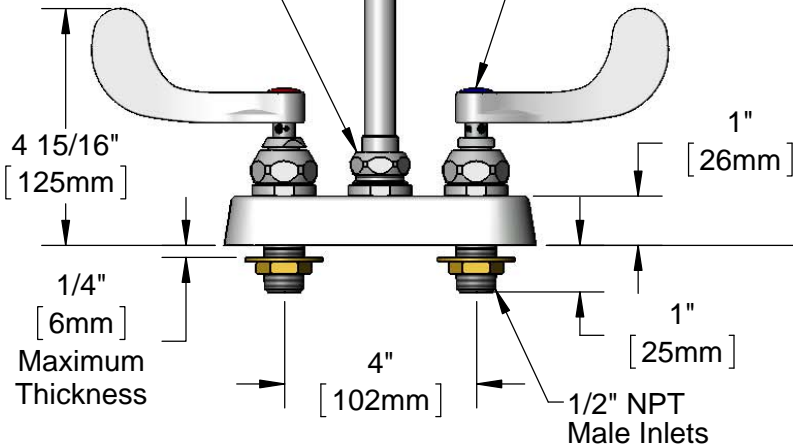
Architect/Engineer _____



133X-A22
6" Swivel Gooseneck
w/ 2.2 GPM Aerator

Swivel Joint
Converts to Rigid
w/ 014200-45
Lock Washer
(Included)

Quarter-Turn Eterna
Cartridges w/ Spring
Checks & Wrist Action
Handles w/ Color Coded
Indexes



(2) 150A
Optional Tailpieces &
Nuts for 1/4" NPT
Connection (Included)

Rough-In Requirement:
(2) \varnothing 1" [25mm] Mounting Holes

Product Specifications:

4" Deck Mount Workboard Faucet, Quarter-Turn Eterna Cartridges w/ Spring Checks, 4" Wrist Action Handles, 6" Swivel Gooseneck, 2.2 GPM Aerator & 1/2" NPT Male Inlets

Product Compliance:

ASME A112.18.1 / CSA B125.1
NSF 61 - Section 9
NSF 372 (Low Lead Content)
ANSI A117.1 (ADA)



T&S BRASS AND BRONZE WORKS, INC.

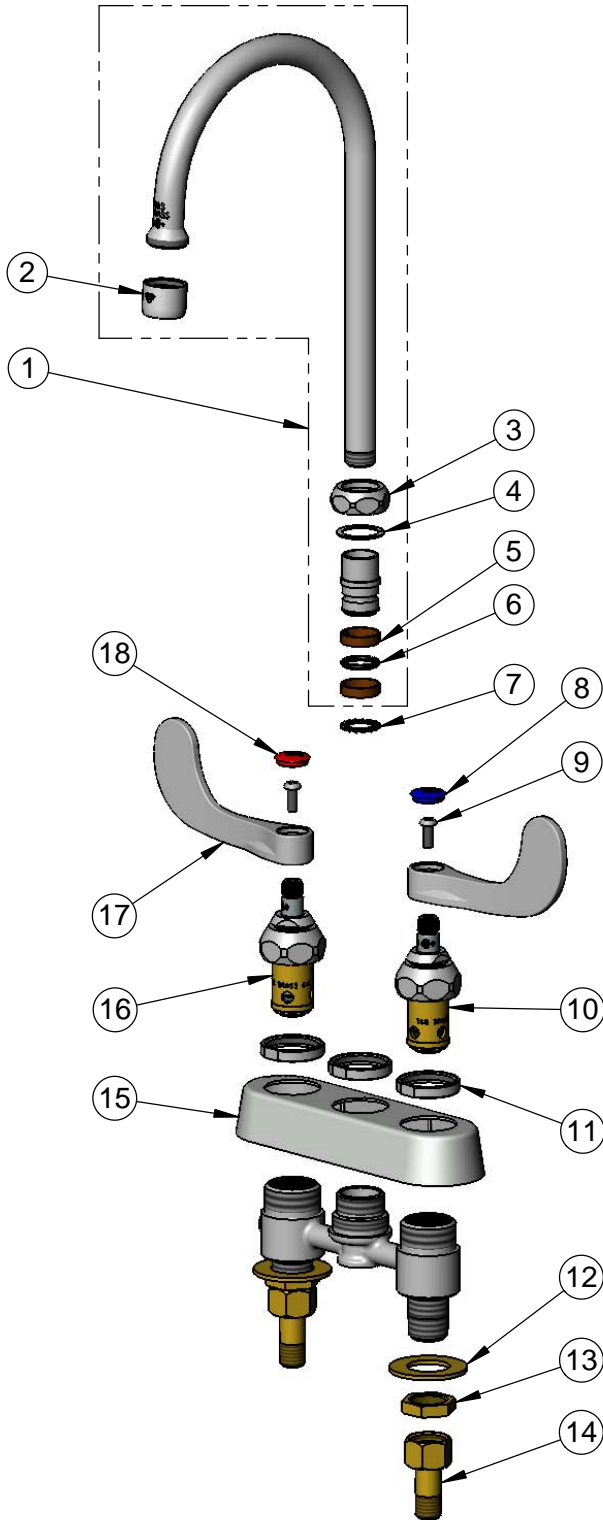
2 Saddleback Cove / P.O. Box 1088
Travelers Rest, SC 29690

Model No.

B-1141-04

Item No.

Travelers Rest, SC: 800-476-4103 • Simi Valley, CA: 800-423-0150 • Fax: 864-834-3518 • www.tsbrass.com



| ITEM NO. | SALES NO. | DESCRIPTION |
|----------|-----------|--|
| 1 | 133X-A22 | 6" Swivel Gooseneck w/ 2.2 GPM Aerator |
| 2 | B-0199-01 | 2.2 GPM Aerator, 55/64"-27 UN Female |
| 3 | 019360-40 | Swivel Nut (New Style) |
| 4 | 009538-45 | Swivel Washer |
| 5 | 011429-45 | Swivel Sleeves (2) |
| 6 | 001074-45 | O-Ring |
| 7 | 014200-45 | Star Washer, Anti-Rotation |
| 8 | 019363-45 | Blue Button Index, Press-in |
| 9 | 000925-45 | Lab Handle Screw |
| 10 | 019382-40 | Quarter-Turn New Style Eterna Cartridge w/ Spring Check, LTC |
| 11 | 019376-40 | Escutcheon Lock Nut |
| 12 | 000999-45 | Brass Lock Washer |
| 13 | 002954-45 | Shank Lock Nut |
| 14 | 150A | 1/4" NPT Tailpiece & Nut |
| 15 | 019374-40 | B-1110 Eterna Workboard Escutcheon |
| 16 | 019383-40 | Quarter-Turn New Style Eterna Cartridge w/ Spring Check, RTC |
| 17 | 019362-45 | Wrist Action Handle (New Style) |
| 18 | 019364-45 | Red Button Index, Press-in |

Product Specifications:

4" Deck Mount Workboard Faucet, Quarter-Turn Eterna Cartridges w/ Spring Checks, 4" Wrist Action Handles, 6" Swivel Gooseneck, 2.2 GPM Aerator & 1/2" NPT Male Inlets

Product Compliance:

ASME A112.18.1 / CSA B125.1
NSF 61 - Section 9
NSF 372 (Low Lead Content)
ANSI A117.1 (ADA)