



# T&S BRASS AND BRONZE WORKS, INC.

2 Saddleback Cove / P.O. Box 1088  
Travelers Rest, SC 29690

Model No.

**B-1141-04XS-F12**

Item No.

Travelers Rest, SC: 800-476-4103 • Simi Valley, CA: 800-423-0150 • Fax: 864-834-3518 • www.tsbrass.com



**ADA Compliant**

This Space for Architect/Engineer Approval

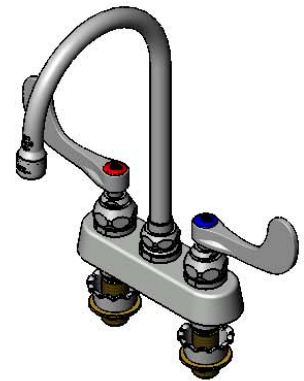
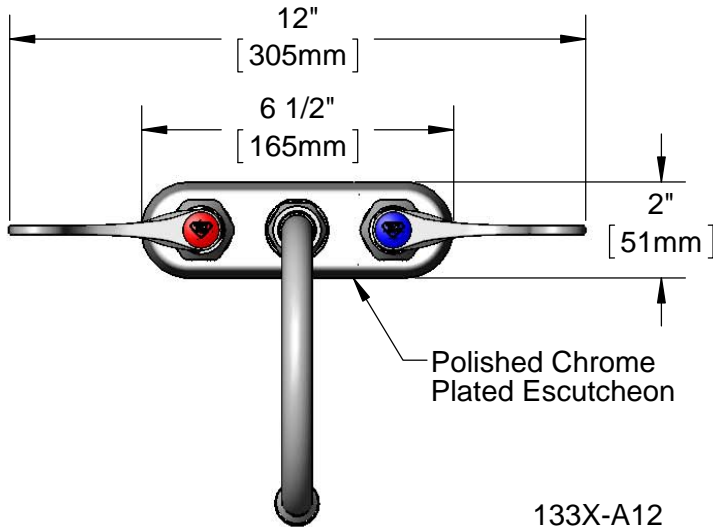
Job Name \_\_\_\_\_ Date \_\_\_\_\_

Model Specified \_\_\_\_\_ Quantity \_\_\_\_\_

Customer/Wholesaler \_\_\_\_\_

Contractor \_\_\_\_\_

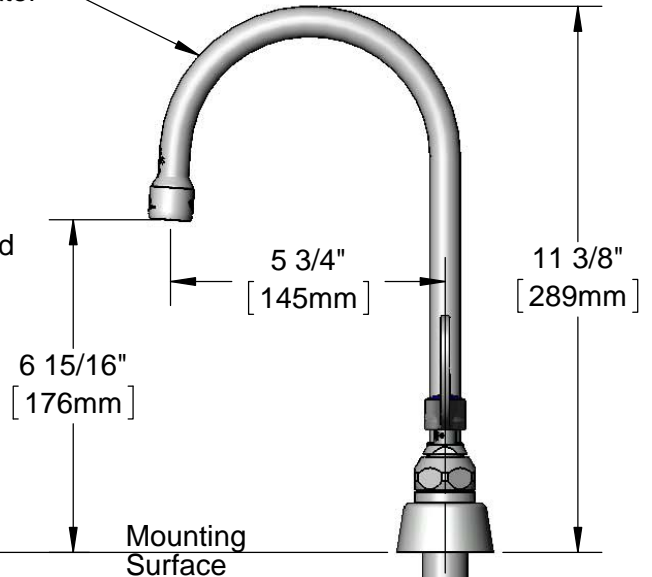
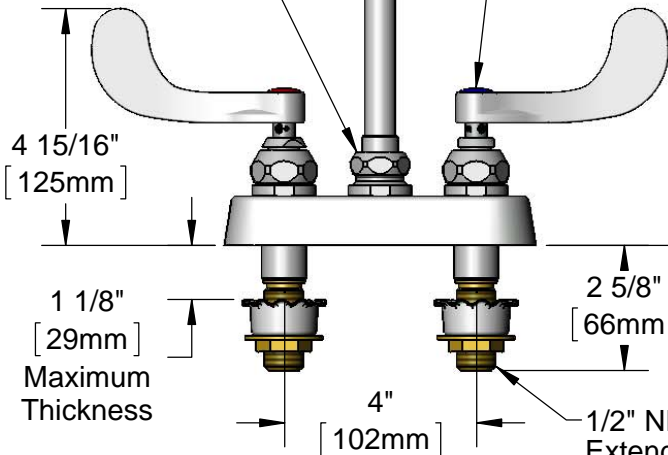
Architect/Engineer \_\_\_\_\_



133X-A12  
6" Swivel Gooseneck  
w/ 1.2 GPM Aerator

Swivel Joint  
Converts to Rigid  
w/ 014200-45  
Lock Washer  
(Included)

Quarter-Turn Eterna  
Cartridges w/ Spring  
Checks & Wrist Action  
Handles w/ Color Coded  
Indexes



(2) 150A  
Optional Tailpieces &  
Nuts for 1/4" NPT  
Connection (Included)

Rough-In Requirement:  
(2)  $\phi$  1" [25mm] Mounting Holes

**Product Specifications:**

4" Deck Mount Workboard Faucet, Quarter-Turn Eterna Cartridges w/ Spring Checks, 4" Wrist Action Handles, 6" Swivel Gooseneck, 1.2 GPM Aerator & 1/2" NPSM Extended Male Inlets

**Product Compliance:**

ASME A112.18.1 / CSA B125.1  
NSF 61 - Section 9  
NSF 372 (Low Lead Content)  
ANSI A117.1 (ADA)  
EPA WaterSense



# T&S BRASS AND BRONZE WORKS, INC.

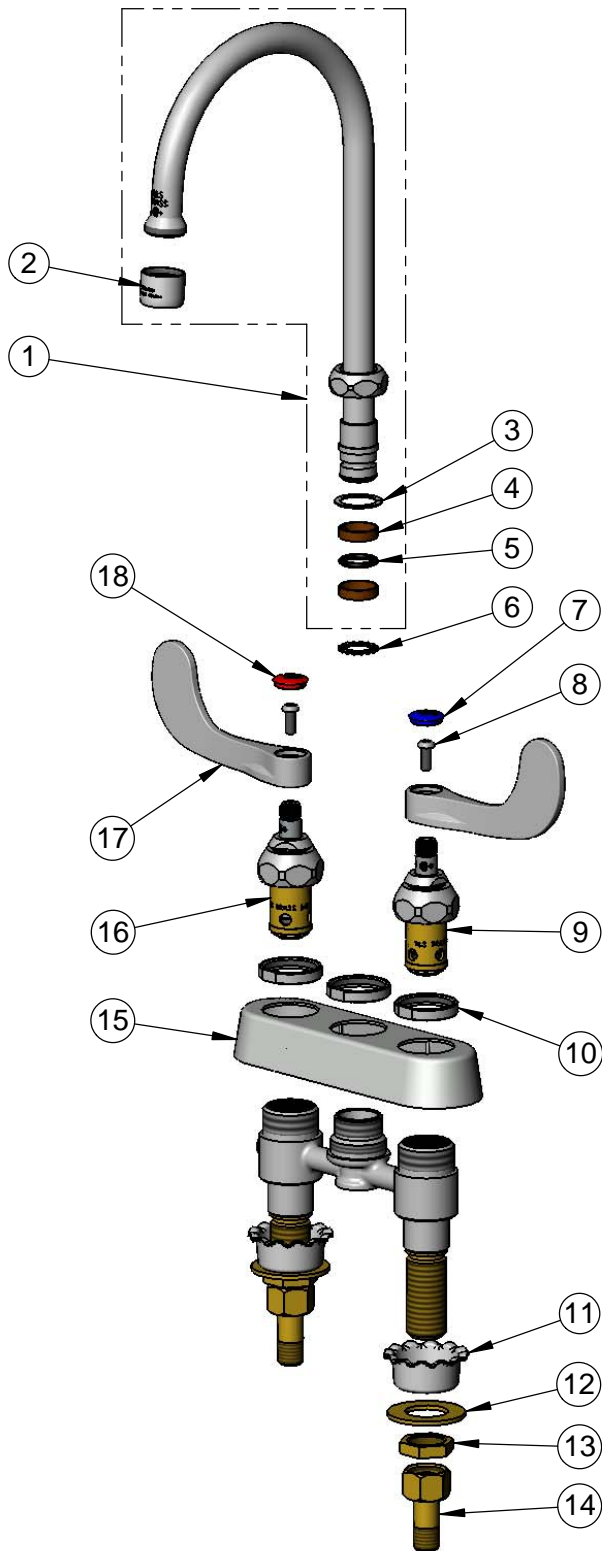
2 Saddleback Cove / P.O. Box 1088  
Travelers Rest, SC 29690

Model No.

**B-1141-04XS-F12**

Item No.

Travelers Rest, SC: 800-476-4103 • Simi Valley, CA: 800-423-0150 • Fax: 864-834-3518 • www.tsbrass.com



ITEM NO.	SALES NO.	DESCRIPTION
1	133X-A12	6" Swivel Gooseneck w/ 1.2 GPM Aerator
2	B-0199-01-F12	1.2 GPM Aerator, 55/64-27 UN Female
3	009538-45	Swivel Washer
4	011429-45	Swivel Sleeves (2)
5	001074-45	O-Ring
6	014200-45	Star Washer, Anti-Rotation
7	019363-45	Blue Button Index, Press-in
8	000925-45	Lab Handle Screw
9	019382-40	Quarter-Turn New Style Eterna Cartridge w/ Spring Check, LTC
10	019376-40	Escutcheon Lock Nut
11	001000-45	Rosette Washer
12	000999-45	Brass Lock Washer
13	002954-45	Shank Lock Nut
14	150A	1/4" NPT Tailpiece & Nut
15	019374-40	B-1110 Eterna Workboard Escutcheon
16	019383-40	Quarter-Turn New Style Eterna Cartridge w/ Spring Check, RTC
17	019362-45	Wrist Action Handle (New Style)
18	019364-45	Red Button Index, Press-in
41	011430-25	Swivel Piece

**Product Specifications:**

4" Deck Mount Workboard Faucet, Quarter-Turn Eterna Cartridges w/ Spring Checks, 4" Wrist Action Handles, 6" Swivel Gooseneck, 1.2 GPM Aerator & 1/2" NPSM Extended Male Inlets

**Product Compliance:**

ASME A112.18.1 / CSA B125.1  
NSF 61 - Section 9  
NSF 372 (Low Lead Content)  
ANSI A117.1 (ADA)  
EPA WaterSense