

T&S BRASS AND BRONZE WORKS, INC.
 2 SADDLEBACK COVE / P.O. BOX 1088 / TRAVELERS REST, SC 29690
 PHONE 800-476-4103 FAX 864- 834-3518



REG.#A2601
 ISO #9002

Model No.

B-1423

Item No.:

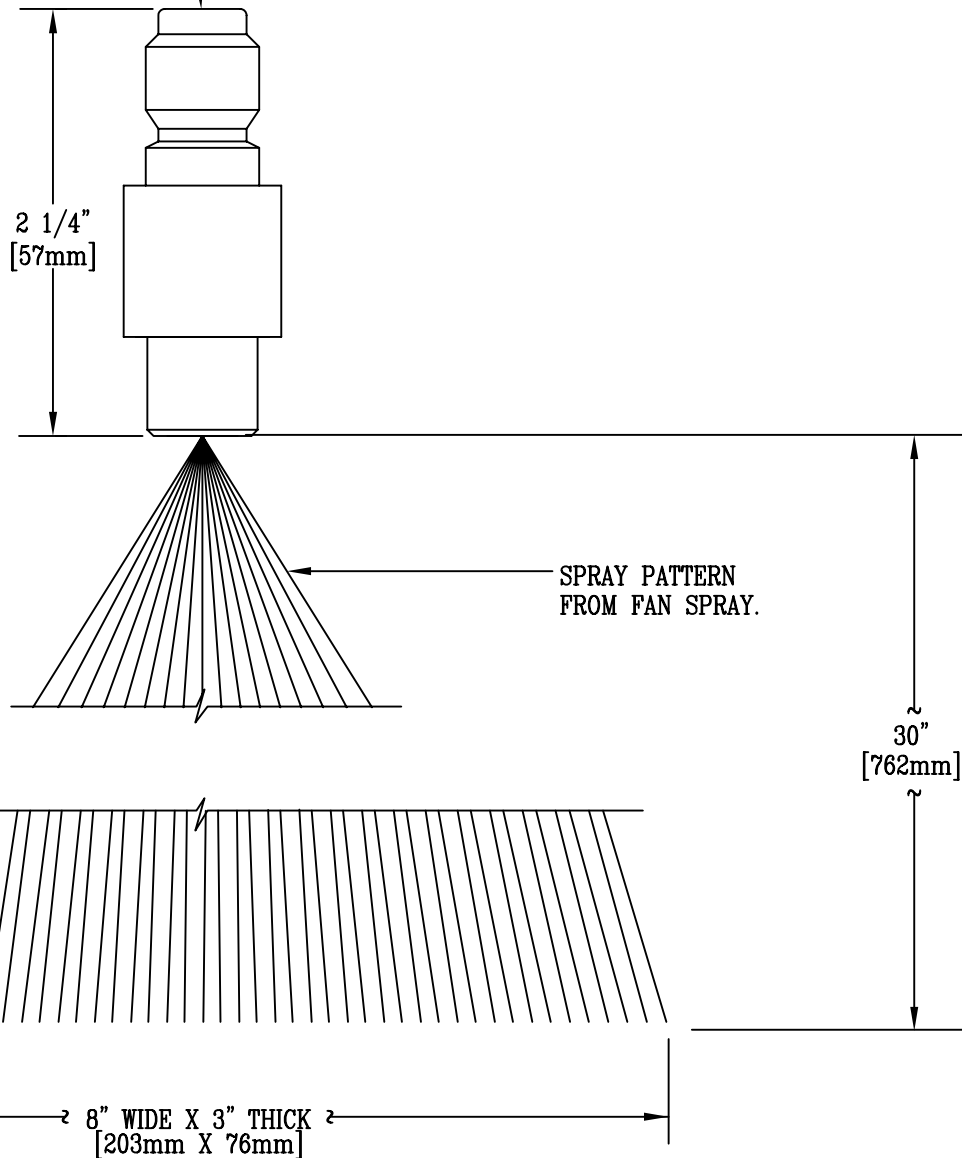
Job Name:

Architect/Engineer Approval:

Notes:

EPAct2005 NON-COMPLIANT

INSERT INTO QUICK CONNECT
 SOCKET OF SQUEEZE VALVE.



Product Description:

FAN SPRAY QUICK CONNECT FOR USE
 WITH SQUEEZE VALVE ASSEMBLIES

Drawn:

JRM

Approved

JHB

Checked

GEF

Scale:

1' = 1'

Date:

02/02/09