



T&S BRASS AND BRONZE WORKS, INC.

2 Saddleback Cove / P.O. Box 1088
Travelers Rest, SC 29690



REG. #A2601
ISO #9001

Model No.

B-2710-VF05

Item No.

Travelers Rest, SC: 800-476-4103 Simi Valley, CA: 800-423-0150 Fax: 864-834-3518 www.tsbrass.com

This Space for Architect/Engineer Approval

Job Name _____ Date _____

Model Specified _____ Quantity _____

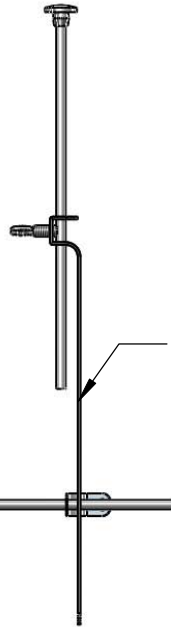
Customer/Wholesaler _____

Contractor _____

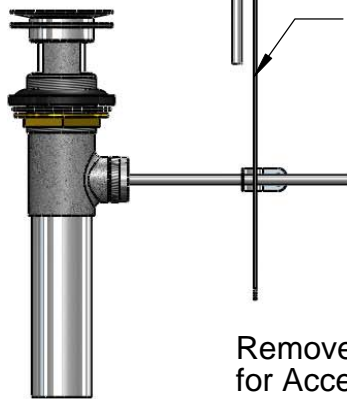
Architect/Engineer _____



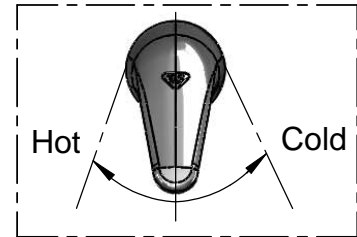
ADA Compliant



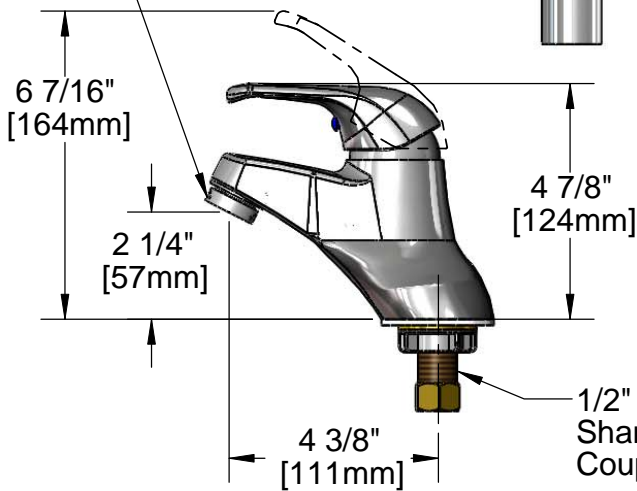
Pop-up
Drain Assembly



0.5 GPM
Vandal Resistant
Non-Aerated
Spray Device

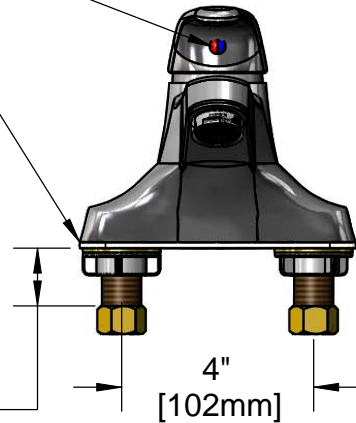


Removeable Index
for Access to Handle
Fastening Screw



Deck Gasket

1" [25mm]
Max. C'Top
Thickness



Note: Faucet Contains Temperature Limit Adjustment.
Remove Handle with Hex Key to Access and
Reposition Stop, to the Left or Right of Original
Position for Lower or Higher Maximum Temperature

Rough-in Requirement: ϕ 1" [25mm] Holes

Product Specifications:

4" Centerset Single Lever Faucet, 1/2" NPSM Male Inlet Shanks,
Pop-up Drain, Temperature Limit Stop & Ceramic Cartridge,
0.5 GPM Vandal Resistant Non-Aerated Spray Device

Drawn	Checked	Approved
DMH	KJG	JHB
Scale:		Date:
1:4		07/09/10



T&S BRASS AND BRONZE WORKS, INC.

2 Saddleback Cove / P.O. Box 1088
Travelers Rest, SC 29690



REG. #A2601
ISO #9001

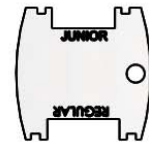
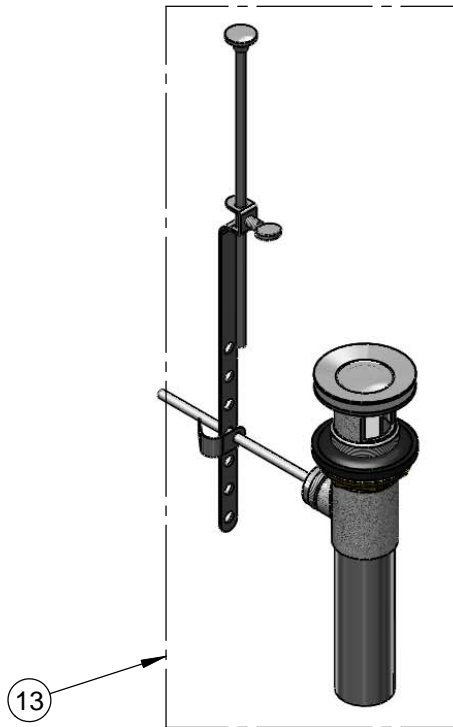
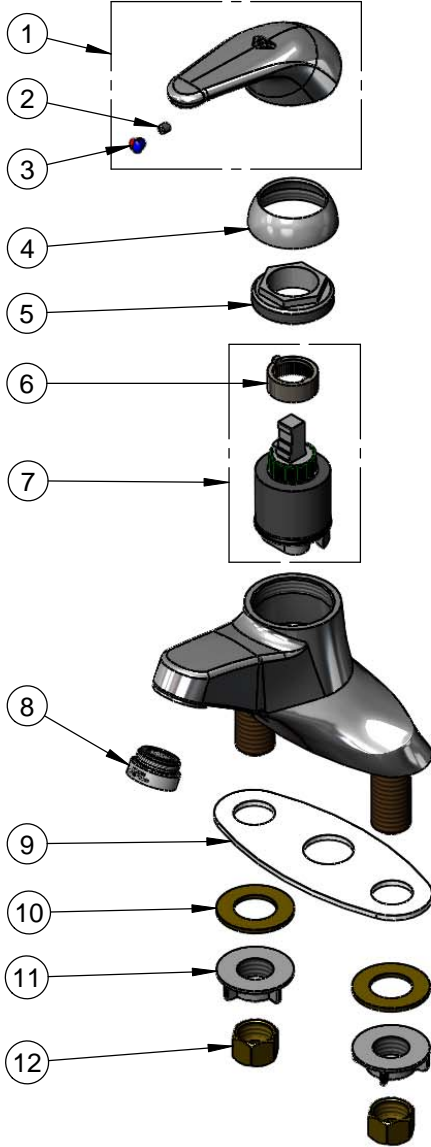
Model No.

B-2710-VF05

Item No.

Travelers Rest, SC: 800-476-4103 Simi Valley, CA: 800-423-0150 Fax: 864-834-3518 www.tsbrass.com

ITEM NO.	SALES NO.	DESCRIPTION
1	013113-45	B-2710 Handle, Single Lever
2	016675-45	Set Screw
3	014173-45	Index, Temperature
4	016661-45	Trim Ring
5	016663-45	Locking Nut
6	015400-45	Temperature Limit Stop
7	013111-45	B-2710 Cartridge Assembly
8	B-0199-09-N05	0.5 GPM VR Spray Device, 15/16-27 Male
9	014167-45	Deck Gasket
10	000999-45	Brass Lock Washer
11	016673-45	Shank Nut
12	000958-20	Coupling Nut
13	B-0898	Pop-Up Assembly



015425-45
Vandal Resistant Key
(Included w/ Spray Device)

Product Specifications:

4" Centerset Single Lever Faucet, 1/2" NPSM Male Inlet Shanks, Pop-up Drain, Temperature Limit Stop & Ceramic Cartridge, 0.5 GPM Vandal Resistant Non-Aerated Spray Device

Drawn	Checked	Approved
DMH	KJG	JHB
Scale:		Date:
1:4		07/09/10