



# T&S BRASS AND BRONZE WORKS, INC.

2 Saddleback Cove / P.O. Box 1088  
Travelers Rest, SC 29690

Model No.

**B-2711-VF22**

Item No.

Travelers Rest, SC: 800-476-4103 • Simi Valley, CA: 800-423-0150 • Fax: 864-834-3518 • www.tsbrass.com



**ADA Compliant**

This Space for Architect/Engineer Approval

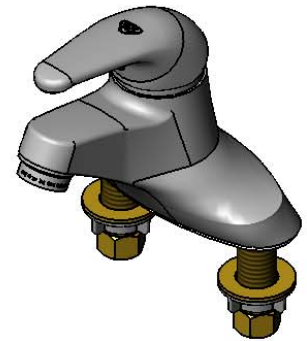
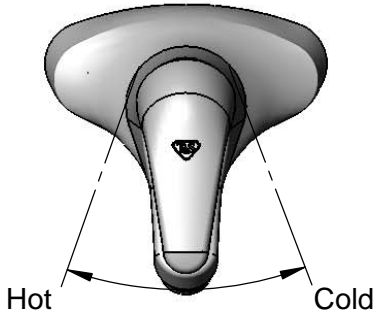
Job Name \_\_\_\_\_ Date \_\_\_\_\_

Model Specified \_\_\_\_\_ Quantity \_\_\_\_\_

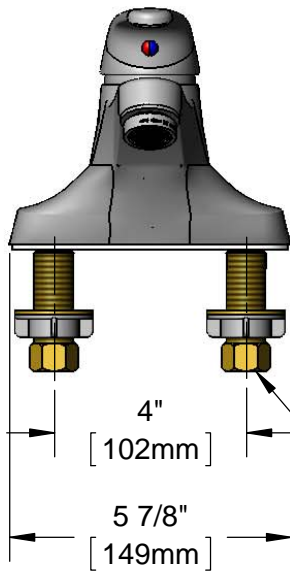
Customer/Wholesaler \_\_\_\_\_

Contractor \_\_\_\_\_

Architect/Engineer \_\_\_\_\_



B-0199-09  
Vandal Resistant  
2.2 GPM Aerator



Mounting  
Surface

1 3/8"  
[35mm]  
Maximum  
Thickness

1/2" NPSM Male  
Inlets w/ Coupling Nuts

4"  
[102mm]

5 7/8"  
[149mm]

4 7/8"  
[125mm]  
"OFF"

2 3/16"  
[56mm]

6 3/16"  
[157mm]  
Full "ON"

2 1/2"  
[63mm]

4 5/16"  
[110mm]

Rough-In Requirement:  
(2)  $\varnothing$  1" [25mm] Mounting Holes

Product Specifications:  
4" Deck Mount Single Lever Faucet, Temperature Limit Stop,  
Ceramic Cartridge, Vandal Resistant 2.2 GPM Aerator &  
1/2" NPSM Male Inlets

Product Compliance:  
ASME A112.18.1 / CSA B125.1  
NSF 61 - Section 9  
NSF 372 (Low Lead Content)  
ANSI A117.1 (ADA)

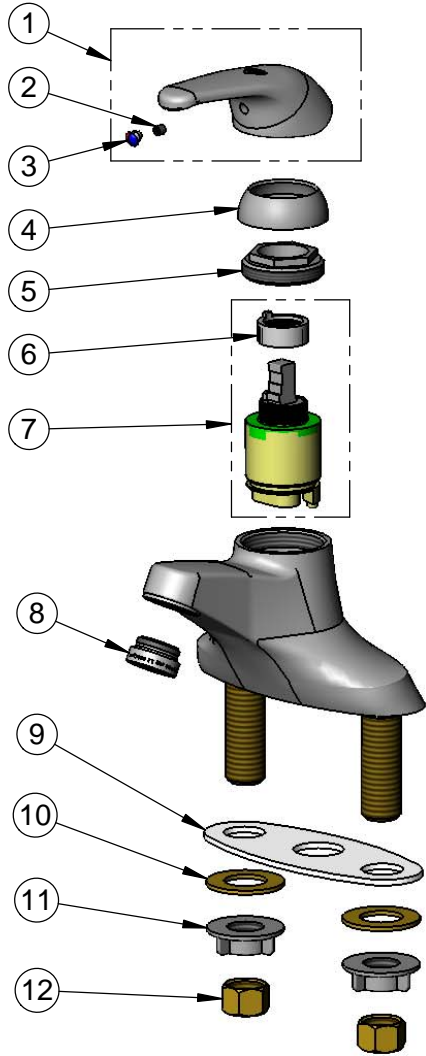


**T&S BRASS AND BRONZE WORKS, INC.**  
 2 Saddleback Cove / P.O. Box 1088  
 Travelers Rest, SC 29690

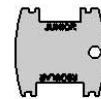
Model No.  
**B-2711-VF22**

Item No.

Travelers Rest, SC: 800-476-4103 • Simi Valley, CA: 800-423-0150 • Fax: 864-834-3518 • www.tsbrass.com



ITEM NO.	SALES NO.	DESCRIPTION
1	013113-45	Single Lever Short Handle
2	016675-45	Set Screw
3	014173-45	Index, Temperature
4	016661-45	Trim Ring
5	016663-45	Locking Nut
6	015400-45	Temperature Limit Stop
7	013111-45	Single Lever Ceramic Cartridge
8	B-0199-09	VR 2.2 GPM Aerator, 15/16-27UN Male w/ VR Key
9	014167-45	Deck Gasket
10	000999-45	Brass Lock Washer
11	016673-45	Shank Nut
12	000958-20	Coupling Nut



015425-45  
 Vandal Resistant Key  
 (Included)

Product Specifications:  
 4" Deck Mount Single Lever Faucet, Temperature Limit Stop,  
 Ceramic Cartridge, Vandal Resistant 2.2 GPM Aerator &  
 1/2" NPSM Male Inlets

Product Compliance:  
 ASME A112.18.1 / CSA B125.1  
 NSF 61 - Section 9  
 NSF 372 (Low Lead Content)  
 ANSI A117.1 (ADA)