



**T&S BRASS AND BRONZE WORKS, INC.**  
 2 Saddleback Cove / P.O. Box 1088  
 Travelers Rest, SC 29690

Model No.  
**B-3962-01-XS**

Item No.

Travelers Rest, SC: 800-476-4103 • Simi Valley, CA: 800-423-0150 • Fax: 864-834-3518 • www.tsbrass.com

This Space for Architect/Engineer Approval

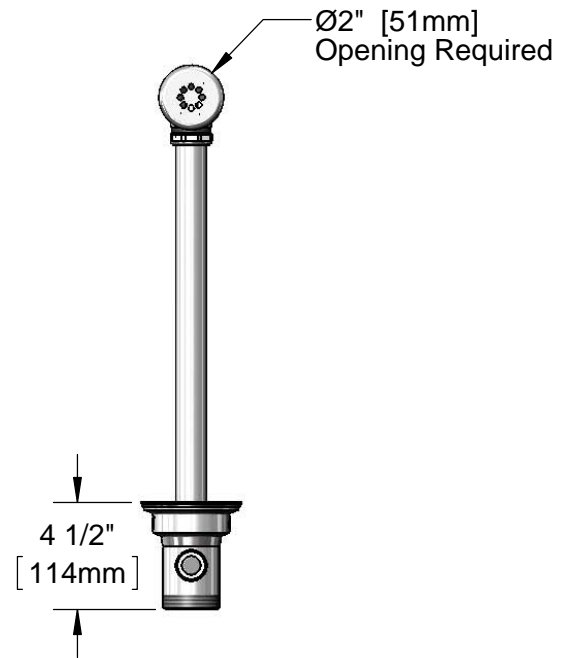
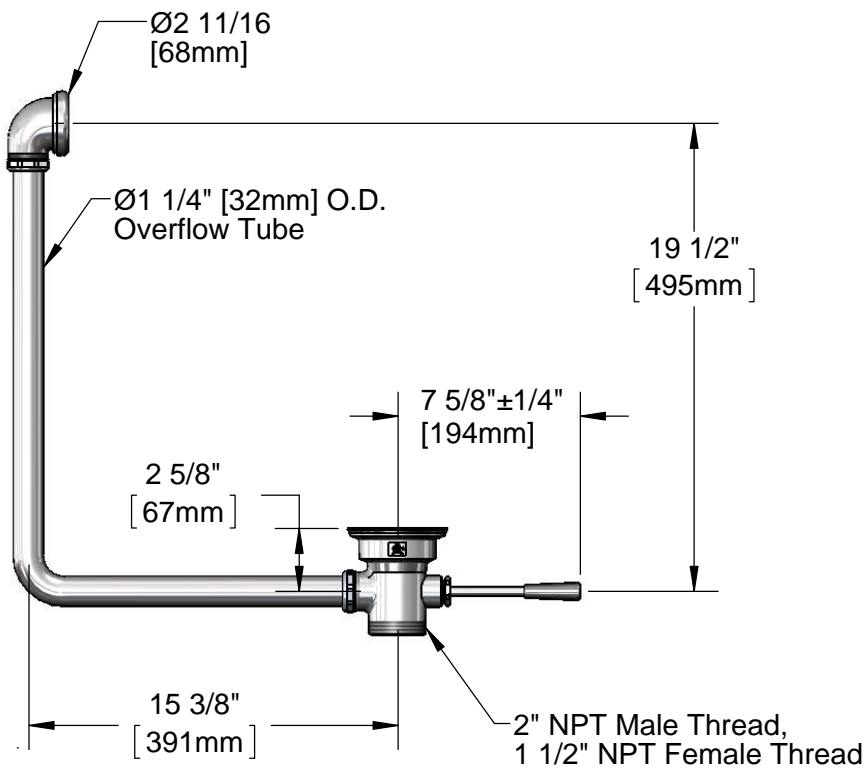
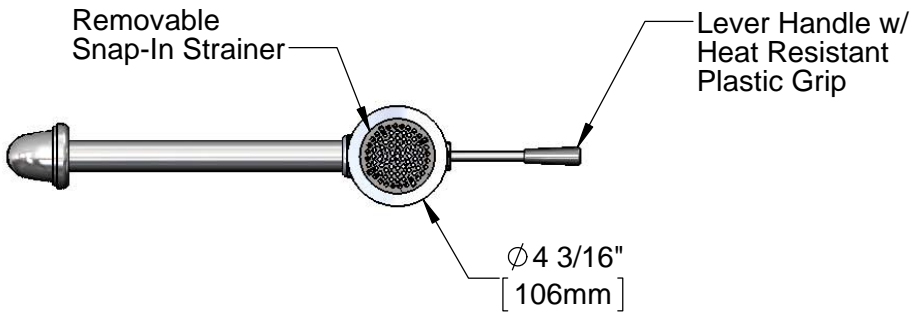
Job Name \_\_\_\_\_ Date \_\_\_\_\_

Model Specified \_\_\_\_\_ Quantity \_\_\_\_\_

Customer/Wholesaler \_\_\_\_\_

Contractor \_\_\_\_\_

Architect/Engineer \_\_\_\_\_



Product Specifications:  
 Waste Drain Valve w/ Short Lever Handle, 3" Sink Opening, 2" NPT Male Outlet, 1 1/2" NPT Female Outlet & Overflow Tube w/ Head Asm

Drawn <b>KJG</b>	Checked <b>JRM</b>	Approved <b>JHB</b>
Scale: <b>1:8</b>		Date: <b>09/30/13</b>



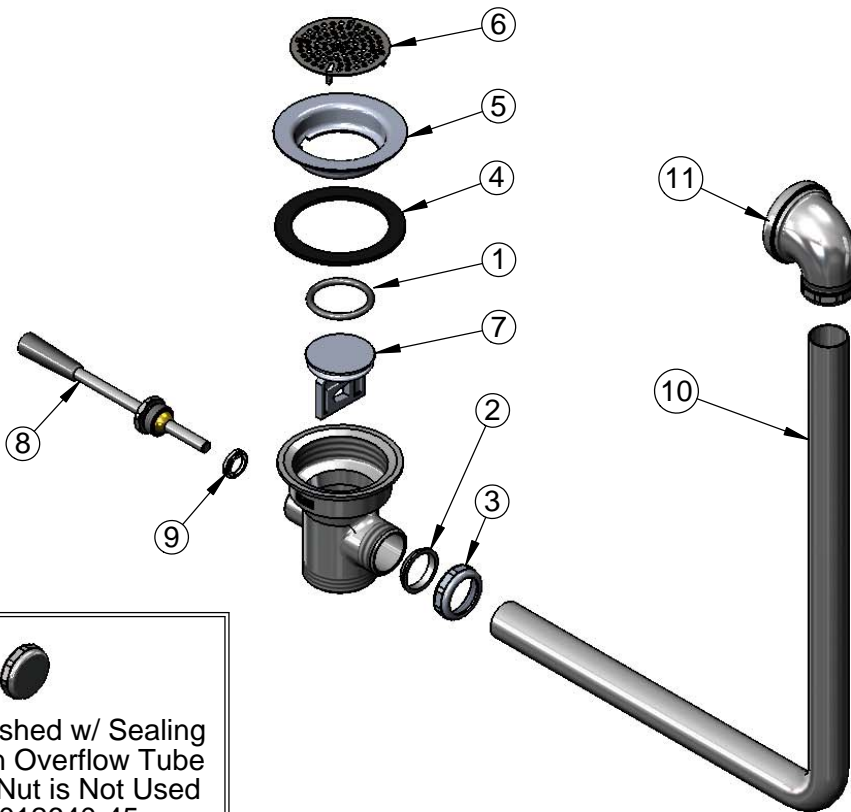
**T&S BRASS AND BRONZE WORKS, INC.**  
 2 Saddleback Cove / P.O. Box 1088  
 Travelers Rest, SC 29690

Model No.  
**B-3962-01-XS**

Item No.

Travelers Rest, SC: 800-476-4103 • Simi Valley, CA: 800-423-0150 • Fax: 864-834-3518 • www.tsbrass.com

ITEM NO.	SALES NO.	DESCRIPTION
1	010389-45	O-Ring, Plunger
2	010390-45	Ferrule, Coupling Nut
3	010391-45	Nut, Coupling For Twist Drain
4	010381-45	Gasket, 3" Face Flange
5	015306-45	Flange, 3" Face
6	010385-45	Strainer, 3" Snap-in
7	010388-45	Plunger, Lever and Twist Drain
8	010394-45XS	Handle, Waste Valve Short Lever
9	010392-45	Bushing, Waste Drain Lever Handle
10	011355-45	Tube, Overflow Elbow
11	011356-45	Head Asm, Overflow Tube



Also Furnished w/ Sealing Cap When Overflow Tube Coupling Nut is Not Used  
 PN# 012640-45

Product Specifications:  
 Waste Drain Valve w/ Short Lever Handle, 3" Sink Opening, 2" NPT Male Outlet, 1 1/2" NPT Female Outlet & Overflow Tube w/ Head Asm

Drawn <b>KJG</b>	Checked <b>JRM</b>	Approved <b>JHB</b>
Scale: <b>NTS</b>		Date: <b>09/30/13</b>