



T&S BRASS AND BRONZE WORKS, INC.
 2 Saddleback Cove / P.O. Box 1088
 Travelers Rest, SC 29690

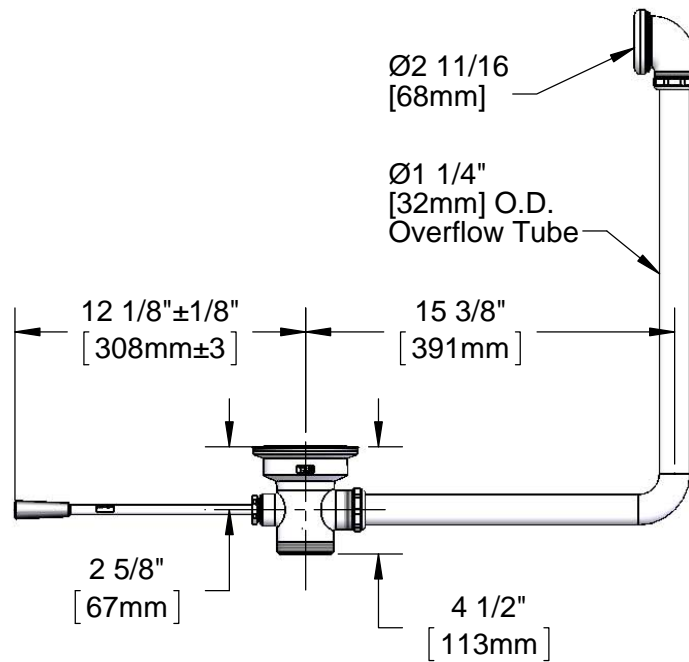
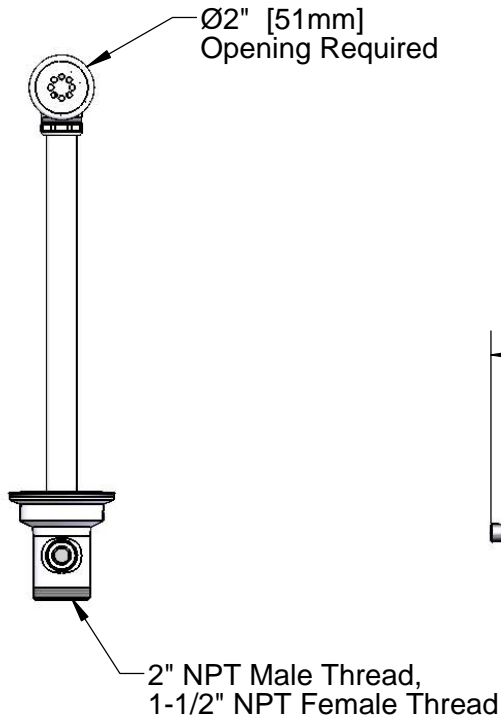
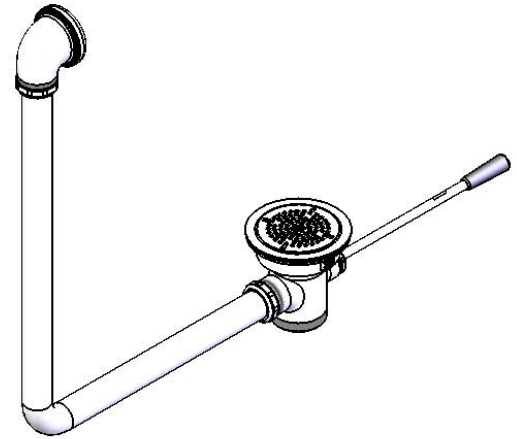
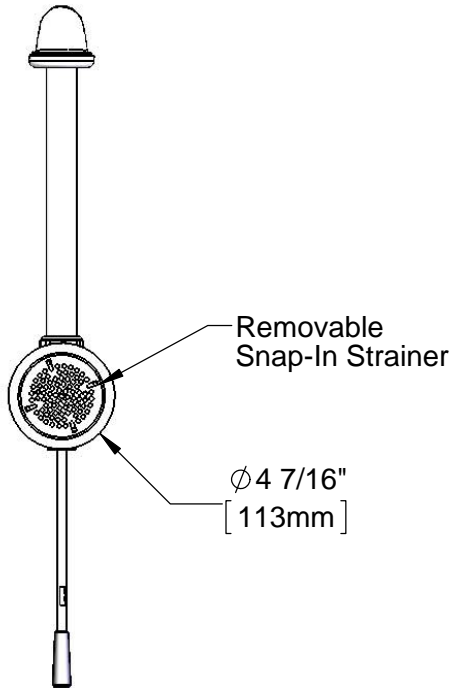
Model No.
B-3972-01

Item No.

Travelers Rest, SC: 800-476-4103 • Simi Valley, CA: 800-423-0150 • Fax: 864-834-3518 • www.tsbrass.com

This Space for Architect/Engineer Approval

Job Name _____ Date _____
 Model Specified _____ Quantity _____
 Customer/Wholesaler _____
 Contractor _____
 Architect/Engineer _____



Product Specifications:
 Waste Drain Valve w/ Lever Handle, 3 1/2" Sink Opening, 2" NPT Male / 1-1/2" NPT Female Outlet & Overflow Tube w/ Head Asm.

Product Compliance:
 ASME A112.18.2 / CSA B125.2



T&S BRASS AND BRONZE WORKS, INC.

2 Saddleback Cove / P.O. Box 1088
Travelers Rest, SC 29690

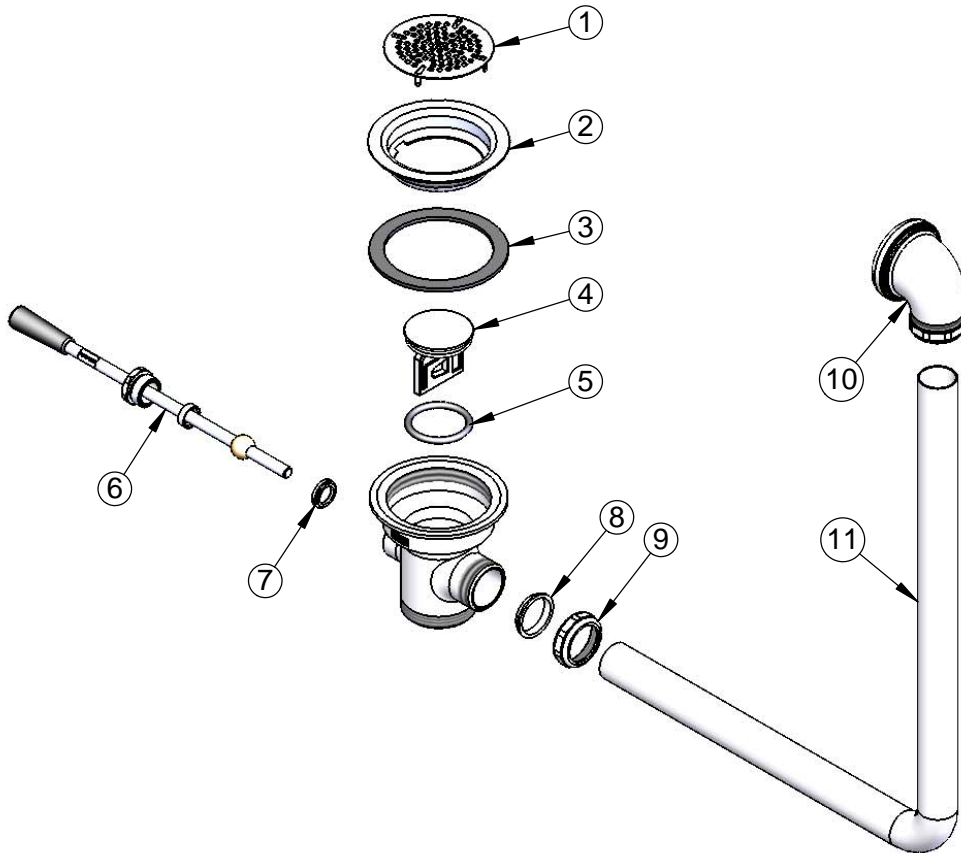
Model No.

B-3972-01

Item No.

Travelers Rest, SC: 800-476-4103 • Simi Valley, CA: 800-423-0150 • Fax: 864-834-3518 • www.tsbrass.com

ITEM NO.	SALES NO.	DESCRIPTION
1	010386-45	Strainer, 3 1/2" Snap-in Removable
2	010384-45	Flange, 3 1/2" Face
3	010382-45	Gasket, 3 1/2" Face Flange
4	010388-45	Plunger, Lever and Twist Drain
5	010389-45	O-Ring, Plunger
6	010394-45	Handle Asm, Waste Drain Valve Lever
7	010392-45	Bushing, Waste Drain Lever Handle
8	010390-45	Ferrule, Coupling Nut
9	010391-45	Nut, Coupling for Twist Drain
10	011356-45	Head Asm, Overflow Tube
11	011355-45	Tube, Overflow Elbow




 Washers, O-Rings & Gaskets are included in Parts Kit B-39K


 Also Furnished w/ Sealing Cap When Overflow Tube Coupling Nut is Not Used.
 PN# 012640-45

Product Specifications:

Waste Drain Valve w/ Lever Handle, 3 1/2" Sink Opening, 2" NPT Male / 1-1/2" NPT Female Outlet & Overflow Tube w/ Head Asm.

Product Compliance:

ASME A112.18.2 / CSA B125.2