



B55

## Features

- Application storage capacity from 242 lbs (110 kg) to 854 lbs (388 kg).
- Multiple bin tops provide an easy solution for mounting ice makers on different sized bins.
- Polyethylene bin liner is insulated with foam for maximum ice preservation – 1.5" to 3" (38 mm to 76 mm).
- 31" deep for use where space is at a premium.
- Built-in ice scoop holders on certain models.
- Sturdy leg design – 6" (152 mm) adjustable NSF approved legs – standard.
- Durable stainless finish.

SLOPE FRONT STORAGE BINS

## Bin Accessories

| Ice-O-Matic Part Number | Description                    |
|-------------------------|--------------------------------|
| 1011517-22              | Plastic ice shovel             |
| 1011517-23              | Hanging bracket for ice shovel |
| 1011517-24              | 46.5" Plastic paddle           |
| 1051517-29              | Hanging bracket for ice paddle |
| 9051127-01              | 82 Ounce ice scoop             |

## Ordering and Specification Information – Required Bin Top/Cover

| Bin Model No. | Application Bin Storage lbs (kgs) | Approximate Shipping Weight lbs (kgs) | ICE Series™ Cube Ice Makers |                   |                     | Nugget Ice Makers | Flake Ice Makers  |
|---------------|-----------------------------------|---------------------------------------|-----------------------------|-------------------|---------------------|-------------------|-------------------|
|               |                                   |                                       | 22" (559 mm) wide           | 30" (762 mm) wide | 48" (1,219 mm) wide | 21" (533 mm) wide | 21" (533 mm) wide |
| B25PP*        | 242 (110)                         | 74 (34)                               | KBT19                       | ■ ■               | N/A                 | KBT19             | KBT19             |
| B4OPS         | 344 (156)                         | 103 (47)                              | KBT19                       | ■ ■               | N/A                 | KBT19             | KBT19             |
| B42PS         | 351 (160)                         | 99 (45)                               | ■ ■                         | N/A               | N/A                 | KBT24             | KBT24             |
| B55PS         | 510 (232)                         | 125 (57)                              | KBT19                       | ■ ■               | N/A                 | KBT19             | KBT19             |
| B11OPS        | 854 (388)                         | 163 (74)                              | N/A                         | BPF-1             | ■ ■                 | KBT23             | KBT23             |

■ ■ Kit not required. Hold down securement recommended.

Bin Height includes 6" (423 mm) legs. All bins have polyethylene liners.

\*Rotocast finish

## Ordering and Specification Information – Side by Side

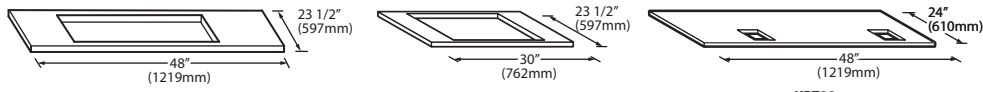
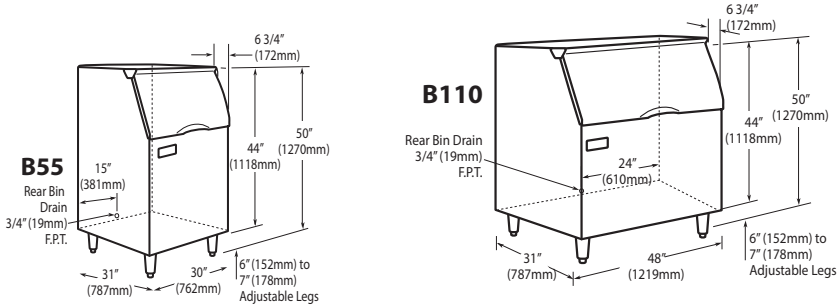
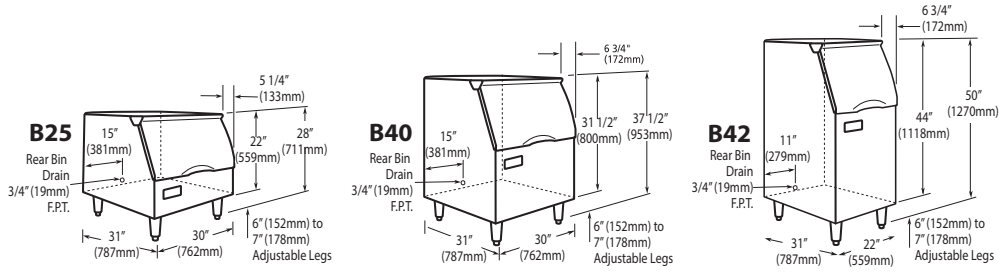
| Bin Model No. | Style       | Application Bin Storage lbs (kgs) | Approximate Shipping Weight lbs (kgs) | ICE Series™ Cube Ice Makers |                       |                         | Nugget Ice Makers     | Flake Ice Makers      |
|---------------|-------------|-----------------------------------|---------------------------------------|-----------------------------|-----------------------|-------------------------|-----------------------|-----------------------|
|               |             |                                   |                                       | Two 22" (559 mm) wide       | Two 30" (762 mm) wide | Two 48" (1,219 mm) wide | Two 21" (533 mm) wide | Two 21" (533 mm) wide |
| B25PP*        | Slope Front | 242 (110)                         | 74 (34)                               | N/A                         | N/A                   | N/A                     | N/A                   | N/A                   |
| B4OPS         | Slope Front | 344 (156)                         | 103 (47)                              | N/A                         | N/A                   | N/A                     | N/A                   | N/A                   |
| B42PS         | Slope Front | 351 (160)                         | 99 (45)                               | N/A                         | N/A                   | N/A                     | N/A                   | N/A                   |
| B55PS         | Slope Front | 510 (232)                         | 125 (57)                              | N/A                         | N/A                   | N/A                     | N/A                   | N/A                   |
| B11OPS        | Slope Front | 854 (388)                         | 163 (74)                              | N/A                         | N/A                   | N/A                     | KBT22                 | KBT22                 |

\*Rotocast finish



SLOPE FRONT STORAGE BINS

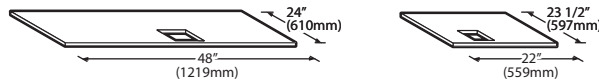
Dimensions



**KBT5**  
Bin Top for 30" (762 mm) ICE series cuber including the ICE1506 family on a B100 bin

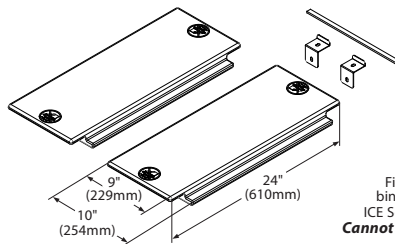
**KBT19**  
Bin Top for 30" (762mm) bins with 22" (559mm) ICE Series Cube Ice Makers GEM Series Ice Makers & MFI Series Ice Makers

**KBT22**  
Bin Top for 48" (1219mm) bins with (2) 21" (533mm) wide GEM Series Ice Makers & MFI Series Ice Makers



**KBT23**  
Bin Top for 48" (1219mm) bins with (1) 21" (533mm) wide GEM Series Ice Makers & MFI Series Ice Makers

**KBT24**  
Bin Top for 22" (559mm) bins with (1) 21" (533mm) wide GEM Series Ice Maker



**BPF-1**  
Filler Panel for B110 bins with 30" (762mm) ICE Series Cube Ice Makers **Cannot be used with the B100**

NOTES:

Approx. Shipping Weight (lbs): B110 191 (87 kg) • B55 170 (77 kb) • B25 95 (43 kg) • B40 135 (61 kg) • B42 135 (61 kg)