

BusBoy by

NEMCO
FOOD EQUIPMENT

Commercial Food Waste
Disposer Systems

JOB _____ ITEM # _____

Commercial Disposer Model B1500 - 1½ hp



Application

The Bus Boy Model B1500 - 1½ hp disposer is designed for use in medium sized food service operations with predominantly heavy food waste.

Motor

Dual-directional 1½ hp, totally enclosed for maximum protection against moisture. Fan-cooled with integral thermal overload protection. Dual voltage motors available in single phase 120/240 volts, 60 cycle; three phase 208-240/480 volts, 60 cycle. See Motor Data. Permanently lubricated bearing systems.

Motor Data

Model B1500 - 1½ hp - 1725 rpm (60 cycle).

Single Phase: 120/240 Volts, 14.4/11.0 Amps. Overload Protection in Motor.

Three Phase: 208-240/480 Volts, 4.8/2.7 Amps. Overload Protection in Motor.

Motor Shaft Seals

Dual independent motor shaft seal provides double protection of motor from water damage.

Hopper

Corrosion-resistant with auxiliary water inlet. 6" throat opening.

Grinding Table

8" diameter, dynamically balanced cast chrome alloy, heat treated to 56-58 Rockwell C. Four permanently affixed impact lugs. Precision-ground to a tolerance of .005" to grinding sleeve for maximum grind ability.

Grinding Sleeve

8" diameter, cast chrome alloy, heat treated to 58-60 Rockwell C. 16 permanently affixed primary breakup lugs and 48 precision grinding teeth.

Waste Outlet

Waste outlet pipe size is 2".

Mounting Assemblies

See reverse page. Cones - 12", 15" or 18" diameter, corrosion-resistant stainless steel. Sink or trough adapter flange, stainless steel, 6" diameter. All mounting assemblies include specially-designed neoprene silencer which isolates disposers from metal-to-metal contact, absorbs vibration and greatly reduces noise level.

Adapters

Available for replacing other manufacturers' units with Bus Boy.

Agency Data

Bus Boy Model B1500 - 1½ hp is Underwriters' Laboratories, Inc., listed.

Warranty

Warranted for one year covering parts and labor. All installations MUST be made in accordance with applicable local codes.

Approximate Weight

84 lbs. shipping.

Accessories

Consult Price List for Accessories, Cut-Down and Alternate Hoppers, and Adjustable Leg Supports.

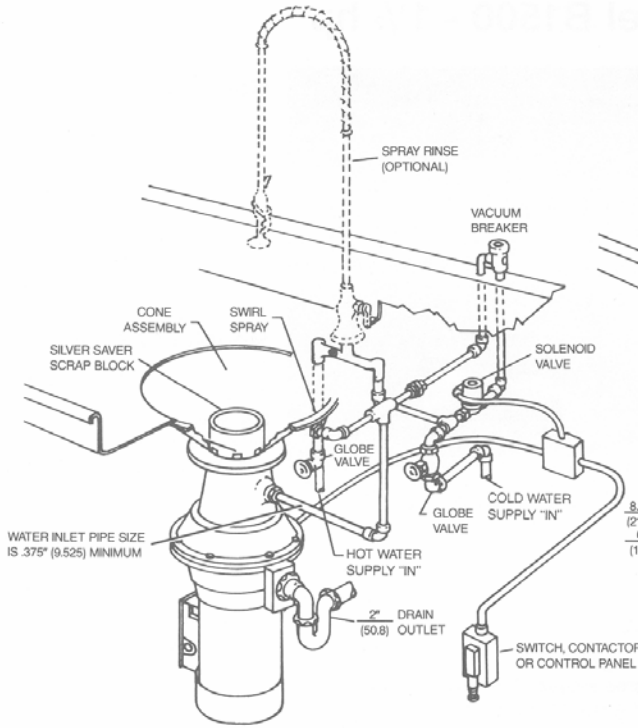
NEMCO FOOD EQUIPMENT
301 Meuse Argonne • Hicksville, OH 43526 USA
Phone (419) 542-7751 • Fax (419) 542-6690
Toll Free (800) 782-6761
www.nemcofoodequip.com

Commercial Disposer

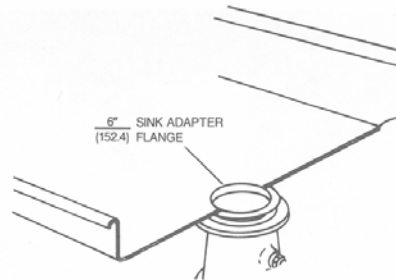
Model B1500 - 1½ hp

We reserve the right to change specifications and product design without notice. Such revisions do not entitle the buyer to corresponding changes, improvements, additions or replacements for previously purchased equipment.

NOTE: ALL FIGURES IN PARENTHESES ARE IN MILLIMETERS.



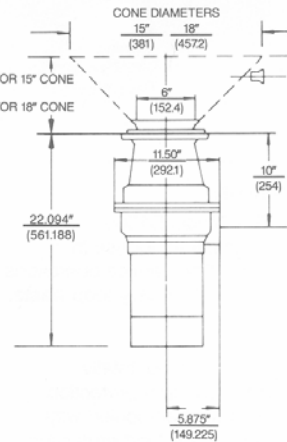
TYPICAL INSTALLATION



SINK FLANGE INSTALLATION

MODEL B1500

DIMENSIONAL INFORMATION



BusBoy by

NEMCO
FOOD EQUIPMENT