

Commercial Disposer Model B2000 - 2 hp



Application

The Bus Boy Model B2000 - 2 hp disposer is designed for use in medium to large food service operations with predominantly average and some heavy food waste.

Motor

Dual-directional 2 hp, totally enclosed for maximum protection against moisture. Fan-cooled with integral thermal overload protection. Dual voltage motors available in three phase 208-220/440 volts, 60 cycle. See Motor Data. No single phase motors available.

Motor Data

Model B2000 - 2 hp - 1725 rpm
(60 cycle).

Three Phase Only: 208-220/440
Volts, 6.7/3.4 Amps. Overload
Protection in Motor.

Motor Shaft Seals

Dual independent motor shaft seal provides double protection of motor from water damage.

Hopper

Corrosion-resistant with auxiliary water inlet. 6" throat opening.

Grinding Table

8" diameter, dynamically balanced cast chrome alloy, heat treated to 58-60 Rockwell C. Four permanently affixed impact lugs. Precision-ground to a tolerance of .005" to grinding sleeve for maximum grind ability.

Grinding Sleeve

8" diameter, cast chrome alloy, heat treated to 58-60 Rockwell C. 16 permanently affixed primary breakup lugs and 48 precision grinding teeth.

Waste Outlet

Waste outlet pipe size is 2".

Mounting Assemblies

See reverse page. Cones - 12", 15" or 18" diameter, corrosion-resistant stainless steel. Sink or trough adapter flange, stainless steel, 6" diameter. All mounting assemblies include specially-designed neoprene silencer which isolates disposers from metal-to-metal contact, absorbs vibration and greatly reduces noise level.

Adapters

Available for replacing other manufacturers' units with Bus Boy.

Agency Data

Bus Boy Model B2000 - 2 hp is Underwriters' Laboratories, Inc., listed.

Warranty

Warranted for one year covering parts and labor. All installations MUST be made in accordance with applicable local codes.

Approximate Weight

90 lbs. shipping.

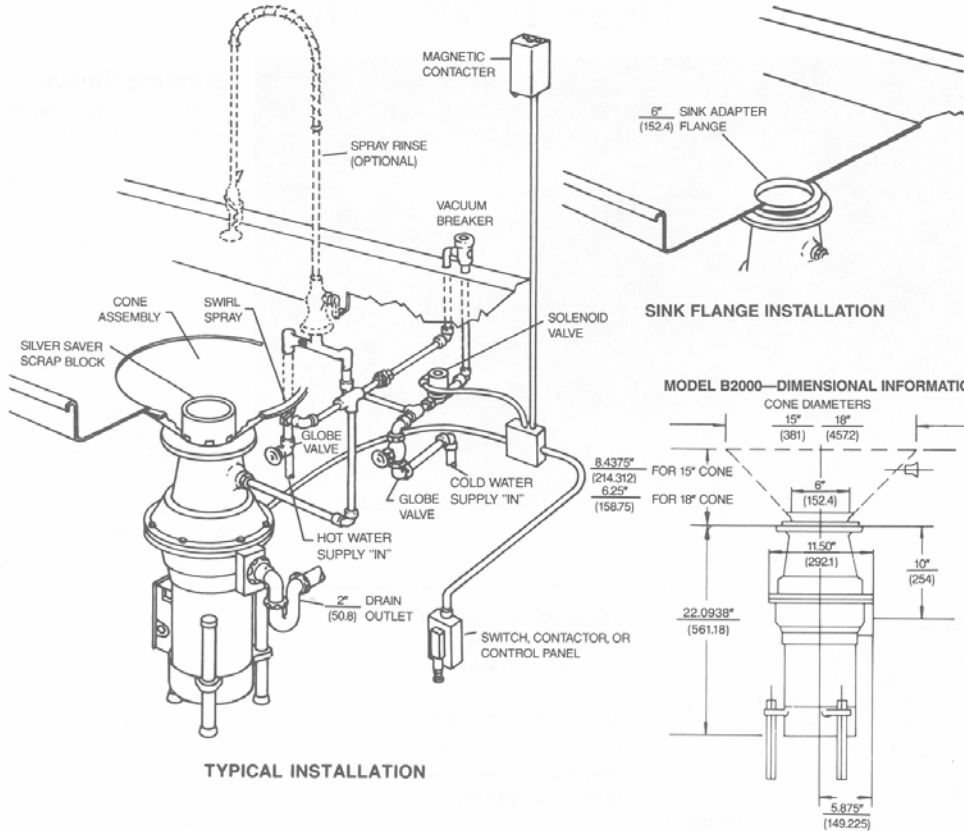
Accessories

Consult Price List for Accessories, Cut-Down and Alternate Hoppers.

Commercial Disposer Model B2000 - 2 hp

We reserve the right to change specifications and product design without notice. Such revisions do not entitle the buyer to corresponding changes, improvements, additions or replacements for previously purchased equipment.

NOTE: ALL FIGURES IN PARENTHESES ARE IN MILLIMETERS.



Bus Boy

by NEMCO

Printed in U.S.A.

1/01

NEMCO FOOD EQUIPMENT
301 Meuse Argonne
Hicksville, OH 43526 USA