

BusBoy by

NEMCO
FOOD EQUIPMENT

Commercial Food Waste
Disposer Systems

JOB _____ ITEM # _____

Commercial Disposer Model B250 - 1/2 hp



Application

The Bus Boy Model B250 - 1/2 hp disposer is designed for mounting to standard sinks with 3 1/2" openings. For use in pot and pan sinks, salad and vegetable preparation tables where the overall volume of food waste is light.

Motor

Continuous duty 1/2 hp, totally enclosed for maximum protection against moisture. Fan-cooled with integral thermal overload protection. Dual voltage motors available in single phase 115/230 volts, 60 cycle or three phase 208/220/440 volts, 60 cycle. See Motor Data. Permanently lubricated bearing systems.

Motor Data

Model B250 - 1/2 hp - 1725 rpm (60 cycle).

Single Phase: 115/230 Volts, 8.6/4.3 Amps. Overload Protection in Motor standard.

Three Phase: 208/220-440 Volts, 2.1/1.0 Amps. Overload Protection in Motor standard.

Motor Shaft Seals

Independent motor shaft seal provides protection of motor from water damage.

Hopper

Corrosion-resistant with auxiliary water inlet. 3 1/2" throat opening.

Grinding Table

5 7/16" diameter, dynamically balanced cast chrome alloy, heat treated to 56-58 Rockwell C. Two permanently affixed impact lugs. Precision-ground to a tolerance of .005" to grinding sleeve for maximum grind ability.

Grinding Sleeve

5 7/16" diameter, cast chrome alloy, heat treated to 58-60 Rockwell C. Six permanently affixed primary breakup lugs and 48 precision grinding teeth.

Waste Outlet

Waste outlet pipe size is 1 1/2".

Mounting Assemblies

See reverse page. Sink mounting to 3 1/2" sink opening. Specially-designed neoprene silencer which isolates disposers from metal-to-metal contact, absorbs vibration and greatly reduces noise level.

Recommended cold water requirement - 2 g.p.m.

Agency Listings

Bus Boy Model B250 - 1/2 hp is Underwriters' Laboratories, Inc., listed.

Warranty

Warranted for one year covering parts and labor. All installations MUST be made in accordance with applicable local codes.

Approximate Weight

36 lbs. shipping.

Accessories

Consult Price List for Accessories and Cut-Down Hoppers.

NEMCO FOOD EQUIPMENT
301 Meuse Argonne • Hicksville, OH 43526 USA
Phone (419) 542-7751 • Fax (419) 542-6690
Toll Free (800) 782-6761
www.nemcofoodequip.com

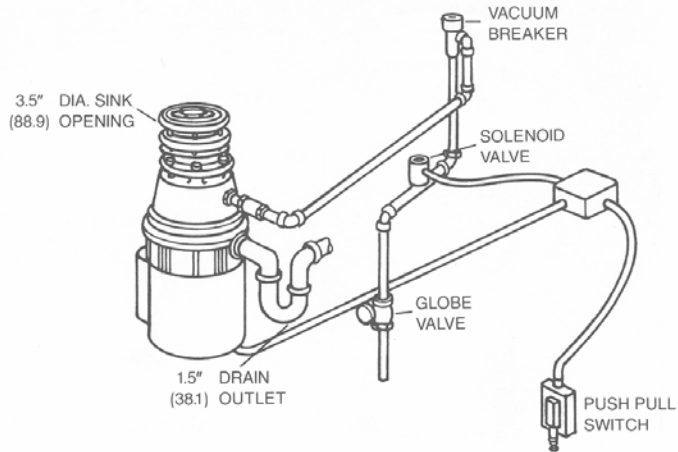
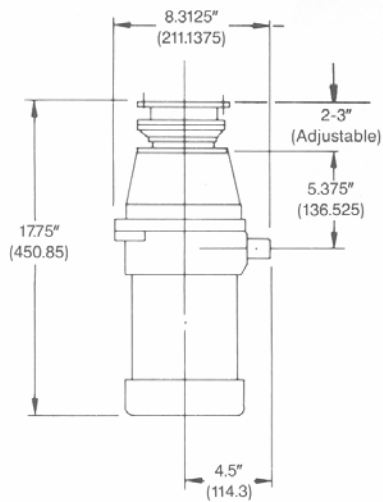
Commercial Disposer

Model B250 - 1/2 hp

We reserve the right to change specifications and product design without notice. Such revisions do not entitle the buyer to corresponding changes, improvements, additions or replacements for previously purchased equipment.

NOTE: ALL FIGURES IN PARENTHESES ARE IN MILLIMETERS.

MODEL B250 - DIMENSIONAL INFORMATION



TYPICAL INSTALLATION

BusBoy by

NEMCO
FOOD EQUIPMENT

Printed in U.S.A.

11/03

NEMCO FOOD EQUIPMENT
301 Meuse Argonne
Hicksville, OH 43526 USA