

# BusBoy by

**NEMCO**  
FOOD EQUIPMENT

Commercial Food Waste  
Disposer Systems

JOB \_\_\_\_\_ ITEM # \_\_\_\_\_

## Commercial Disposer Model B300 - 1/2 hp



### Application

The Bus Boy Model B300 - 1/2 hp disposer is designed for use at food preparation or dishwashing stations where the overall volume of food waste is light.

### Motor

Continuous duty 1/2 hp, totally enclosed for maximum protection against moisture. Fan-cooled with integral thermal overload protection. Dual voltage motors available in single phase 115/230 volts, 60 cycle or three phase 208/220/440 volts, 60 cycle. See Motor Data. Permanently lubricated bearing systems.

### Motor Data

Model B300-1/2 hp - 1725 rpm (60 cycle).

**Single Phase:** 115/230 Volts, 8.6/4.3 Amps. Overload Protection in Motor.

**Three Phase:** 208/220-440 Volts, 2.1/1.0 Amps. Overload Protection in Motor.

### Motor Shaft Seals

Dual independent motor shaft seal provides double protection of motor from water damage.

### Hopper

Corrosion-resistant with auxiliary water inlet. 6" throat opening.

### Grinding Table

5 9/16" diameter, dynamically balanced cast chrome alloy, heat treated to 56-58 Rockwell C. Two permanently affixed impact lugs. Precision-ground to a tolerance of .005" to grinding sleeve for maximum grind ability.

### Grinding Sleeve

5 9/16" diameter, cast chrome alloy, heat treated to 58-60 Rockwell C. Six permanently affixed primary breakup lugs and 48 precision grinding teeth.

### Waste Outlet

Waste outlet pipe size is 1 1/2".

### Mounting Assemblies

See reverse page. Cones - 12", 15" or 18" diameter, stainless steel. Sink or trough adapter flange, stainless steel, 6" diameter. All mounting assemblies include specially-designed neoprene silencer which isolates disposers from metal-to-metal contact, absorbs vibration and greatly reduces noise level.

### Adapters

Available for replacing other manufacturers' units with Bus Boy.

### Agency Listings

Bus Boy Model B300 - 1/2 hp is Underwriters' Laboratories, Inc., listed.

### Warranty

Warranted for one year covering parts and labor. All installations MUST be made in accordance with applicable local codes.

### Approximate Weight

36 lbs. shipping.

### Accessories

Consult Price List for Accessories, Cut-Down, and Alternate Hoppers.

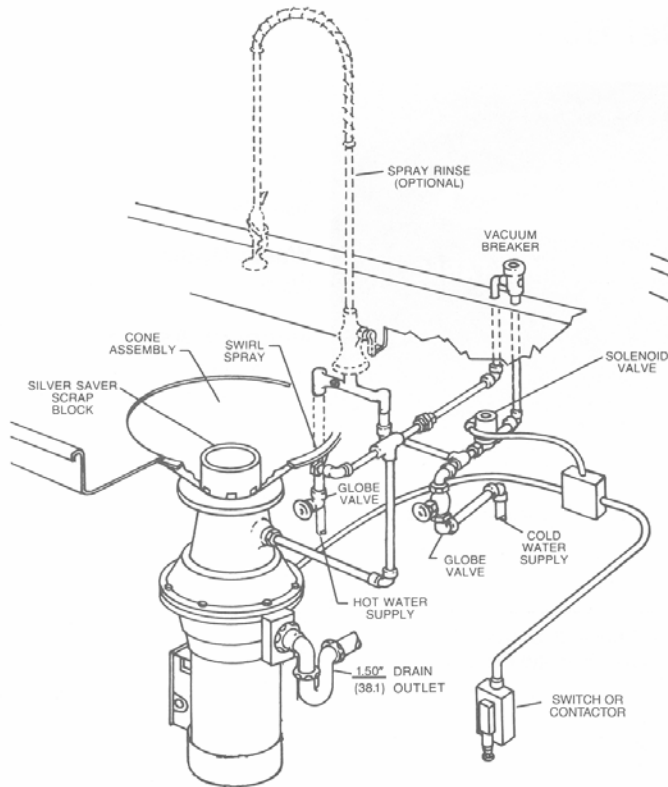
NEMCO FOOD EQUIPMENT  
301 Meuse Argonne • Hicksville, OH 43526 USA  
Phone (419) 542-7751 • Fax (419) 542-6690  
Toll Free (800) 782-6761  
[www.nemcofoodequip.com](http://www.nemcofoodequip.com)

# Commercial Disposer

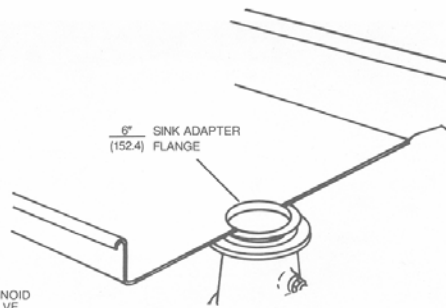
## Model B300 - 1/2 hp

We reserve the right to change specifications and product design without notice. Such revisions do not entitle the buyer to corresponding changes, improvements, additions or replacements for previously purchased equipment.

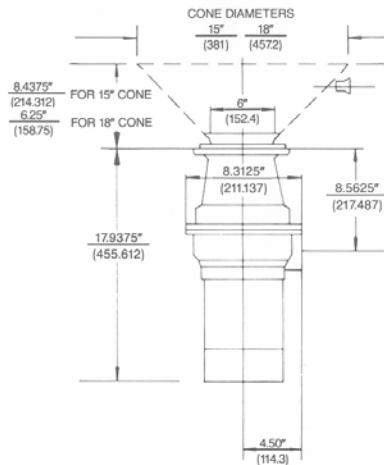
NOTE: ALL FIGURES IN PARENTHESES ARE IN MILLIMETERS.



TYPICAL INSTALLATION



### MODEL B300 - DIMENSIONAL INFORMATION



**BusBoy by**

**NEMCO**  
FOOD EQUIPMENT